

COASTER
Fine Furniture®

4038

VANITY SET

ASSEMBLY INSTRUCTIONS
COASTER FINE FURNITURE



www.coastercompany.com

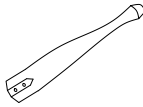
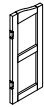
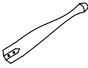
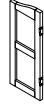
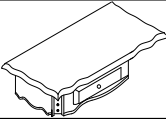
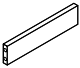
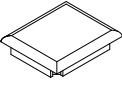

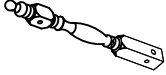
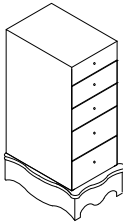
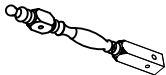
ASSEMBLY TIPS

- 1.Remove hardware from box and sort by size.
- 2.Please check to see that all hardware and parts are present prior to start of assembly.
- 3.Please follow attached instructions in the same sequence as numbered to assure fast & easy assembly.



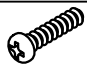


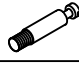



▲ Warning !

- 1.Don't attempt to repair or modify parts that are broken or defective.please contact the store immediatly.
- 2.This product is for home use only and not intended for commercial establishment.

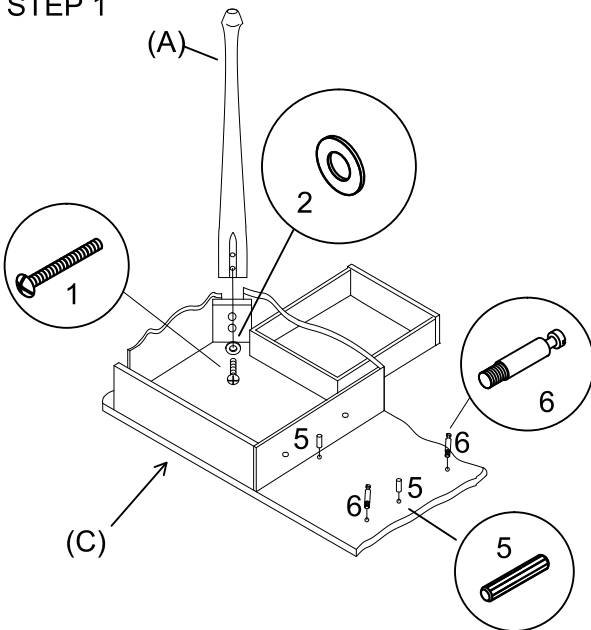
PARTS IDENTIFICATION

(A)		LONG LEG	2PCS	(G)		RIGHT PHOTO FRAME	1PC
(B)		SHORT LEG	4PCS	(H)		LEFT PHOTO FRAME	1PC
(C)		VANITY TOP	1PC	(I)		RAIL	1PC
(D)		STOOL	1PC	(J)		MIRROR FRAME	1PC
(E)		LEFT POST	1PC	(K)		ARMOIRE	1PC
(F)		RIGHT POST	1PC				

HARDWARE PACKAGE

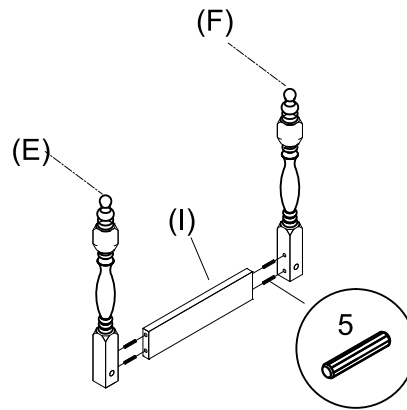
(Z)				
1	BOLTS-LARGE		∅ 1/4"*2"	12PCS
2	WASHER		∅ 1/4"*16MM	12PCS
3	SCREWS		∅ 5/16"*1"	2PCS
4	CAM NUT		∅ 1/4"*13MM	2PCS
5	WOOD DOWEL		∅ 8*20mm	8PCS
6	METAL CAM SCREW		∅ 3*35mm	2PCS
7	CAM LOCK		∅ 15*12mm	2PCS
8	BOLTS-SMALL		∅ 1/4"*1"	2PCS
9	BOLTS-MEDIUM		∅ 1/4"*1-3/4"	2PCS

STEP 1



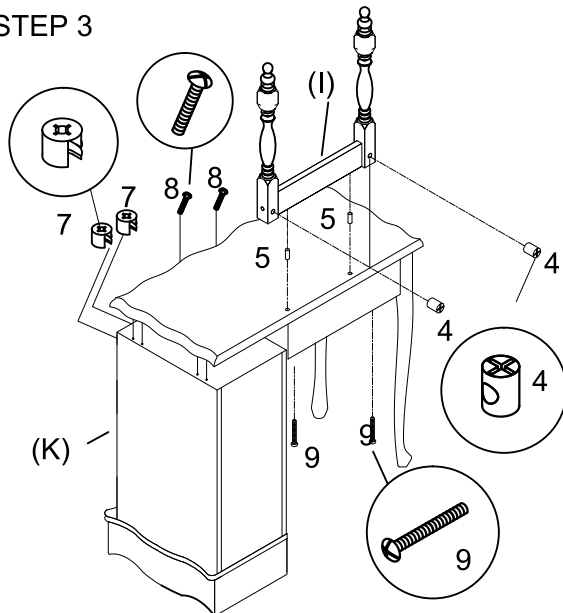
Step 1 Place Vanity top (C) upside down and slide drawer outward, attach two long legs (A) by using machine bolts (1) and washers (2). then insert wood dowels (5) and metal cam screws (6) into the holes of Vanity top.

STEP 2



Step 2 Insert wood dowels (5) into the holes of rail (I) and tighten into mirror posts (E, F).

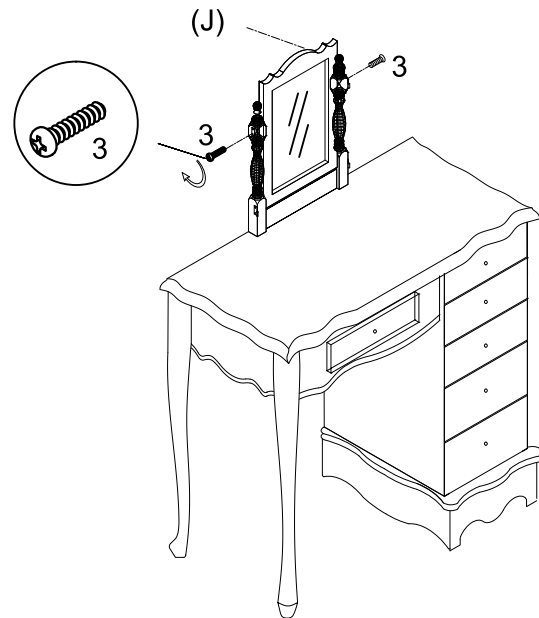
STEP 3



Step 3 Lift Vanity top (C) to align with the armoire (K) using cam lock (7) and machine bolts (8).

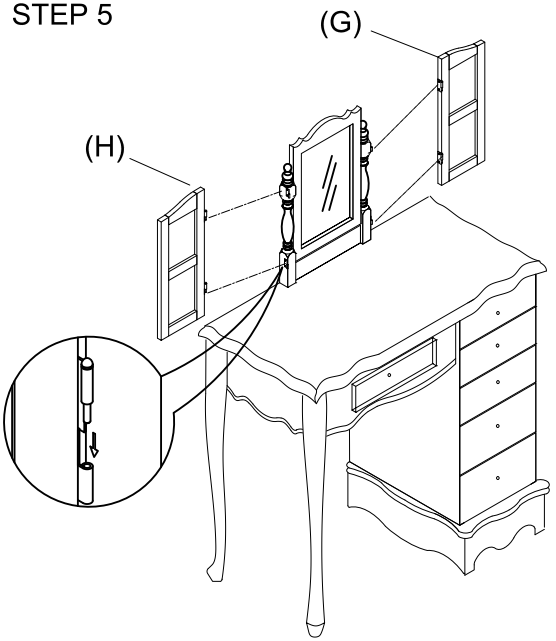
Mount rail (I) and mirror posts (E, F) to the vanity top, then insert wood dowels (5), cam nuts (4) and machine bolts (9).

STEP 4



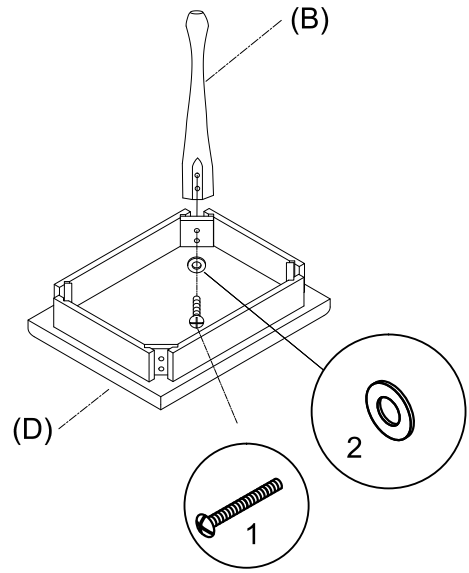
Step 4 Position mirror frame (J) between mirror posts then insert two screws (3) and tighten it.

STEP 5



Step 5 Lift photo frame (G,H) hinges into the mirror posts (E,F) hinges to complete the assembly.

STEP 6



Step 6 Place stool (D) upside down and attach four short legs (B) by using machine bolts (1) and washers (2).

STEP 7

