

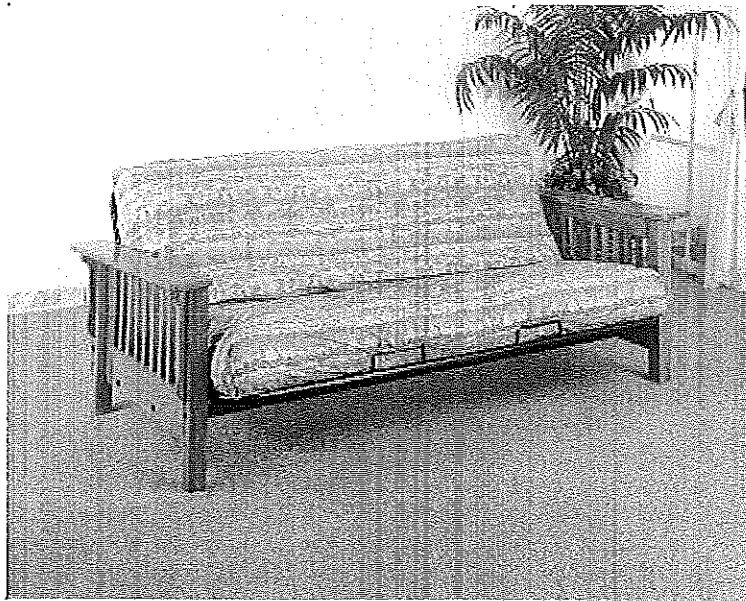
**COASTER.**  
*Fine Furniture*

**4844B1**

**FUTON ARM**

---

**ASSEMBLY INSTRUCTION  
COASTER FINE FURNITURE**



**[www.coastercompany.com](http://www.coastercompany.com)**

# Assembly Instruction



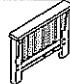



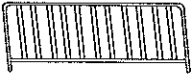

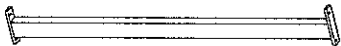
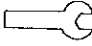
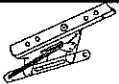

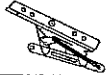

## ASSEMBLY TIPS:

1. Remove hardware from box and sort by size.
2. Please check to see that all hardware and parts are present prior to start of assembly.
3. Please follow attached instructions in the same sequence as numbered to assure fast & easy assembly.

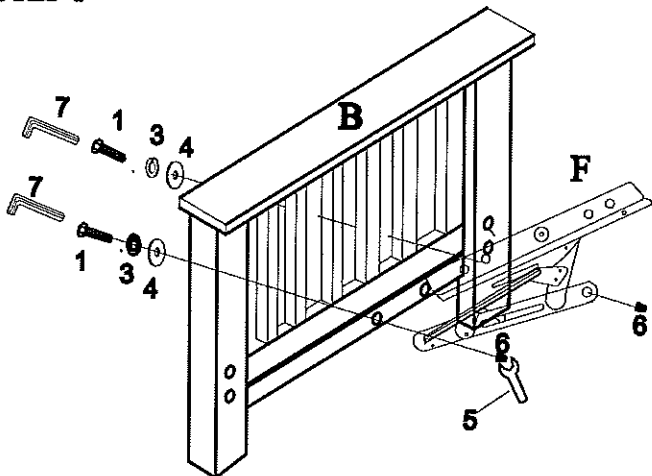


### Warning !

1. Don't attempt to repair or modify parts that are broken or defective. Please contact the store immediately.
2. This product is for home use only and not intended for commercial establishment.

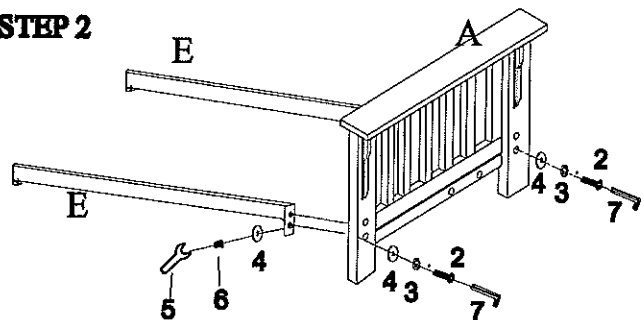
PARTS IDENTIFICATION:			Z	HARDWARE PACKAGE	
A	RIGHT SIDE ARM	 1 PC	1	BOLTS-SMALL	 4PCS
B	LEFT SIDE ARM	 1 PC	2	BOLTS-LARGE	 8PCS
C	SEAT FRAME	 1 PC	3	LOCK WASHERS	 12PCS
D	BACK FRAME	 1 PC	4	FLAT WASHERS	 22PCS
E	CROSS BAR	 2 PCS	5	HEX-HEAD NUT	 1PC
F	RIGHT MECHANISM	 1 PC	6	HOOK	 12PCS
G	LEFT MECHANISM	 1 PC	7	ALLEN WRENCH	 1PC

### STEP 1

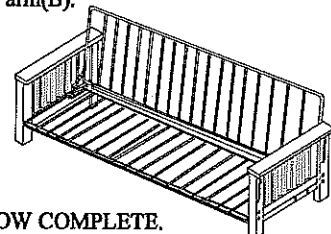


Aattach the bolt(1)through the lock washer(3), flat washer(4)and left side arm(B),right mechanism(F)with hook tighten with hex-head nut(5). The same of the right side arm(A).

### STEP 2



Aattach the bolt(2)through the lock washer(3), flat washer(4)and right side arm(A),stretcher(E)with hook(6) tighten with hex-head nut(5). The same of the left side arm(B).



THE ASSEMBLY IS NOW COMPLETE.