

COASTER 601712P
Fine Furniture®

POWER LOVESEAT WITH CONSOLE

ASSEMBLY INSTRUCTION



www.coastercompany.com

Assembly Instruction

ASSEMBLY TIPS:

1. Remove hardware from box and sort by size.
2. Please check to see that all hardware and parts are present prior to start of assembly.
3. Please follow attached instructions in the same sequence as numbered to assure fast & easy assembly.

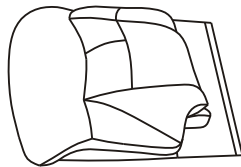


Warning !

1. Do not attempt to repair or modify parts that are broken or defective. Please contact the store immediately.
2. This product is for home use only and not intended for commercial establishment.

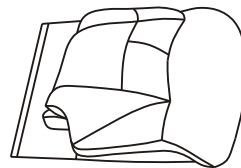
PARTS IDENTIFICATION

(A)



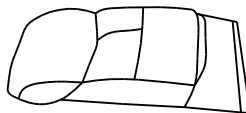
LEFT BACK 1PC

(B)



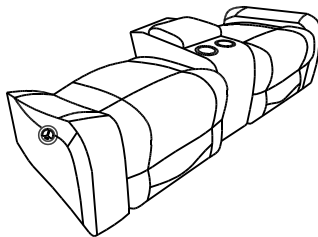
RIGHT BACK 1PC

(C)



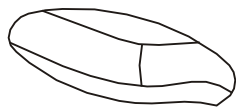
CONSOLE BACK 1PC

(D)



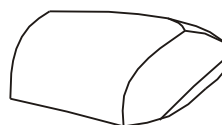
BASE 1PC

(E)



LEFT ARMREST 1PC

(F)

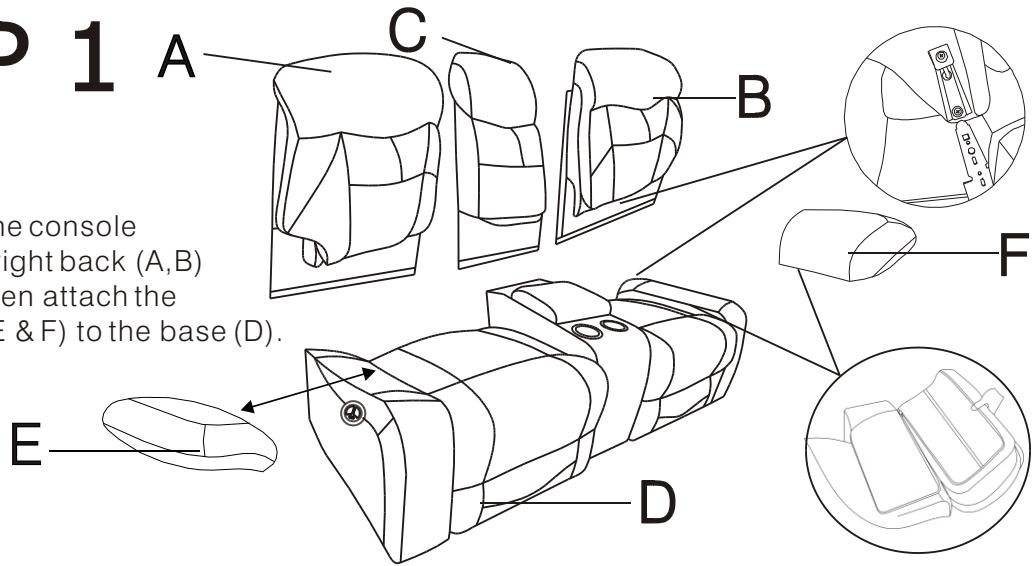


RIGHT ARMREST 1PC

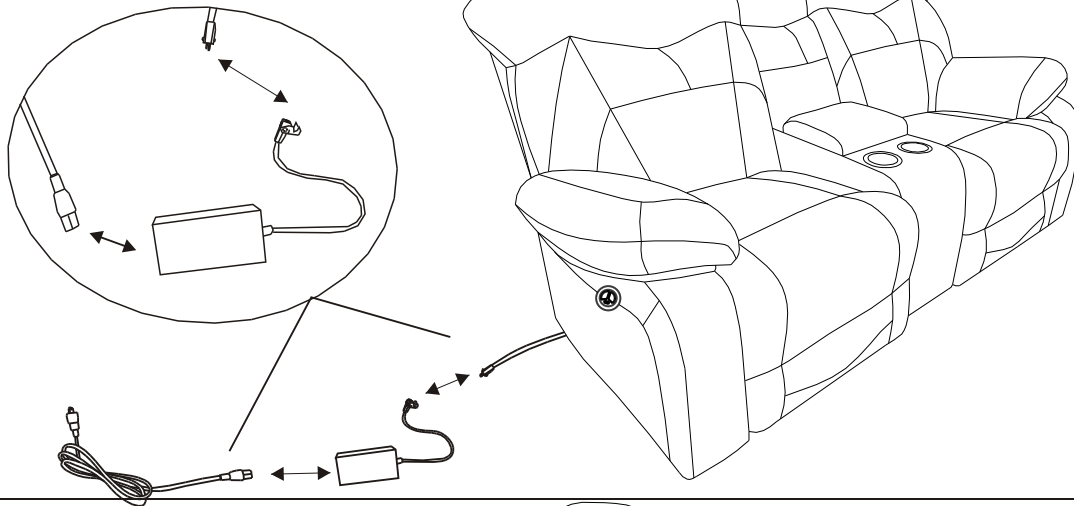
IT NEEDS TWO PERSONS AND TAKES ABOUT SIX MINUTES TO ASSEMBLE THE ITEM

STEP 1

Align and attach the console back (C) and left/right back (A,B) to the base (D). Then attach the left/right armrest (E & F) to the base (D).



STEP 2



STEP 3

