

# ASSEMBLY INSTRUCTIONS

ITEM NO : 7710-CHAR PIERCE CHAIR SIDE TABLE

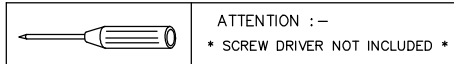
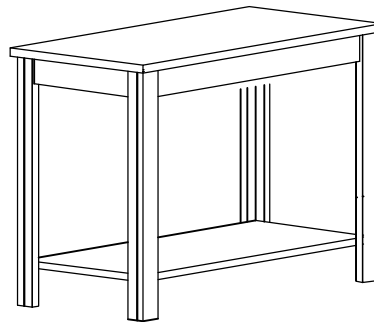
Read instruction carefully . Remove all wrapping material , staples and packing straps from the carton . See Furniture Parts List and Hardware List for guidance . Be sure you have all parts before you start assembling . Place all wooden furniture parts on a clean flat soft surface , such as carpet or rug to prevent from being scratched .

## PARTS LIST

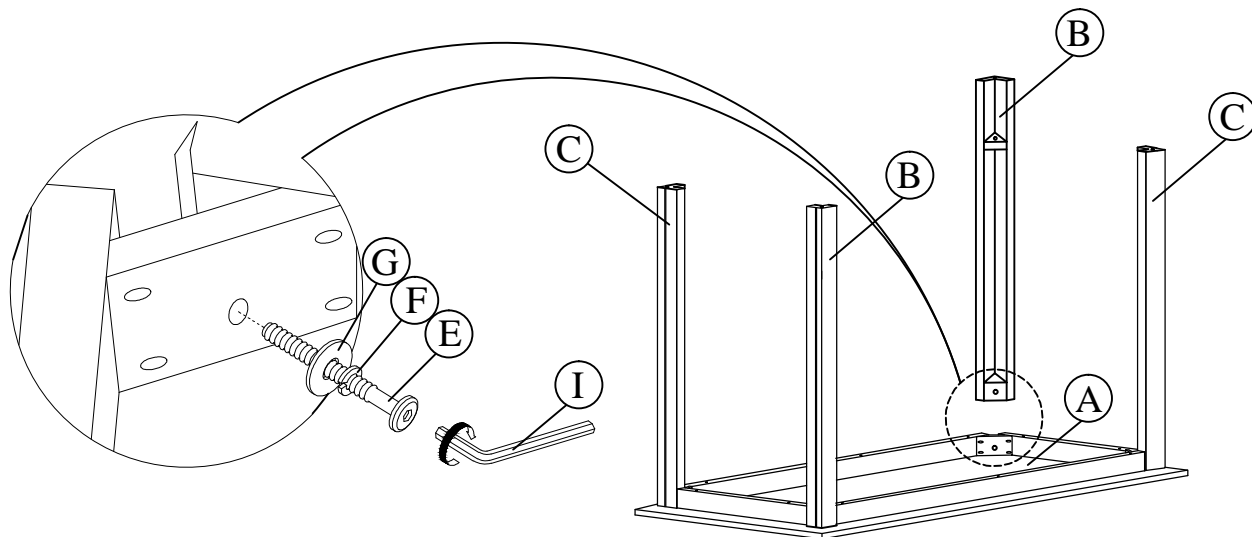
NO	DESCRIPTION	QTY
A	TABLE TOP WITH APRON	1 PC
B	TABLE LEG - "(CL)"	2 PCS
C	TABLE LEG - "(CR)"	2 PCS
D	SHELF	1 PC

## HARDWARE LIST

NO	DESCRIPTION	QTY
E	JCBC BOLT - M6 x 50MM	4 PCS
F	SPRING WASHER - 1/4"	4 PCS
G	FLAT WASHER - 1/4"	4 PCS
H	PAN HEAD SCREW - M4 x 25MM	4 PCS
I	ALLEN KEY	1 PC



## STEP 1



## STEP 2

