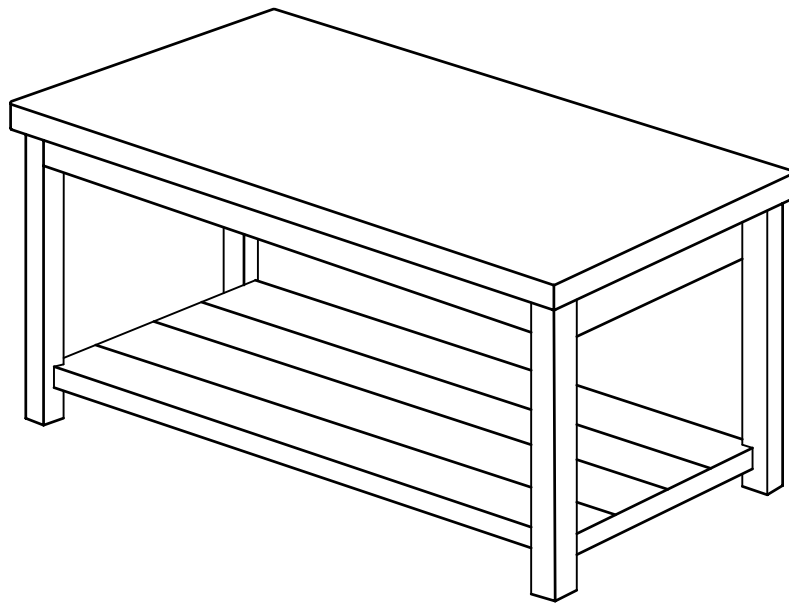

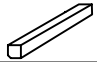








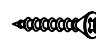
# ASSEMBLY INSTRUCTION

Item No: 4274-01



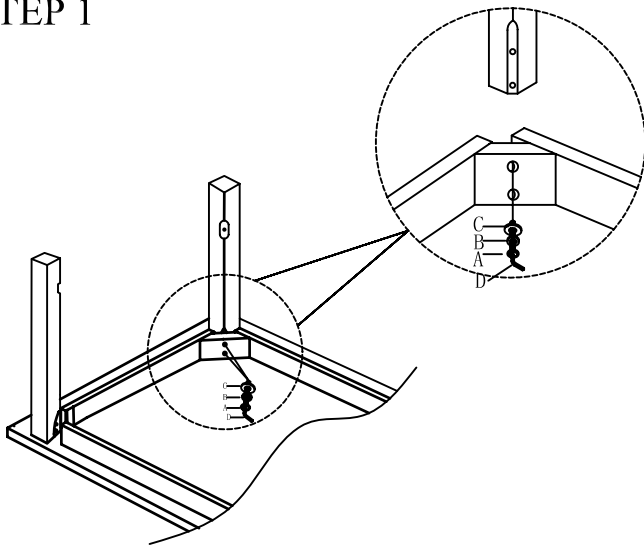
**Do not tighten screws until completely assembled.**

PARTS IDENTIFICATION			
NO	Name	Sketch	Quantity
1	Top		1 pc
2	Leg		4 pcs
3	Shelf		1 pc
4	Wheel		4 pcs

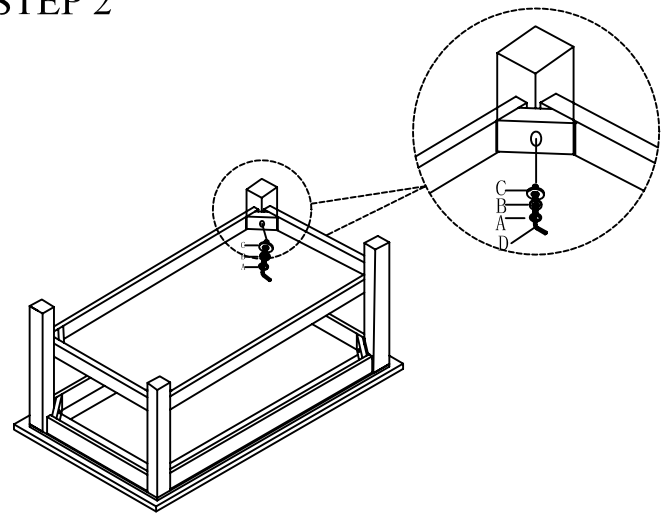
HARDWARE LIST				
NO	Name	Sketch	Specification	Quantity
A	Bolt		Ø5/16"*2-1/2"	12 pcs
B	Spring washer		Ø5/16"	12 pcs
C	Flat washer		Ø5/16"*19mm	12 pcs
D	Wrench		M5	1 pc
E	Screw		Wood Screw 3/4"	16PCS

2-1/2"

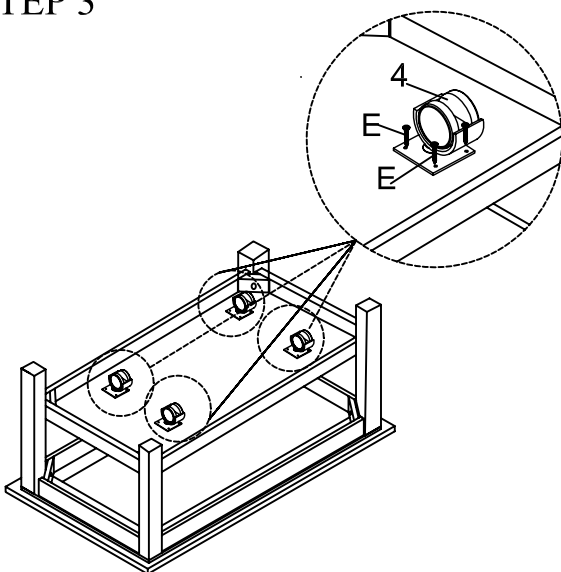
### STEP 1



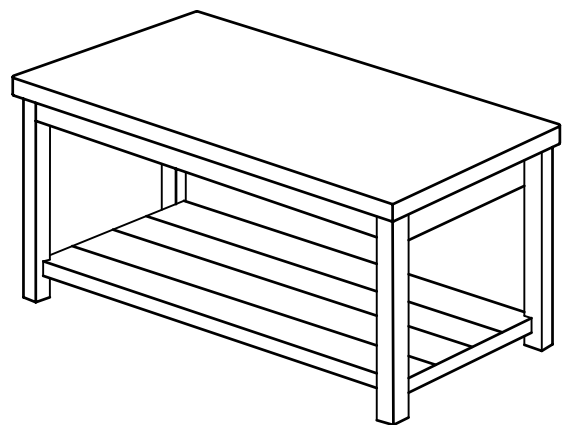
### STEP 2



### STEP 3



### STEP 4



**Do not tighten screws until completely assembled.**