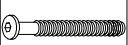










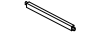



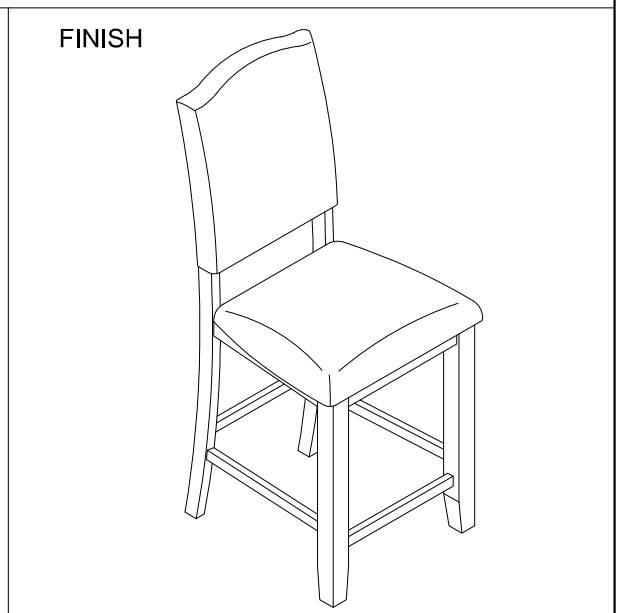
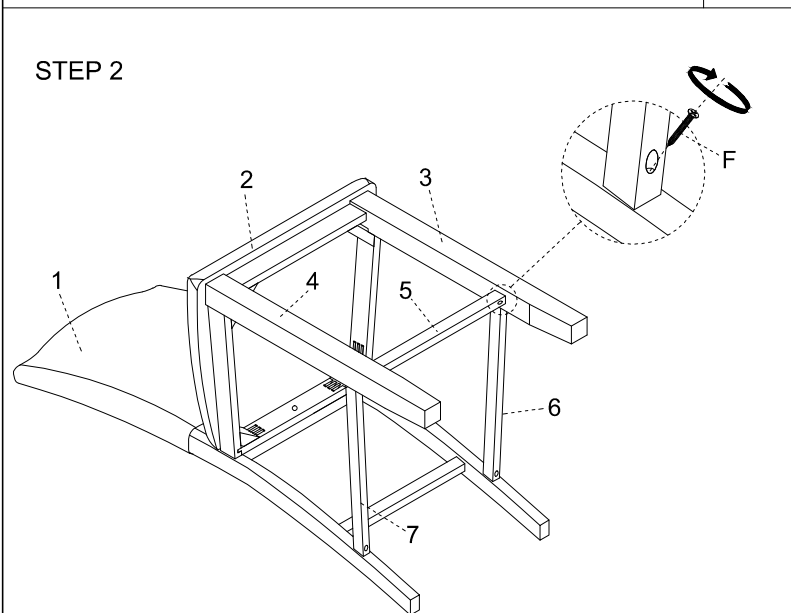
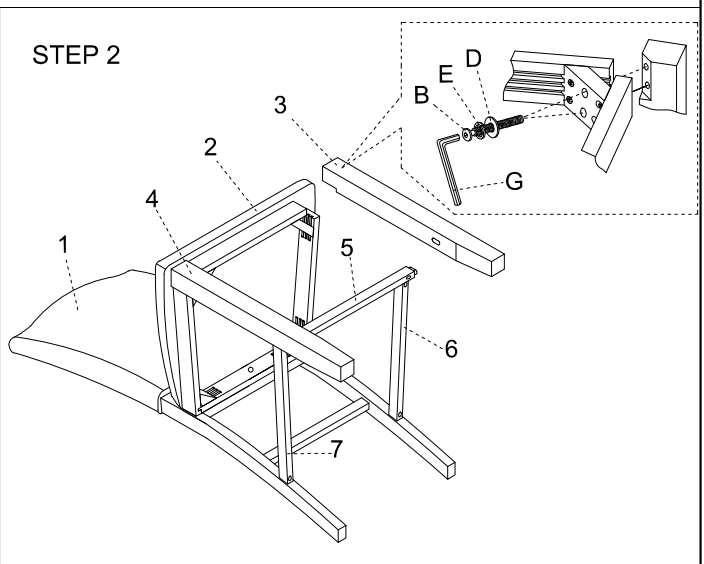
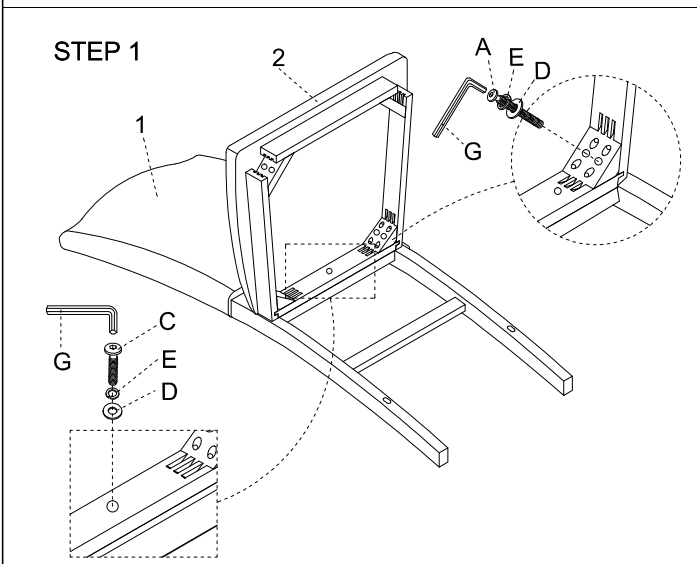
ASSEMBLY INSTRUCTION INSTRUCCIONES

2772S-24 (COUNTER HIGH CHAIR)

2772S-24 (SILLA ALTA DE MOSTRADOR)

HARDWARE LIST / LISTA DE TORNILLO			
A		BOLT (Ø5/16" x 18 x 3-1/8") (Chair back leg corner)	4PCS
B		BOLT (Ø5/16" x 18 x 2-3/8") (Front leg)	4PCS
C		BOLT (Ø5/16" x 18 x 1-1/2") (Chair back center)	1PC
D		FLAT WASHER (Ø5/16")	9PCS
E		LOCK WASHER (Ø5/16")	9PCS
F		SCREW (#8 x 1-1/2")	6PCS
G		ALLEN KEY (4mm)	1PC

PARTS LIST / LISTA DE PARTES			
1		CHAIR BACK	1PC
2		CUSHION WITH SEAT FRAME	1PC
3		RIGHT FRONT LEG	1PC
4		LEFT FRONT LEG	1PC
5		FRONT STRETCHER	1PC
6		RIGHT STRETCHER	1PC
7		LEFT STRETCHER	1PC



**DO NOT TIGHTEN ALL BOLTS UNTIL COMPLETELY ASSEMBLED !
NO APRETER LOS TORNILLOS HASTA ARMAR COMPLETAMENTE**