

ASSEMBLY INSTRUCTION

2752T - 4278 / 2752GY-T- 4278 COUNTER HEIGHT TABLE

Thank you for purchasing this quality product. Be sure to check all packing material carefully for small parts which may have come loose inside the carton during shipment. Identify and count all parts and compare with the Parts List below.



**Assemble the table on flat, soft surface such as carpet or cloth to prevent scratching table finish. Read all the instruction and study the drawings carefully before starting the assemble process.

Caution : Wipe up spills as soon as possible. Please wipe with dry rag right away.

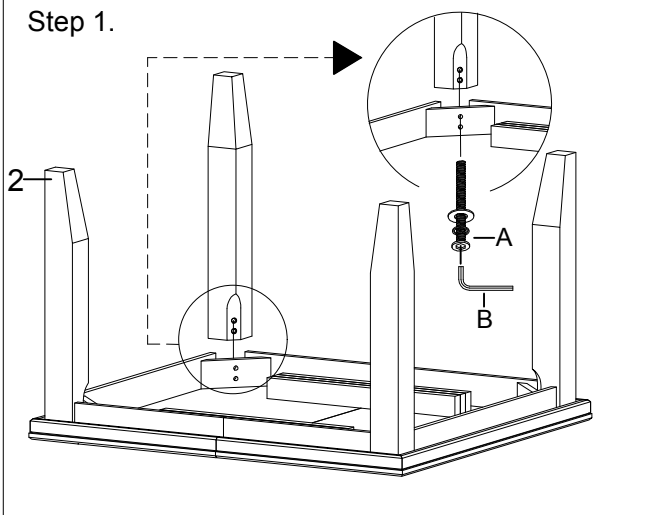
PARTS LIST

NO	DESCRIPTION	QTY
1	TABLE TOP	1
2	TABLE LEG	4
3	LEAF TOP	1

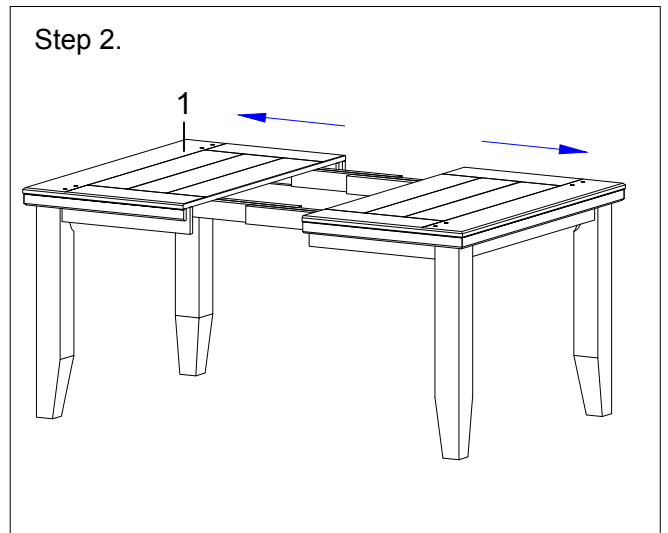
HARDWARE LIST

NO	DESCRIPTION	QTY
A	 JCBC SCREW (NYLOK) 5/16" x 2 1/2"	8
B	 ALLEN KEY M4	1

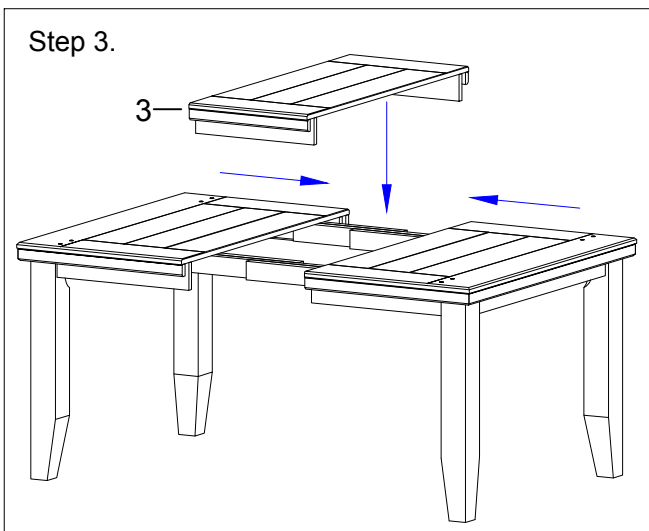
Step 1.



Step 2.



Step 3.



Step 4.

