

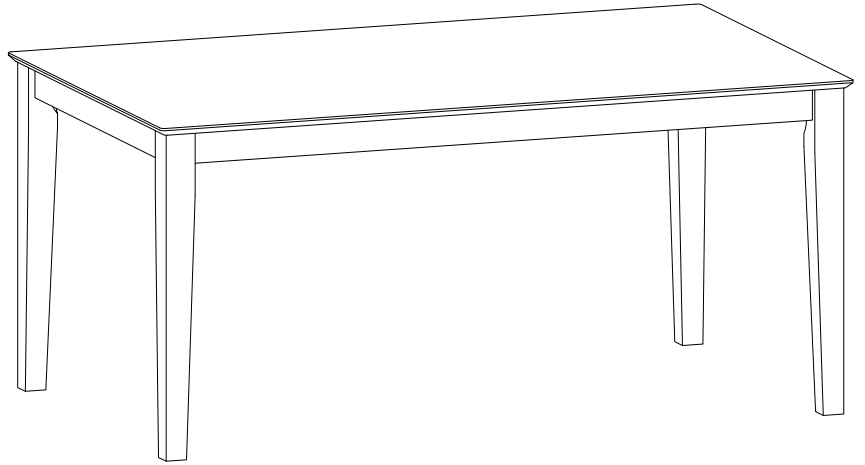


ASSEMBLY INSTRUCTIONS

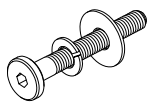

MODEL : 2309T-3864 ARLENE DINING TABLE

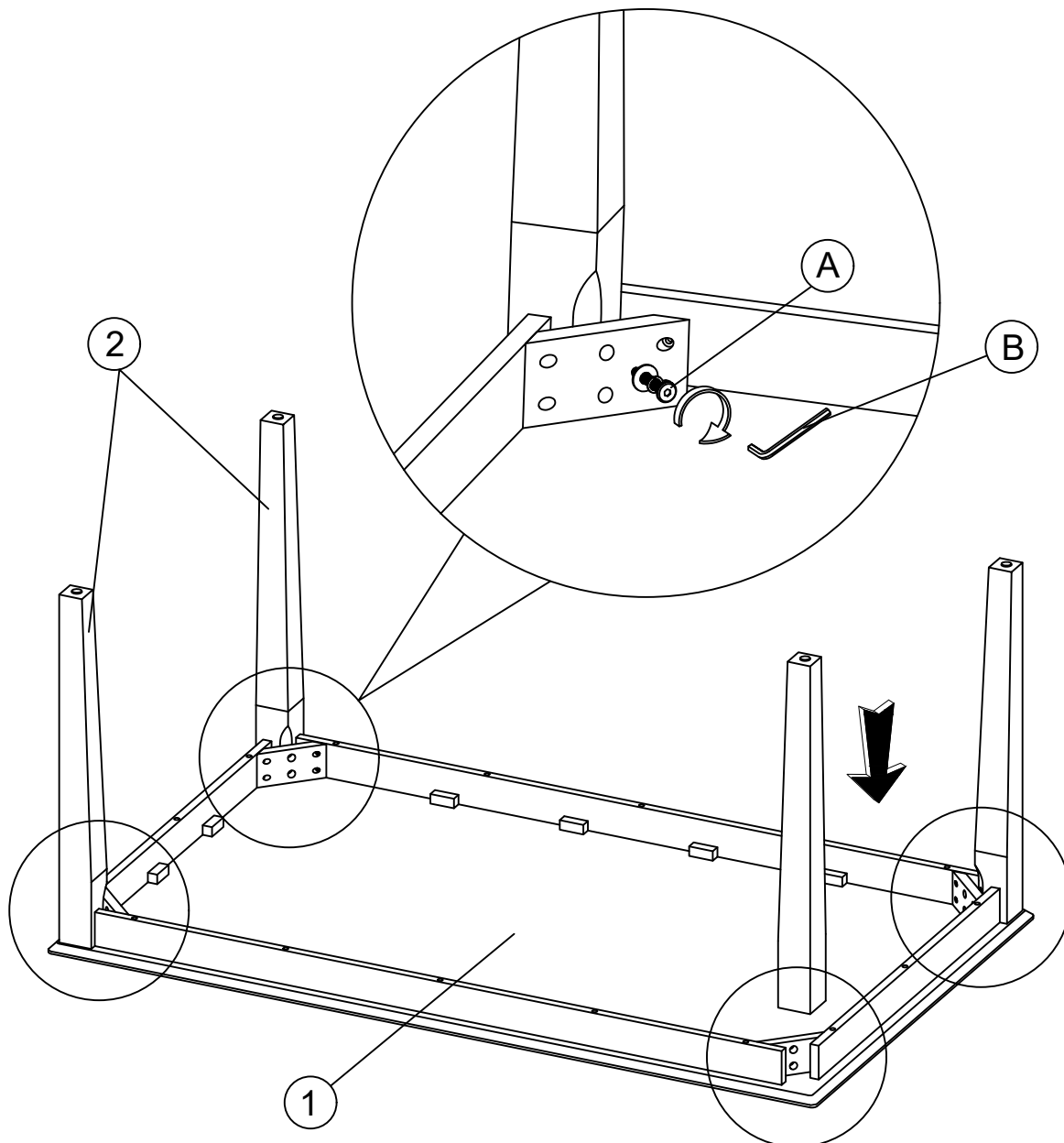
PART LIST

ITEM	PART NAME	QTY
1	Table Top & Apron 	1 PC
2	Leg 	4 PCS



HARDWARE LIST

ITEM	HARDWARE LIST	DESCRIPTION	QTY
A	JCBB M8 x 60 mm + Spring & Flat Washer 		8 PCS
B	Allen Key 		1 PC



THE HARDWARE IS LOCATED IN THE PACKING ITEMS