
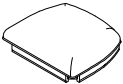



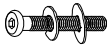
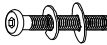
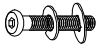

ASSEMBLY INSTRUCTIONS
INSTRUCCIONES

2264S DINING CHAIR
2264S SILLA DE COMEDOR

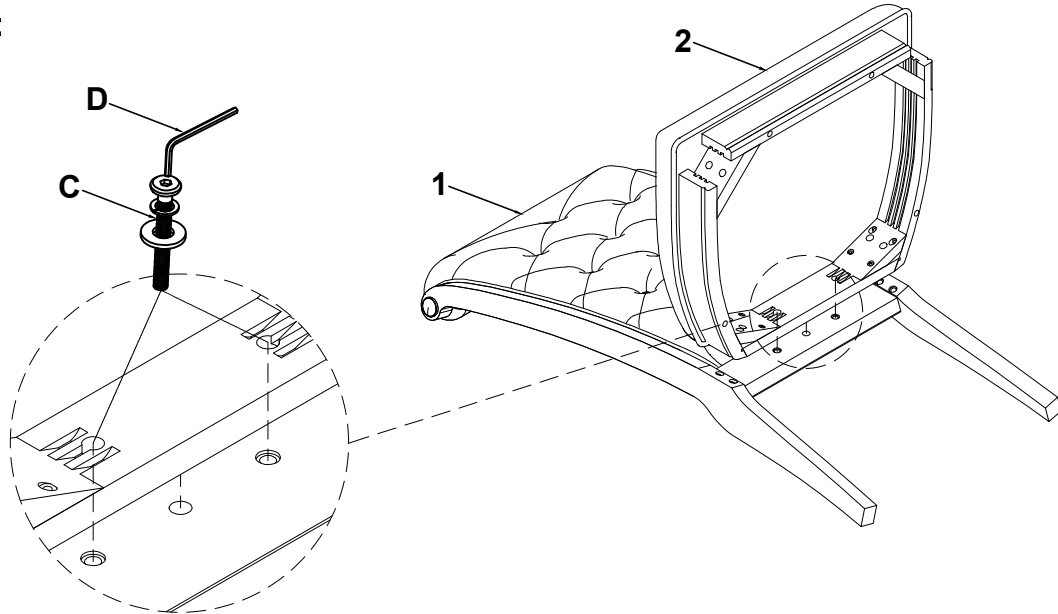
PARTS LIST

HARDWARE LIST

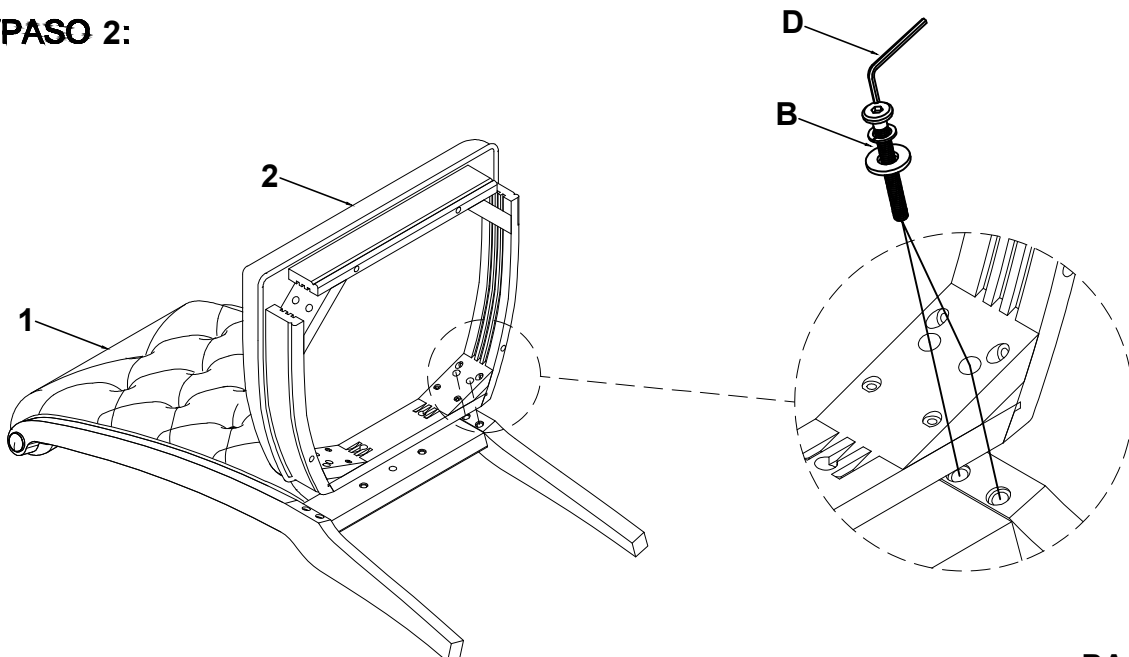
NO.	DESCRIPTION	SKETCH	QTY
1	Chair Back		1
2	Seat		1
3	Leg		2

NO.	DRAWING	DESCRIPTION	QTY
A		Ø1/4"-20x2-3/8"L (Front leg)	4
B		Ø1/4"-20x3"L (Chair back leg corner)	4
C		Ø1/4"-20x1-1/2"L (Chair back center)	2
D		M4 SMALL ALLEN KEY	1

STEP/PASO 1:

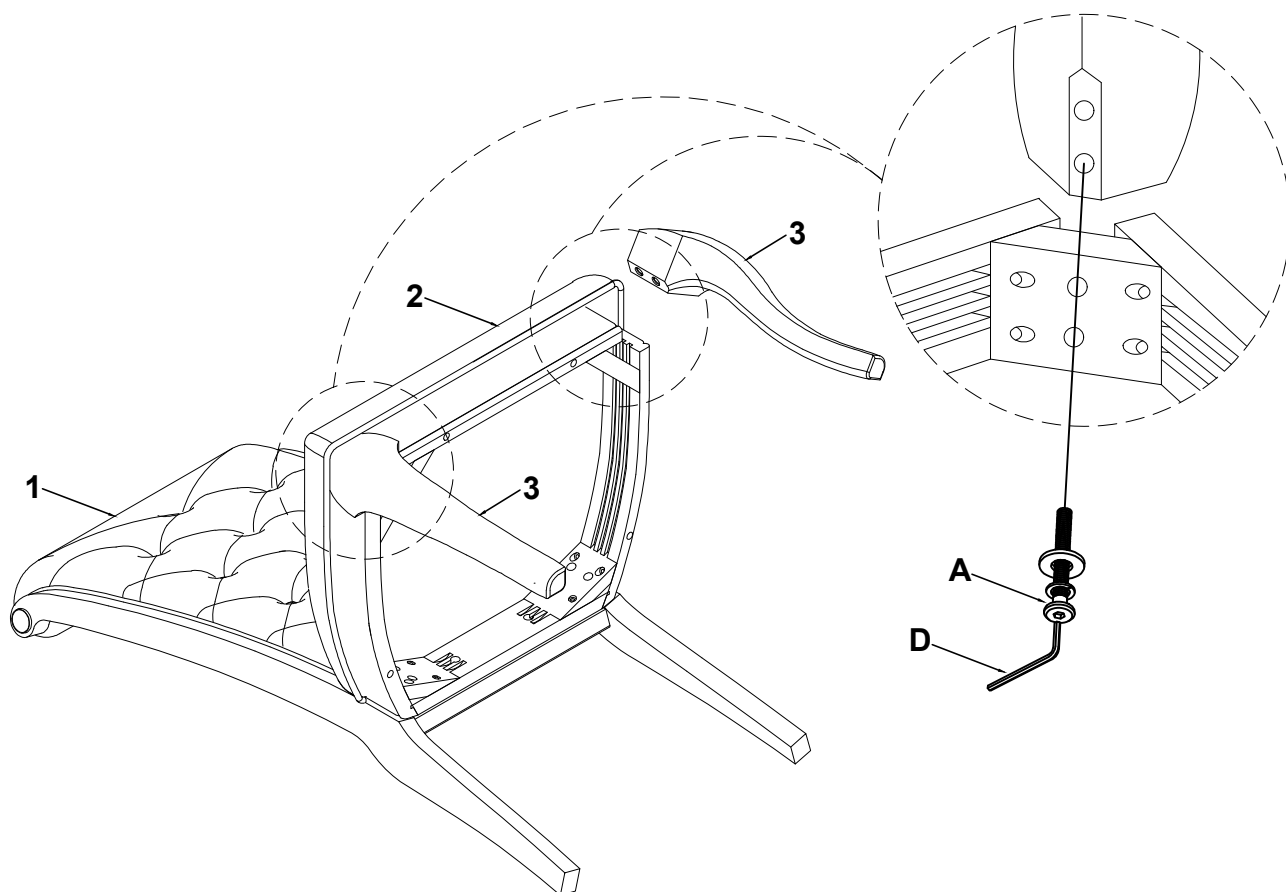


STEP/PASO 2:

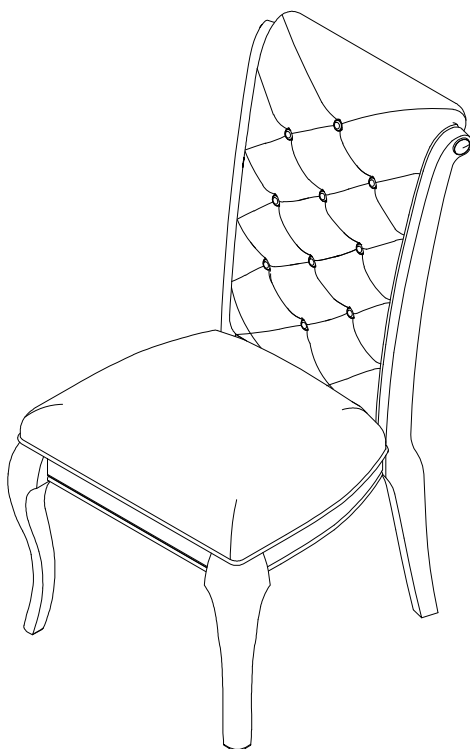


DO NOT TIGHTEN ALL BOLTS UNTIL COMPLETELY ASSEMBLED.
NO APRETAR LOS TORNILLOS HASTA ARMAR COMPLETAMENTE.

STEP/PASO 3:



STEP/PASO 4:



**DO NOT TIGHTEN ALL BOLTS UNTIL COMPLETELY ASSEMBLED.
NO APRETAR LOS TORNILLOS HASTA ARMAR COMPLETAMENTE.**