



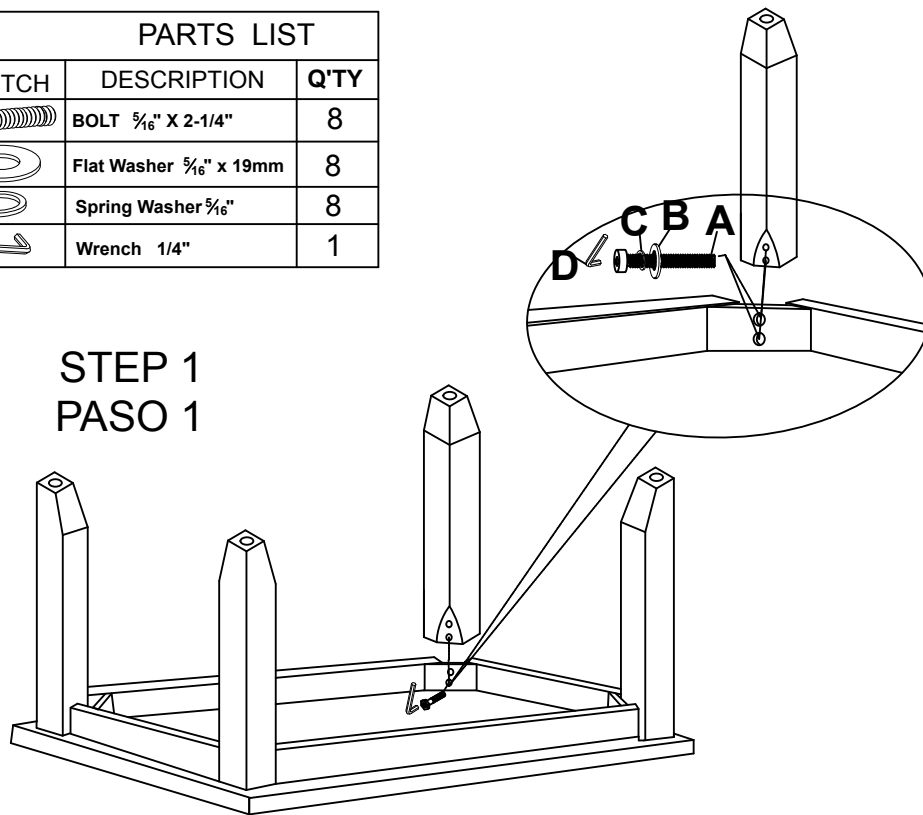


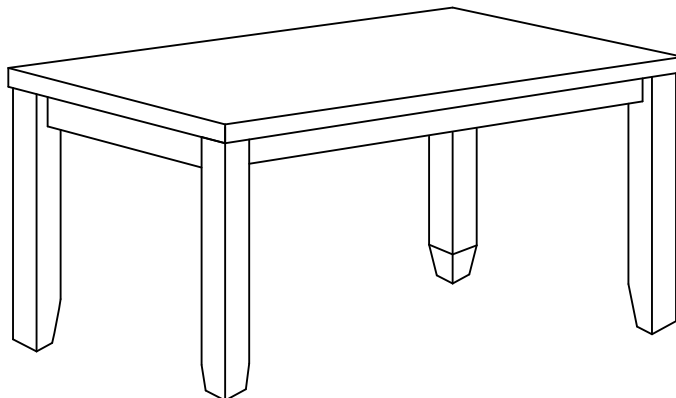
ASSEMBLY INSTRUCTION

INSTRUCCIONES

PARTS LIST			
NO.	SKETCH	DESCRIPTION	Q'TY
A		BOLT 5/16" X 2-1/4"	8
B		Flat Washer 5/16" x 19mm	8
C		Spring Washer 5/16"	8
D		Wrench 1/4"	1



STEP 2
PASO 2



DO NOT TIGHTEN SCREWS UNTIL COMPLETELY ASSEMBLED.
NO APRETAR LOS TORNILLOS HASTA ARMAR COMPLETAMENTE.