

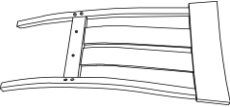
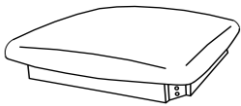
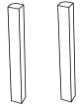
ASSEMBLY INSTRUCTIONS


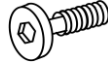




MODEL : 2131

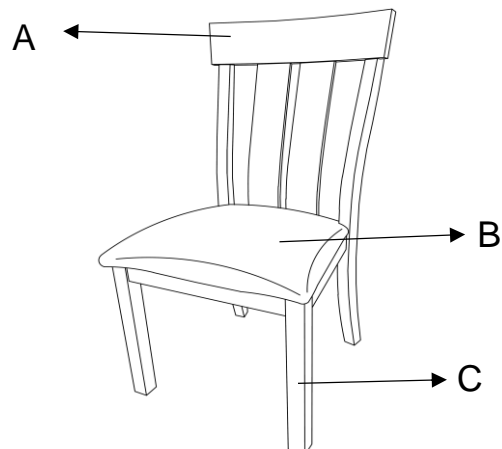
CRWN

2131S

Thank you for purchasing this quality product. Be sure to check all packing material carefully for small parts. Which may have come loose inside the carton during shipment. Identify and count all parts and compare with the hardware list as below.

Part List	No.	Picture	Description	Qty
	A		Back Rest	1 Pc
	B		Seater With Frame	1 Pc
	C		Front Leg	2 Pcs

Hardware List	No.	Picture	Description	Qty
	1		Allen Wrench	1 Pc
	2		Short Bolt	2 Pcs
	3		Medium Bolt	4 Pcs
	4		Long Bolt	4 Pcs
	5		Lock Washer	10 Pcs
	6		Flat Washer	10 Pcs



PARTS DETAILS

THE HARDWARE IS LOCATED IN THE PACKING ITEMS.

ASSEMBLY INSTRUCTIONS

MODEL : 2131

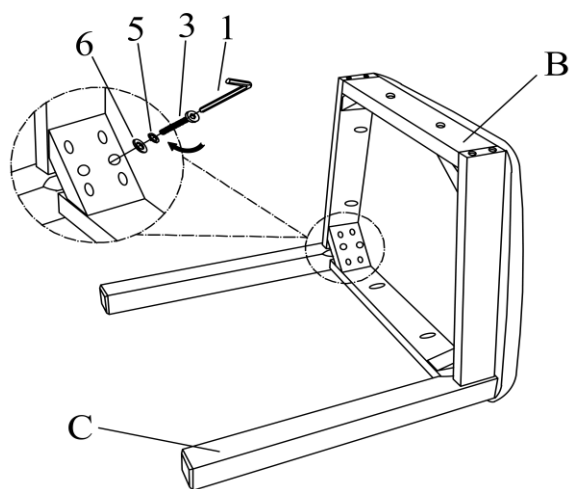
CRWN

2131S

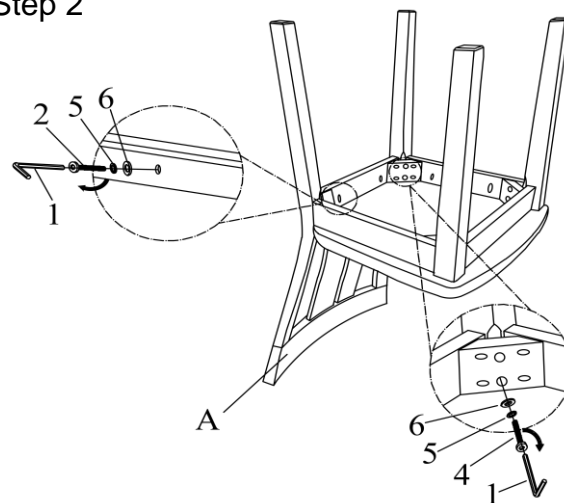
Thank you for purchasing this quality product. Be sure to check all packing material carefully for small parts which may have come loose inside the carton during shipment. Identify and count all parts and compare with the Part List as below.

NOTE: ASSEMBLE THE CHAIR ON A FLAT & SOFT SURFACE. DO NOT TIGHTEN ALL THE SCREWS UNTIL THE CHAIR HAS BEEN PUT A FLAT/HARD SURFACE ADJUST & LEVEL ALL THE LEGS SO THAT THEY DO NOT WOBBLE. ONCE ADJUSTED THEN TIGHTEN ALL THE SCREWS.

Step 1



Step 2



Step 3

