





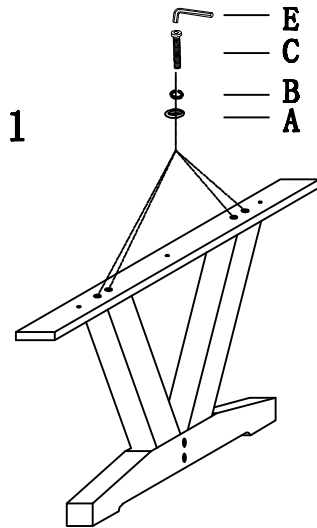


ASSEMBLY INSTRUCTION

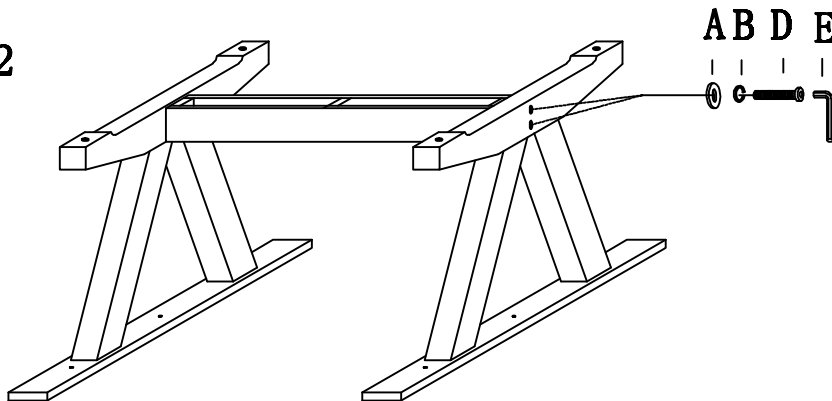
HARDWARE LIST

A		$\varnothing 5/16'' * 16$	18 pcs
B		$\varnothing 5/16''$	18 pcs
C		$\varnothing 5/16'' * 1-3/4''$	14 pcs
D		$\varnothing 5/16'' * 3-1/4''$	4 pcs
E		5mm	1 pcs
F		$\varnothing 20 * 13$	4 pcs

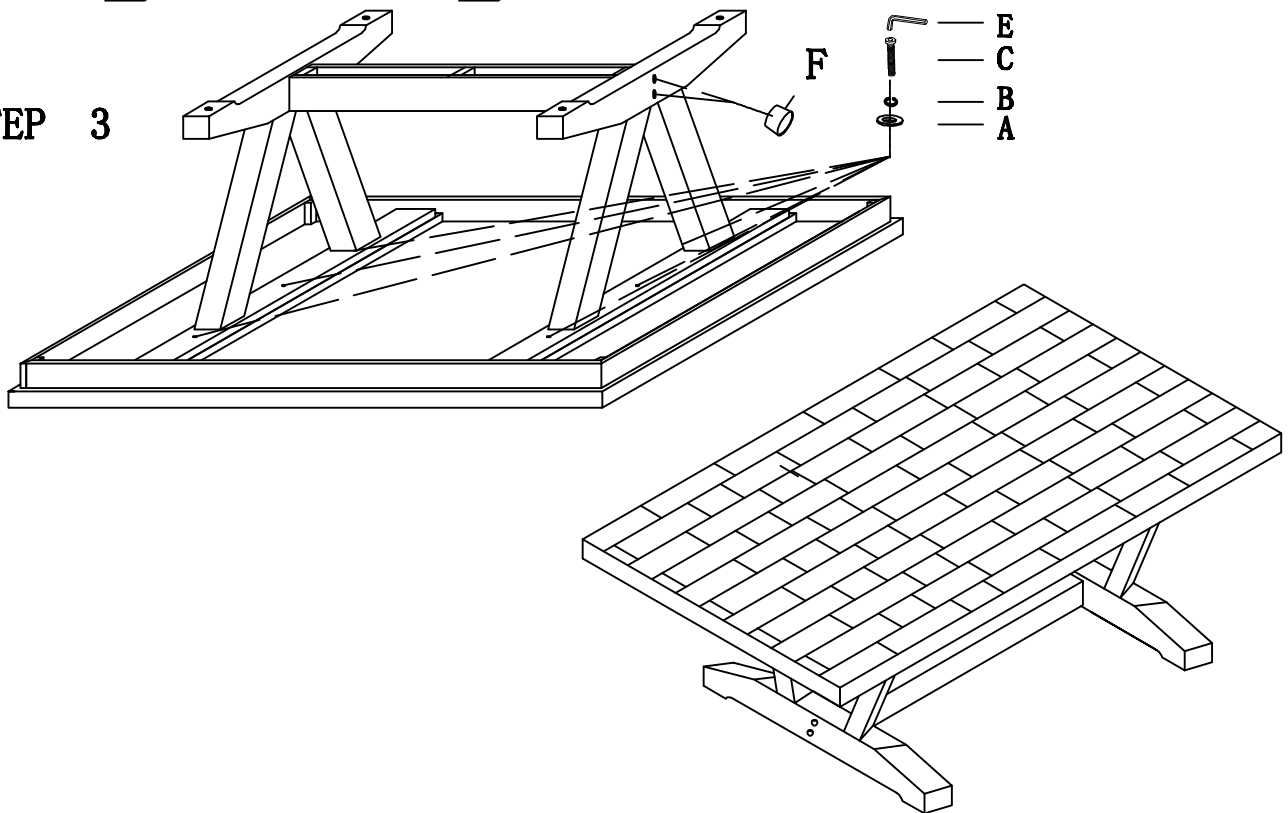
STEP 1



STEP 2



STEP 3



DO not tighten screws until completely assembled