

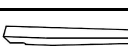






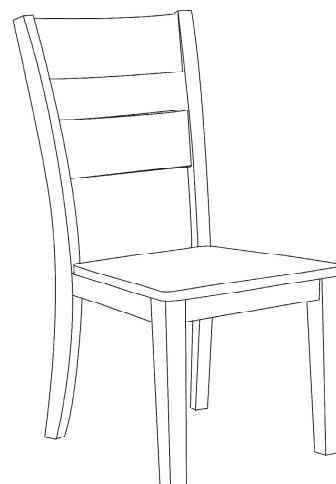
ASSEMBLY INSTRUCTIONS

ITEM NO : 1131S - DINING CHAIR

BOX OF DINING CHAIR

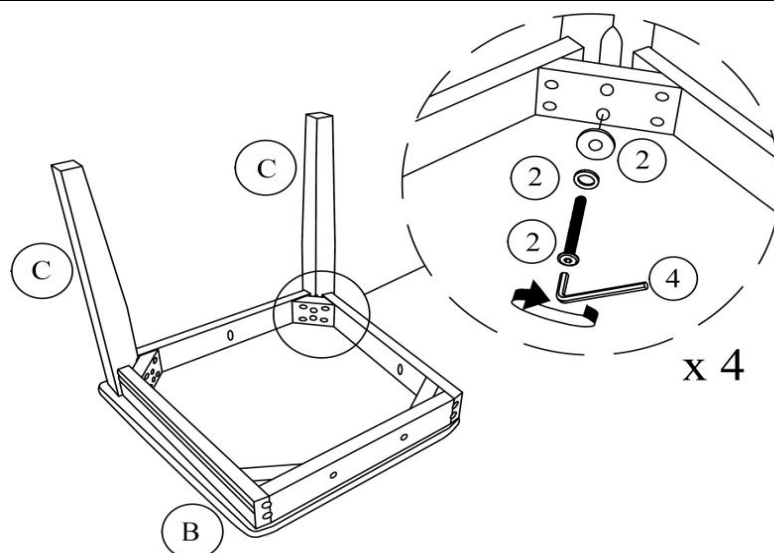
ITEM	DRAWING	DESCRIPTION	QTY
A		CHAIR BACK	1
B		BOX FRAME WITH SEAT	1
C		FRONT LEG	2

ITEM	DRAWING	DESCRIPTION	QTY
1		JCBC M6 X 35mm with Spring Washer and Washer	1
2		JCBC M6 X 80mm with Spring Washer and Washer	4
3		JCBC M6 X 60mm with Spring Washer and Washer	4
4		Allen Key	1

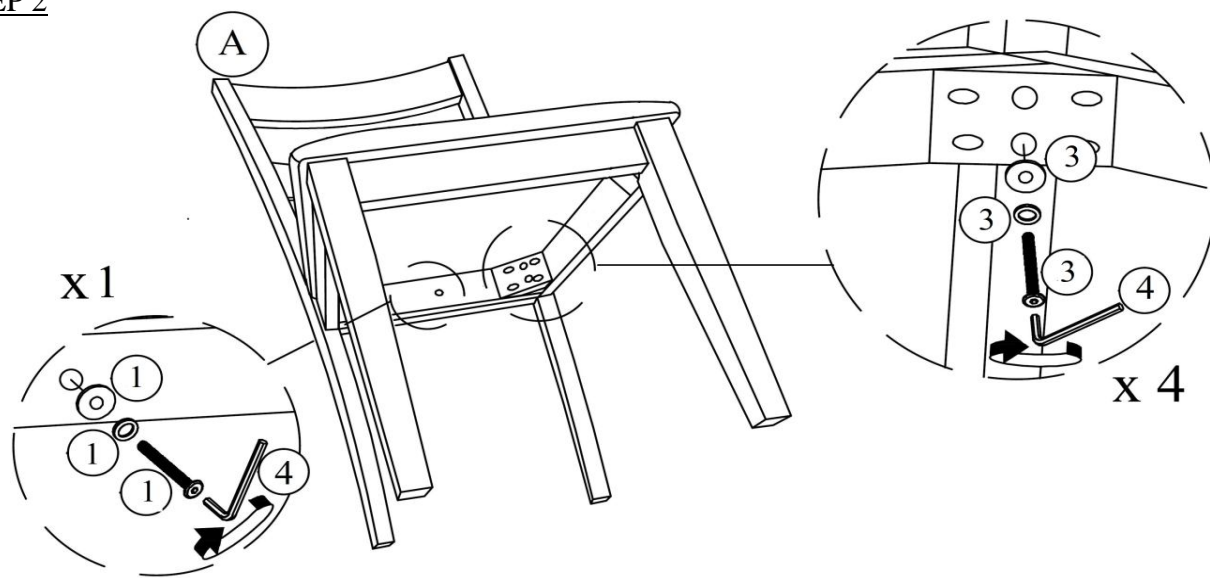


COMPLETED DINING CHAIR ASSEMBLY

STEP 1



STEP 2



THE HARDWARE IS LOCATED IN THE PACKING ITEMS

NOTE : MUST TIGHTEN SCREWS PERIODICALLY. WITH USE SCREWS MAY BECOME LOOSE.
CHECK TIGHTNESS OF ALL SCREWS EVERY 6-8 WEEKS.

CLEANING INSTRUCTION

After assembled, clean the completed parts if necessary with soft cloth and industrial recognized furniture polish

MADE IN MALAYSIA