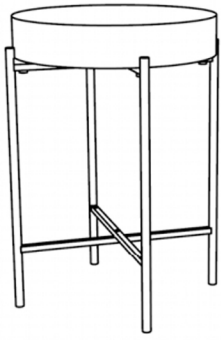




# Assembly Instruction

## ITEM#CVFZR6108




FINISH

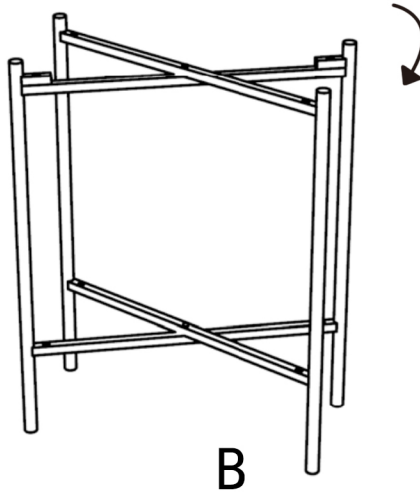


### PARTS LIST

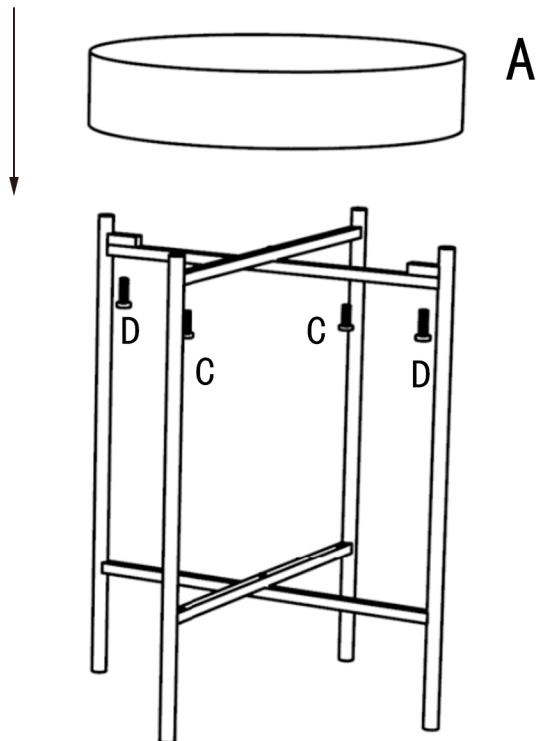
NO.	DESCRIPTION		QTY
A	top		1
B	leg		1

### HARDWARE LIST

NO.	DESCRIPTION		QTY
C	bolt		2
D	bolt		2
E	allen key		1



STEP 1



STEP 2