





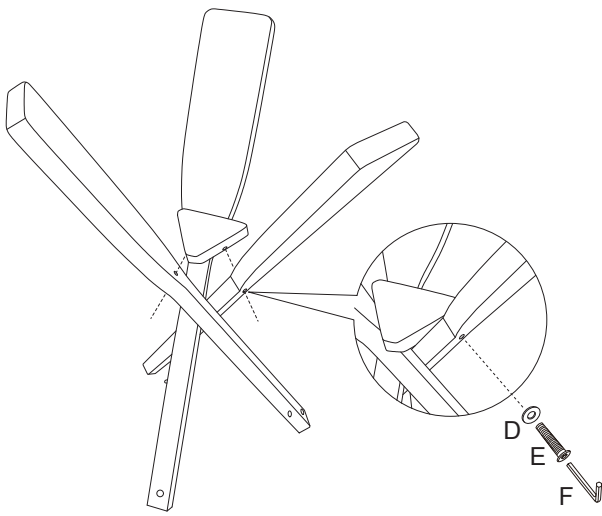


Assembly Instruction

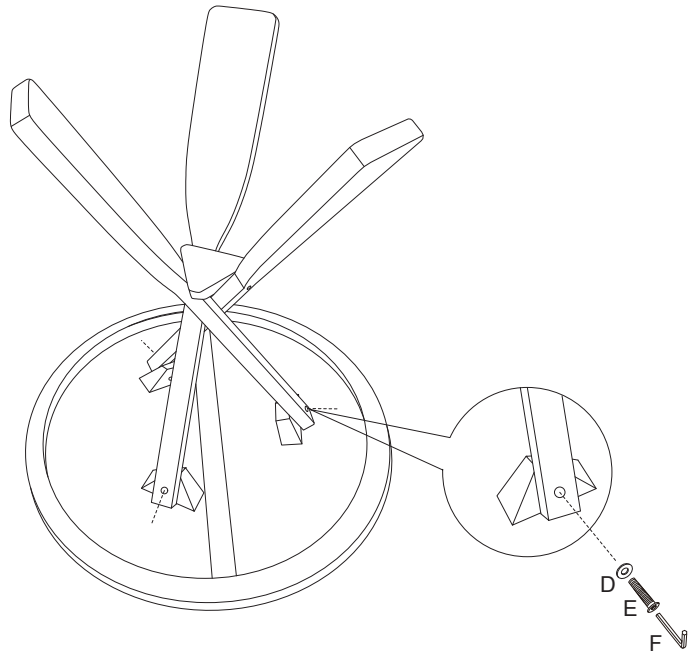
ITEM#CVFZR1731

PARTS LIST						HARDWARE LIST					
NO.	DESCRIPTION		QTY	NO.	DESCRIPTION		QTY	NO.	DESCRIPTION		QTY
A	table top		1	C	wood pec		1	D	washer		6
B	stand		3					E	bolt		6
								F	allen washer		1

Step 1



Step 2



Completion

