


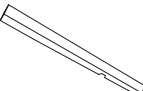


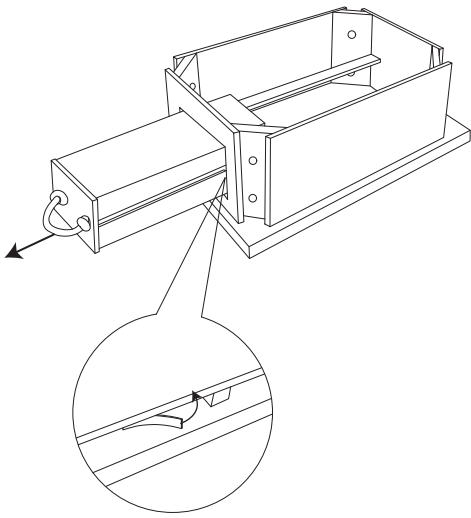


Assembly Instruction

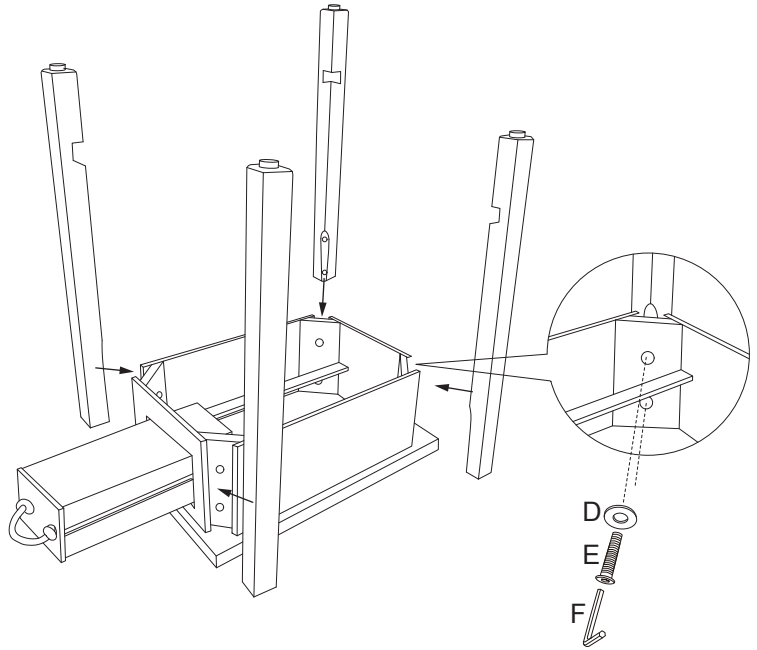
ITEM#CVFZR1005

PARTS LIST						HARDWARE LIST					
NO.	DESCRIPTION		QTY	NO.	DESCRIPTION		QTY	NO.	DESCRIPTION		QTY
A	table top		1	C	shelf		1	D	washer		8
B	leg		4					E	long bolt		8
								F	allen washer		1

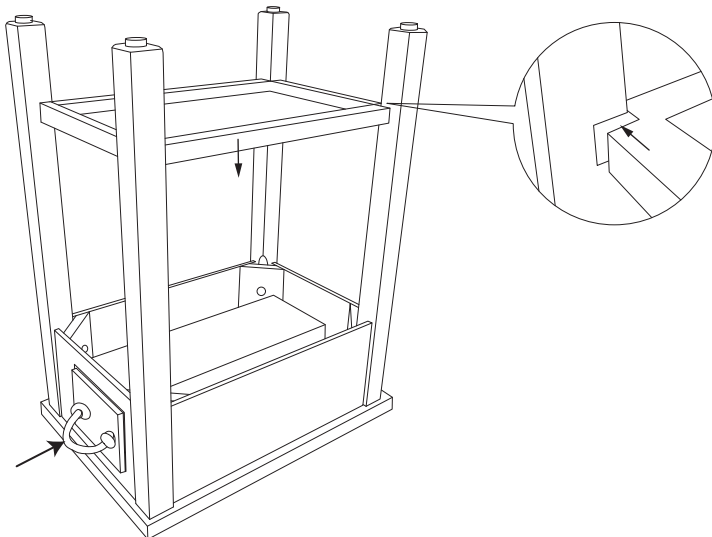
Step 1



Step 2



Step 3



Completion

