

# CVFNR847 – LEG ASSEMBLY

## ASSEMBLY INSTRUCTIONS

A X 4



B X 4



C X 1



D X 1



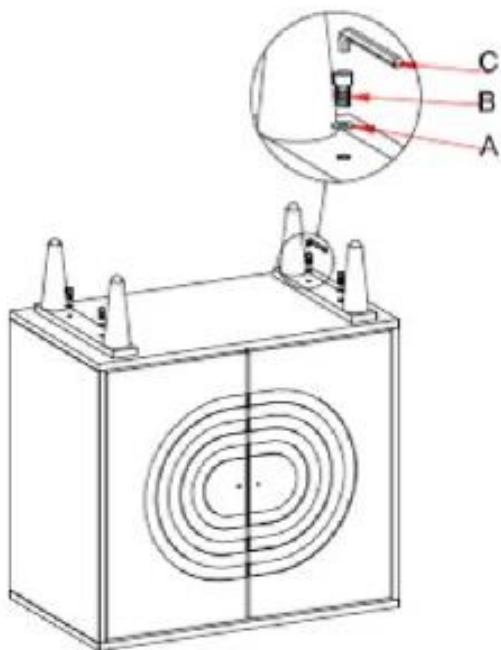
E X 2



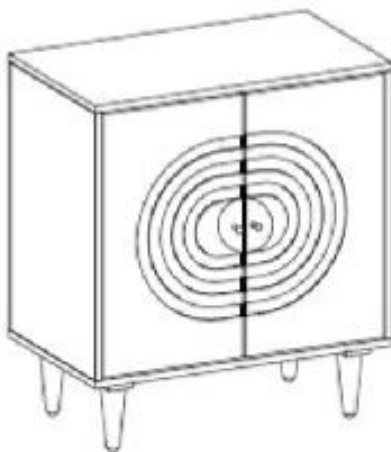
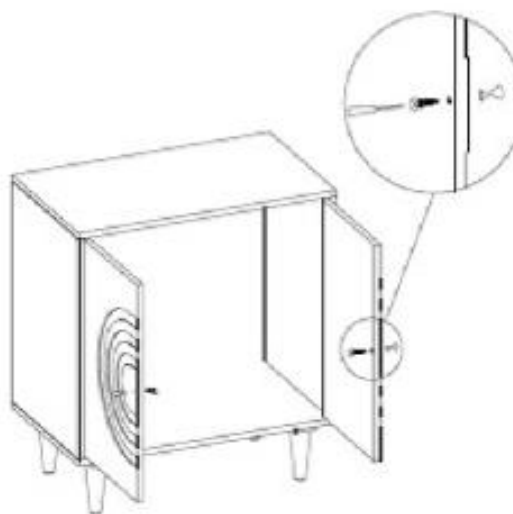
F X 2  
Door Nob  
and  
screw



### STEP 1



### STEP 2



# CVFNR847 – TIP RESTRAINT ASSEMBLY

## ASSEMBLY INSTRUCTIONS

A X 4



B X 4



C X 4

wall for  
screw



D X 2

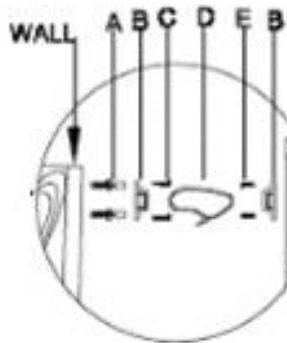


E X 4

cabinet for  
screw



### STEP 3



### STEP 4



### FINAL PRODUCT

