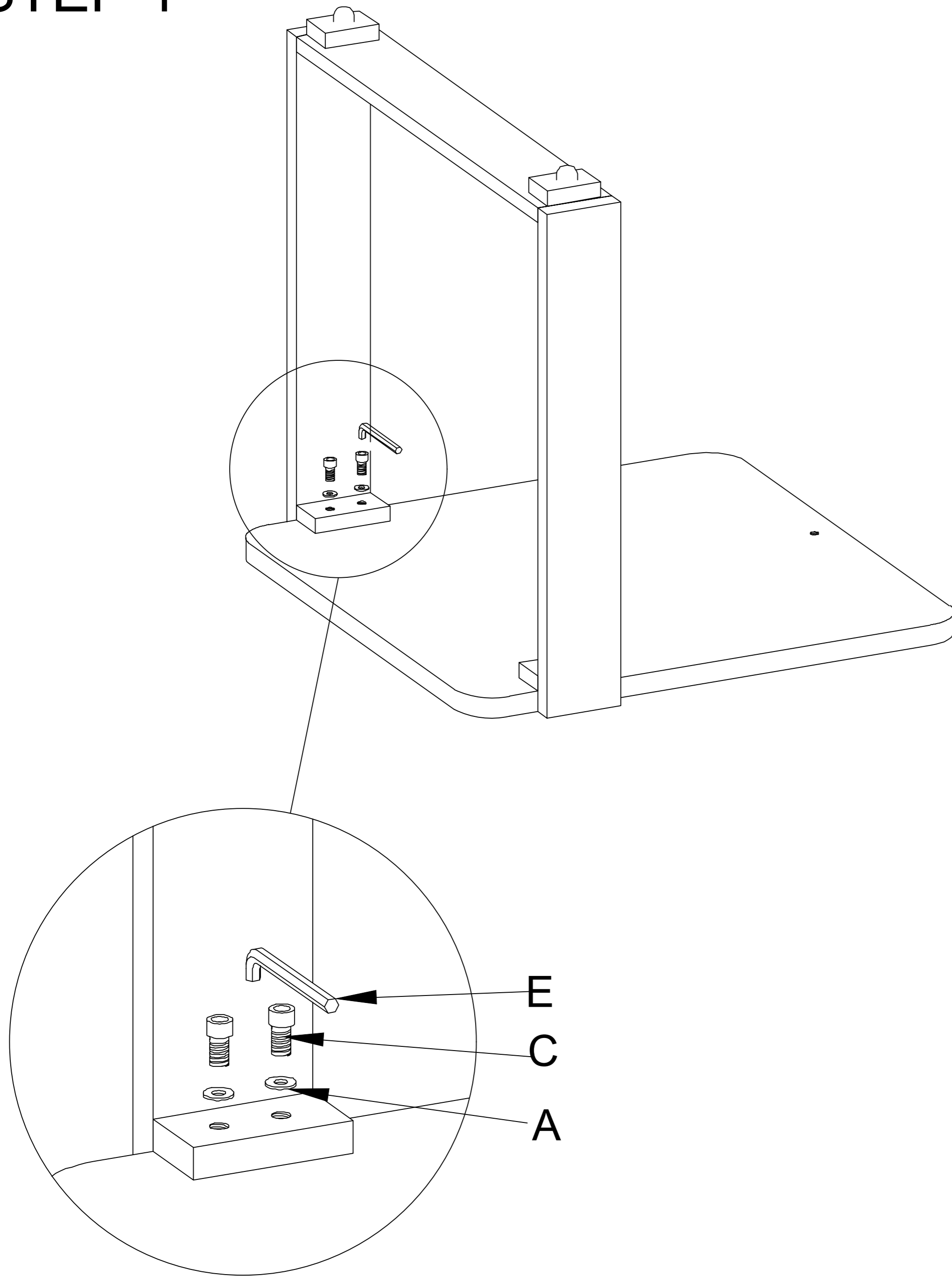


ASSEMBLY INSTRUCTIONS

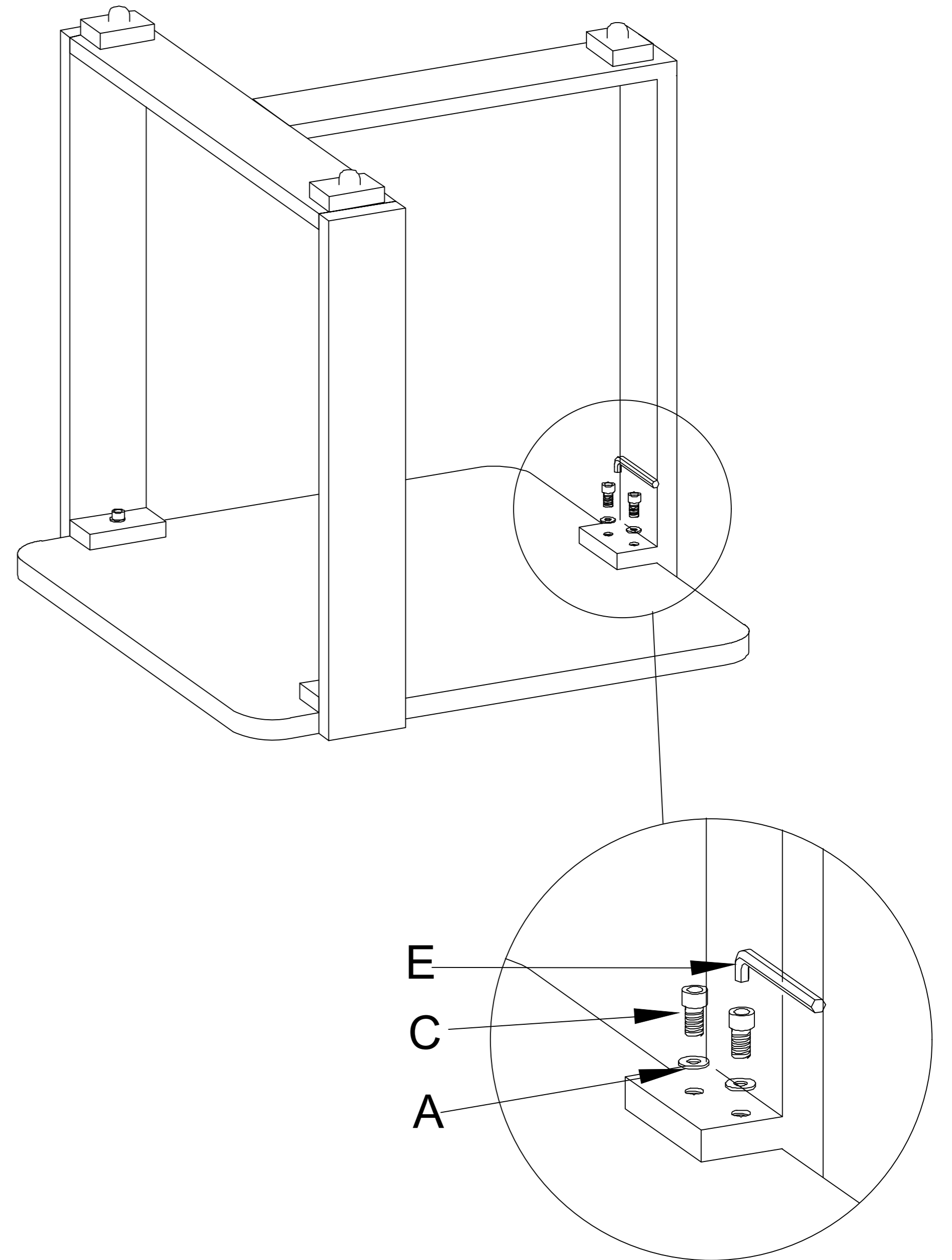
ITEM # CVFNR 665

PART#	A X 6 BIG	B X 2 SMALL	C X 6 BIG	D X 2 SMALL	E X 1 BIG	F X 1 SMALL	G X 1	H X 1	I X 1
Image									
Quantity	6	2	6	2	1	1	1	1	1

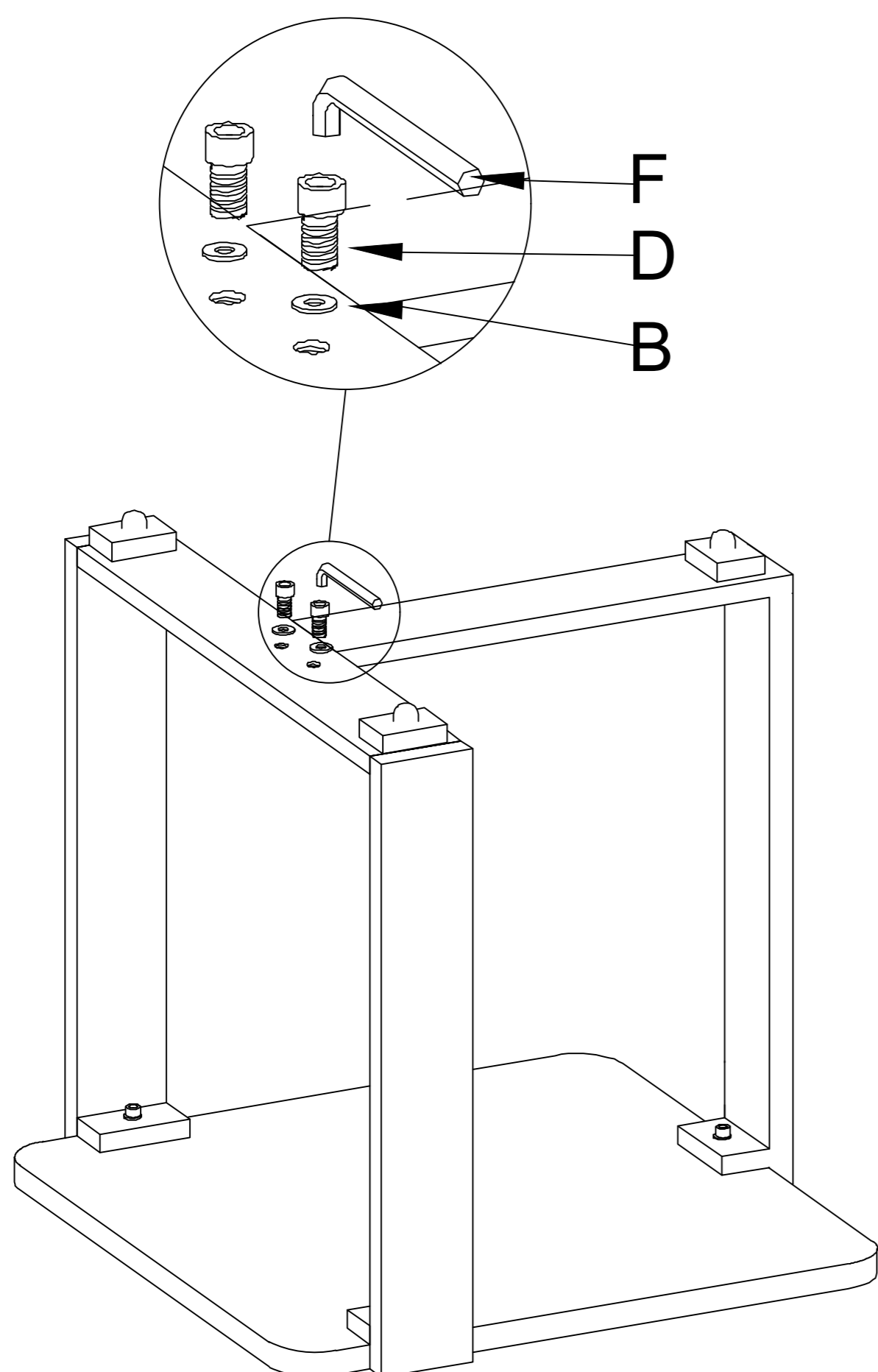
STEP 1



STEP 2



STEP 3



FINAL PRODUCT

