





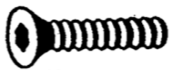


# ASSEMBLY INSTRUCTION

## CVFNR631

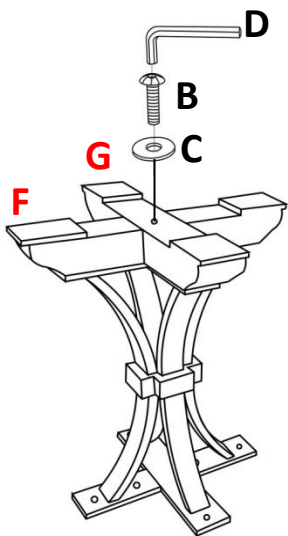
### PARTS

S. NO.	DESCRIPTION	QTY.
<b>E</b>	 TOP	1
<b>F</b>	 LEG-1	1
<b>G</b>	 LEG-2	1

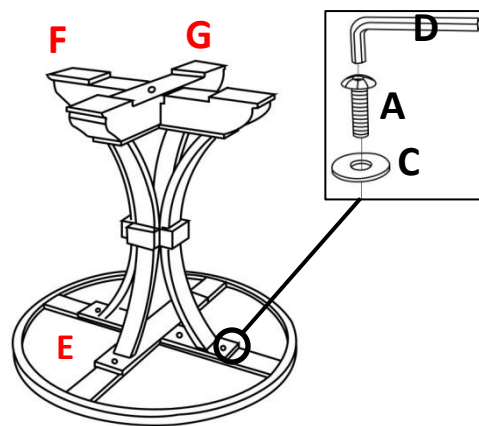
### HARDWARE

S. NO.	DESCRIPTION	QTY.
<b>A</b>	 BOLT	6
<b>B</b>	 LONG BOLT	1
<b>C</b>	 FLAT WASHER	7
<b>D</b>	 ALLEN WRENCH	1

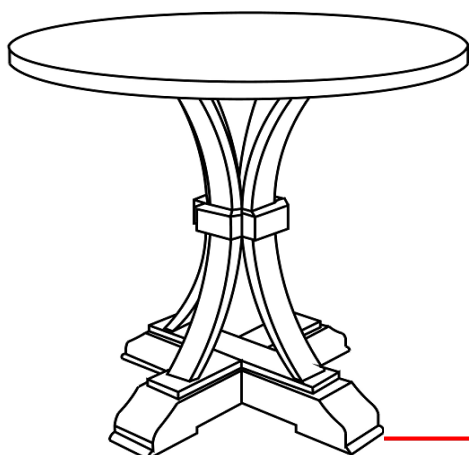
#### STEP 1



#### STEP 2



#### COMPLETED



Adjust height  
for balance



Adjust low  
for balance

Adjust Pre-installed  
Levellers  
height for balance