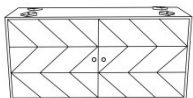
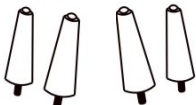


ASSEMBLY INSTRUCTION

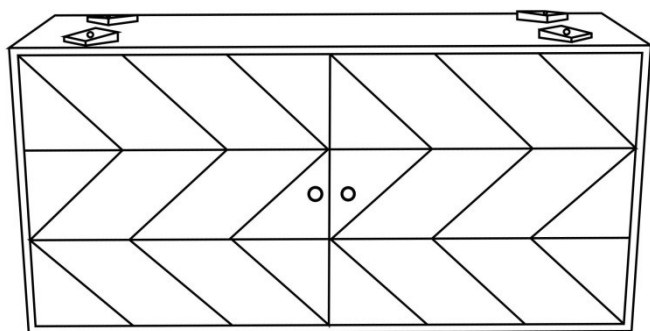
CVFNR4403

PARTS

HARDWARE

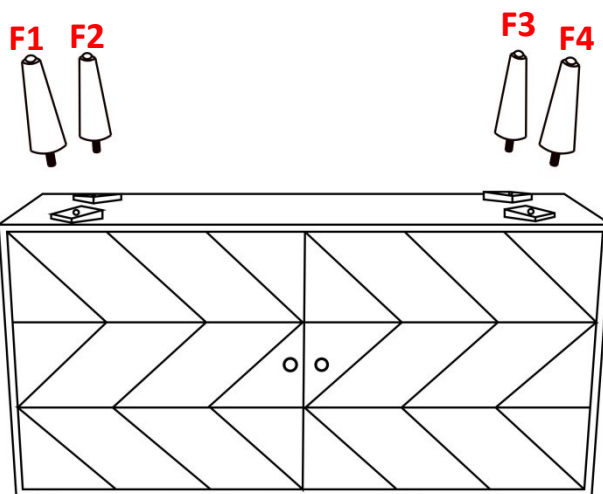
S. NO.	DESCRIPTION		QTY
E		CABINET	1
F		LEG 1/2/3/4	4

STEP 1

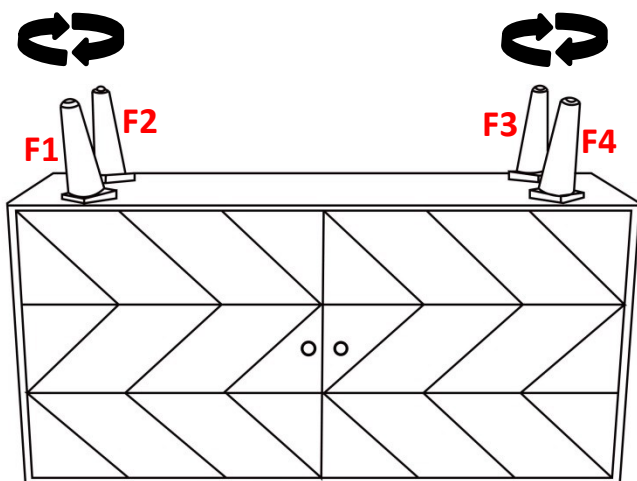


E

STEP 2



STEP 3



E

COMPLETED

