
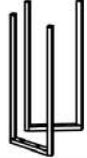




ASSEMBLY INSTRUCTIONS

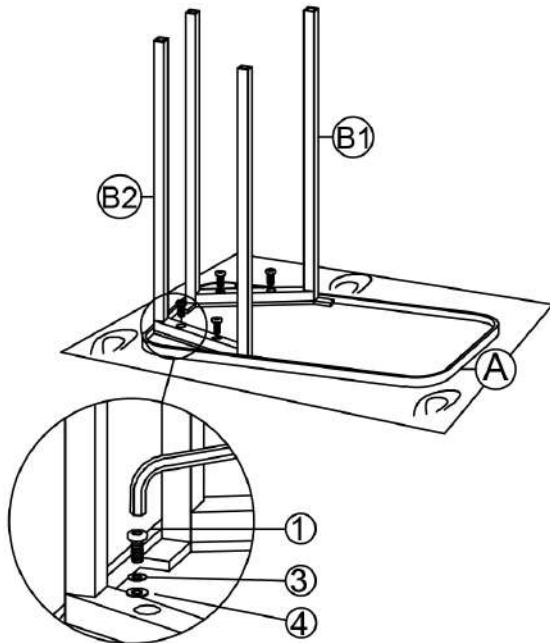
CVFNR4249

NO	PARTS DESCRIPTION	QNT
A	 TOP	1
B	 LEGS	2
C	 BOTTOM FRAME	1

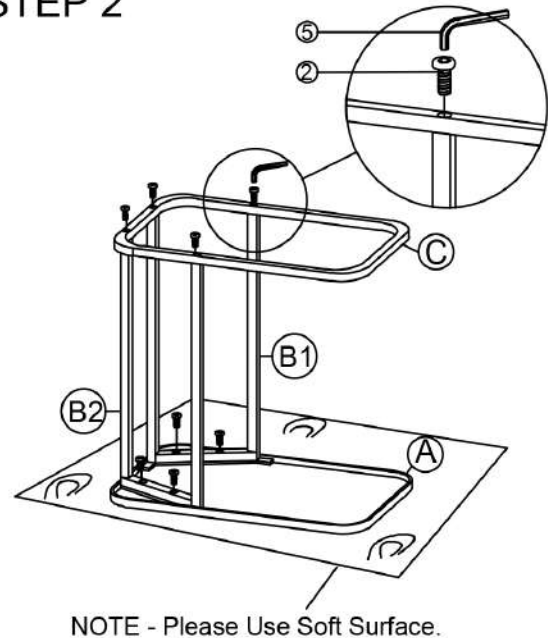
HARDWARE

NO	DESCRIPTION	QNT
1	 SMALL BOLT	4
2	 LARGER BOLT	4
3	 SPRING WASHER	4
4	 WASHER	4
5	 ALLEN KEY 4MM	1

STEP 1

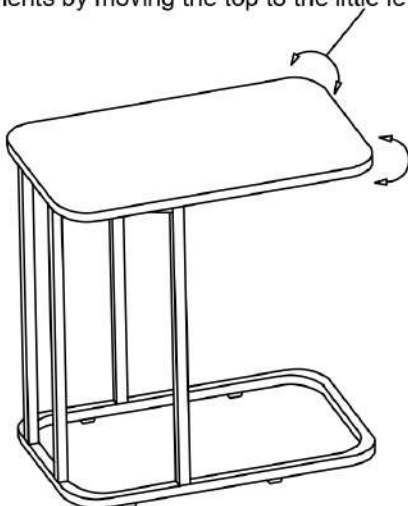


STEP 2

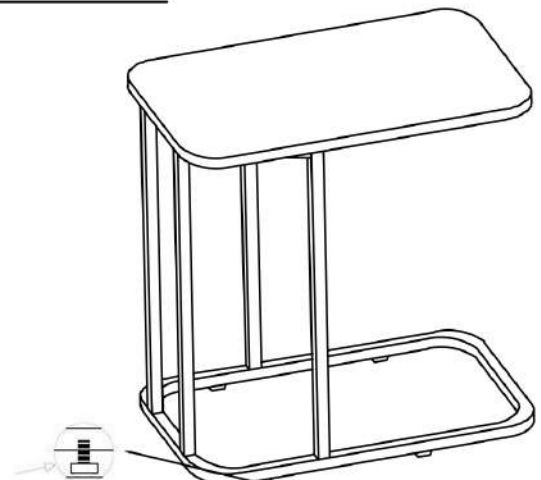


STEP 3

Check Product is perfectly in shape if not, please do some adjustments by moving the top to the little left or right.



COMPLETE



Note : Levellers are provided at bottom to balance the product on uneven surface .