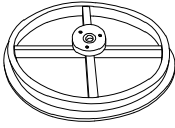

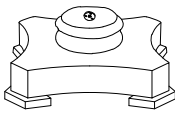


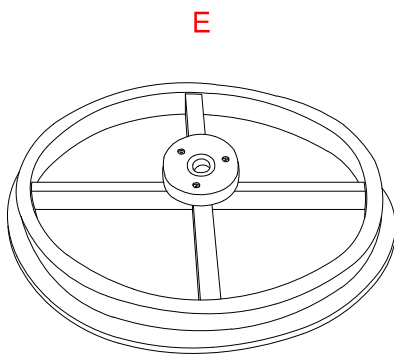
ASSEMBLY INSTRUCTIONS

CVFNR328

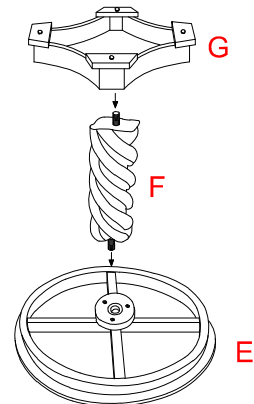
PARTS

S.NO.	DESCRIPTION	QTY.
E		1
F		1
G		1

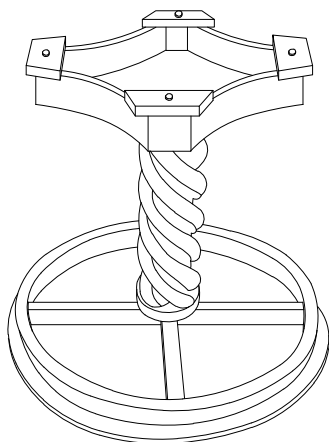
STEP-1



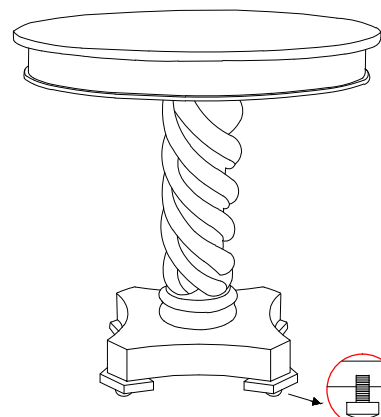
STEP-2



STEP-3



STEP-4



Note: There are leverlier on bottom adjust for balance