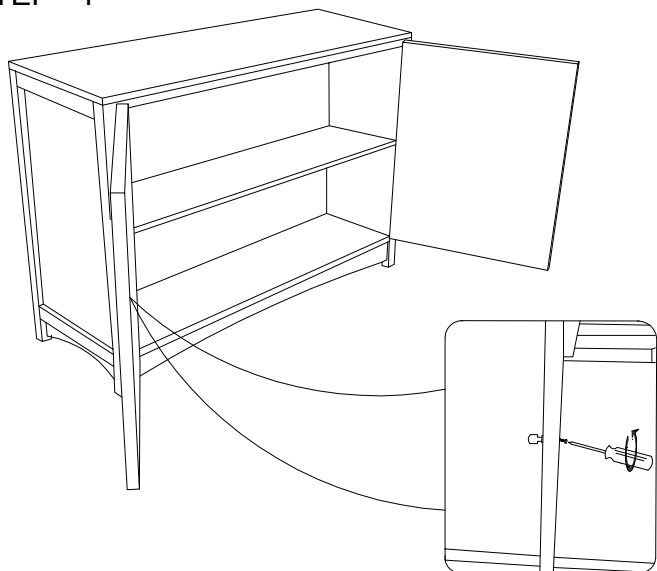


ASSEMBLY INSTRUCTIONS HARDWARE

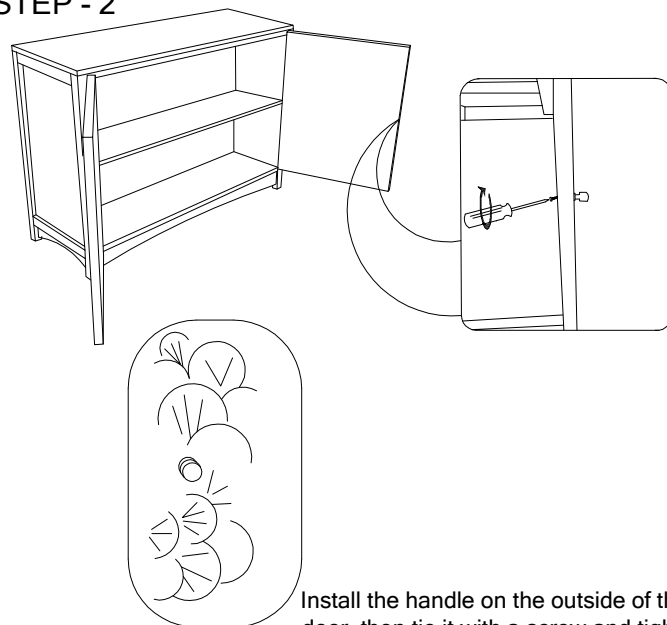
CVFDR1026

STEP - 1



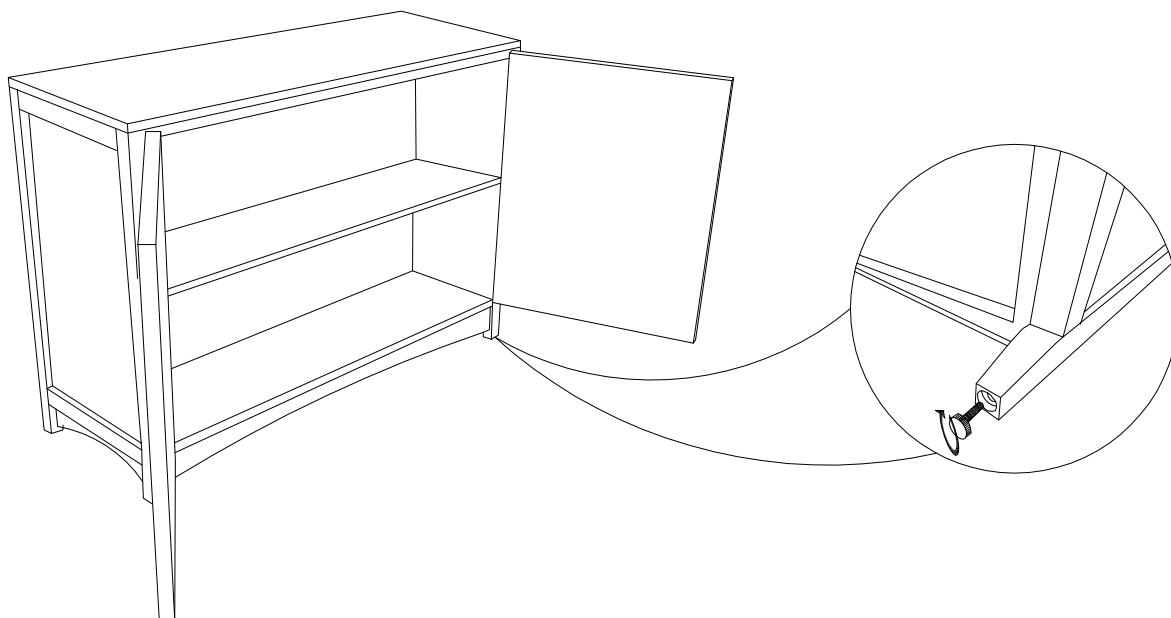
Open the door before the handle is released, by pulling the tape on the door
Remove the screw holding the handle with a screwdriver

STEP - 2



Install the handle on the outside of the door, then tie it with a screw and tighten it with a screwdriver

COMPLETED


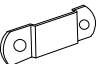
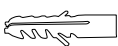




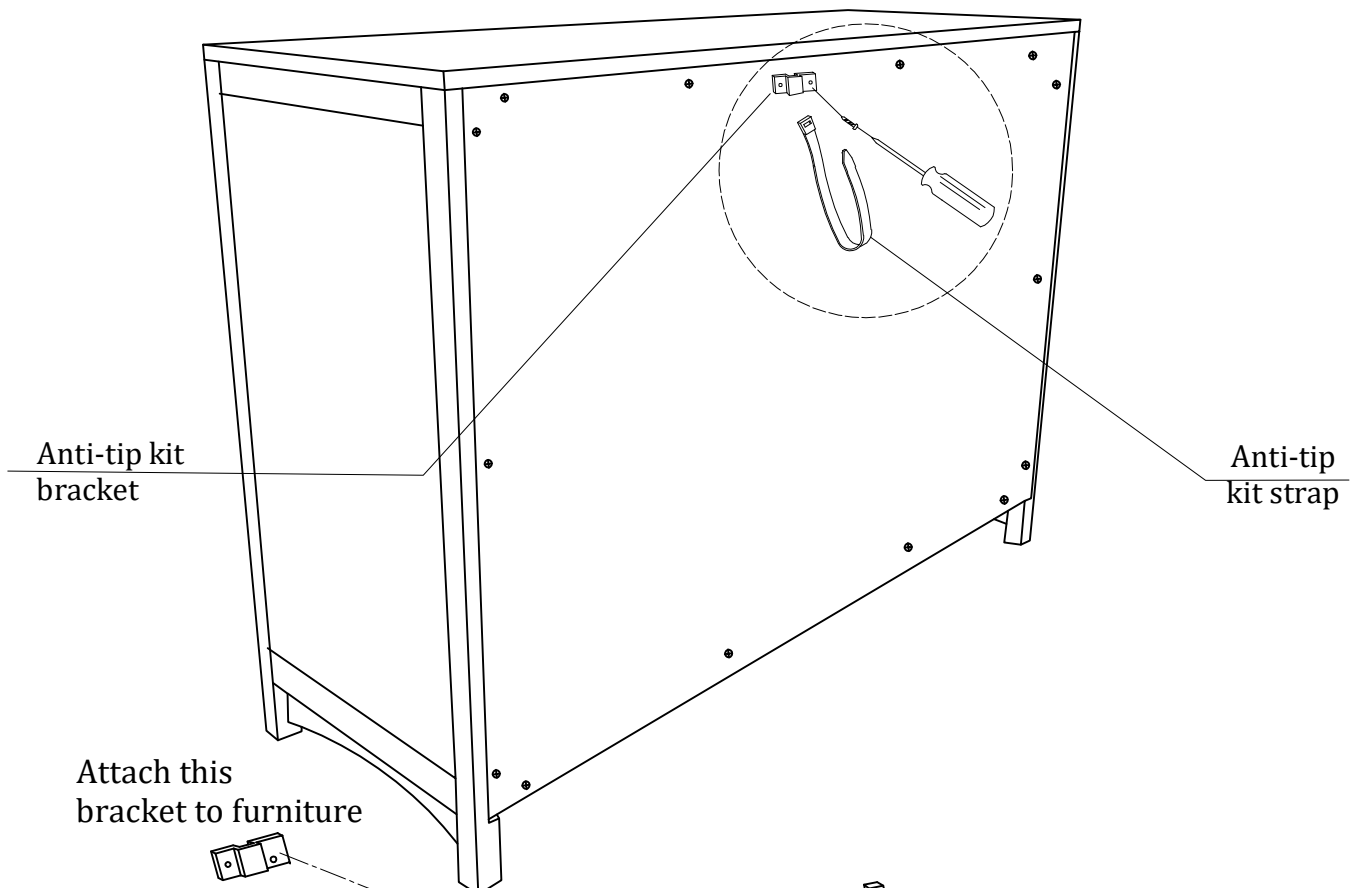
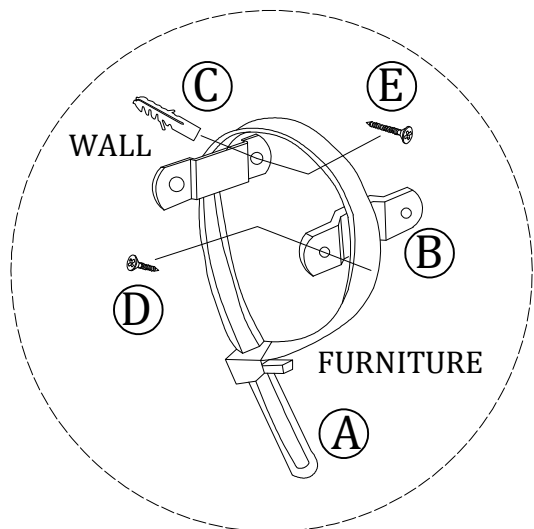
Leveller are provided at the bottom to balance on uneven surface

MADE IN INDONESIA

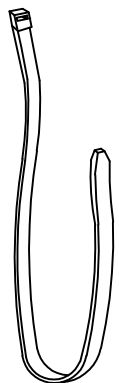
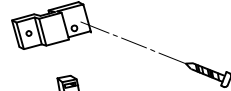
ANTI - TIP KIT INSTALLATION INSTRUCTIONS

CVFDR1026_CAPIZ 2 DOOR CABINET

- A : 1X 
- B : 2X 
- C : 2X  S5
- D : 2X 
- E : 2X 

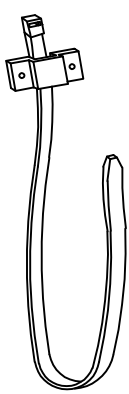


Attach this bracket to furniture

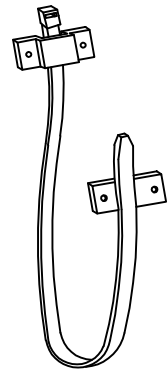


i

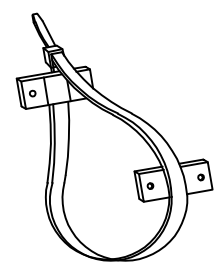
Attach this bracket to wall



ii



iii



iv