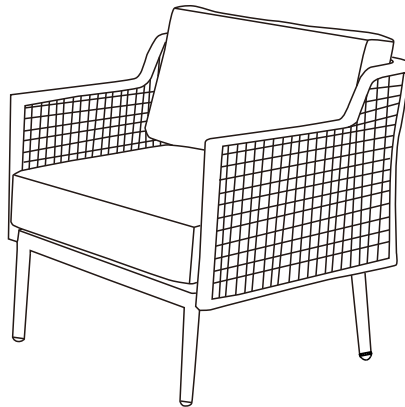
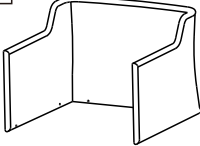



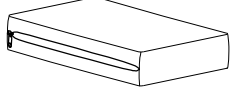




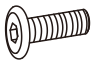
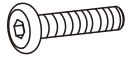


Outdoor Wicker Arm Chair
CO7341



PART LIST

<p>A</p> 	<p>B</p> 	<p>C</p> 	<p>D</p> 	<p>E</p> 
<p>Back Panel 2 PCS</p>	<p>Seat Panel 2 PCS</p>	<p>Leg 4 PCS</p>	<p>Seat Cushion 2 PCS</p>	<p>Back Cushion 2 PCS</p>

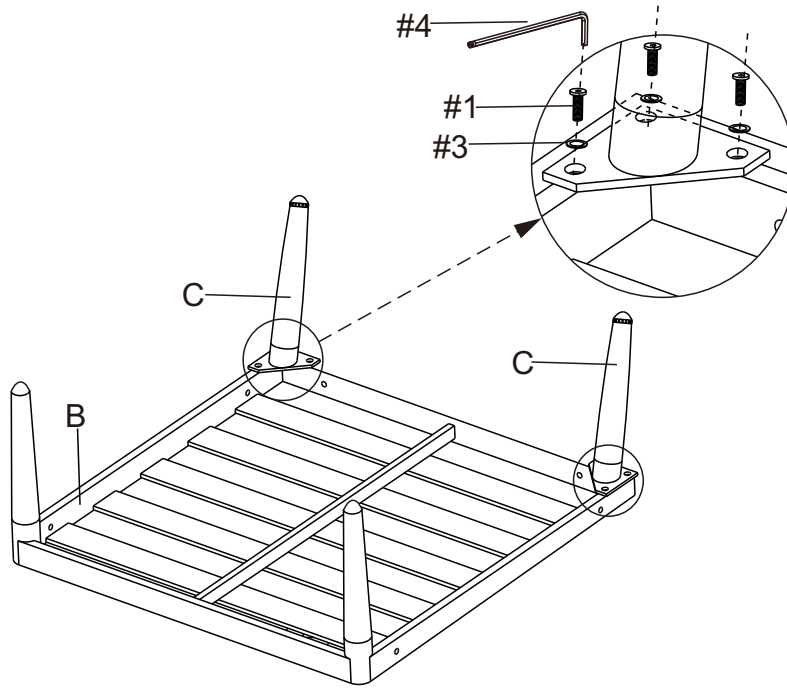
HARDWARE LIST




<p>#1</p>  <p>M6*20mm</p>	<p>#2</p>  <p>M6*35mm</p>	<p>#3</p>  <p>M6mm</p>	<p>#4</p>  <p>M6mm</p>
<p>Short Bolt 12 PCS (Extra 1)</p>	<p>Long Bolt 12 PCS (Extra 1)</p>	<p>Flat Washer 24 PCS (Extra 2)</p>	<p>Allen Wrench 1 PC</p>

Step 1. Lay seat panel (part B) down on a soft flat surface, such as carpet, as shown below.

Attach legs (part C) to seat panel (part B) using short bolts (part #1), flat washers (part #3) and allen wrench (part #4).

NOTE: Please fully tighten all bolts at this time.

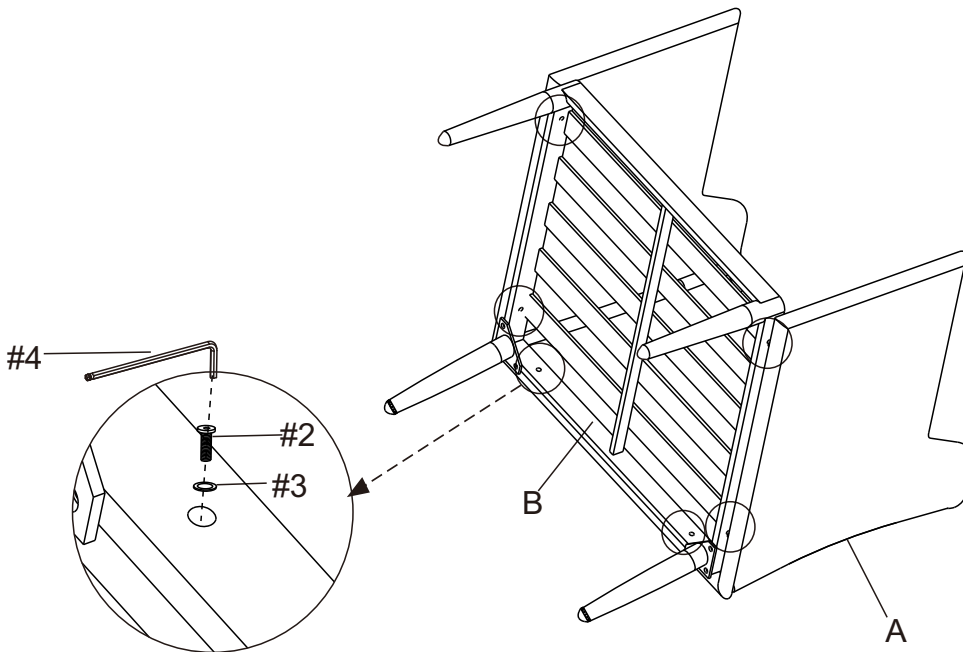





- | | | |
|----|--------------------------------------------------------------------------------------|----|
| #1 |  | x6 |
| #3 |  | x6 |
| #4 |  | x1 |

Step 2. Lay back panel (part A) down on a soft flat surface, such as carpet, as shown below.

Attach seat panel (part B) to back panel (part A) using long bolts (part #2), flat washers (part #3) and allen wrench (part #4).

NOTE: Please fully tighten all bolts at this time.



- | | | |
|----|---------------------------------------------------------------------------------------|----|
| #2 |  | x6 |
| #3 |  | x6 |
| #4 |  | x1 |

Step 3. Carefully turn unit upright. Place seat cushion (part D) and back cushion (part E) as shown below.
Repeat steps 1-3 to assemble remaining chair.

