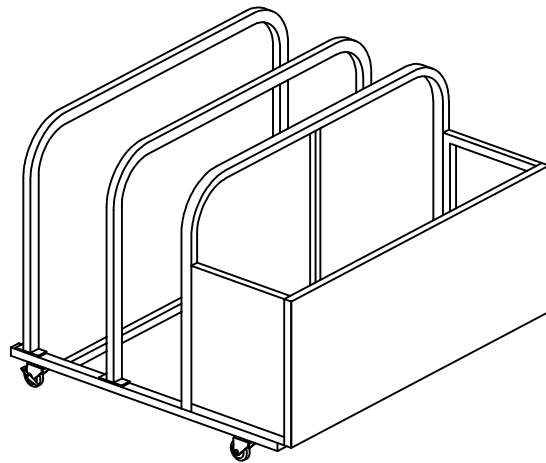


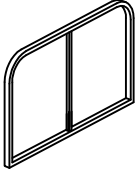
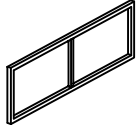
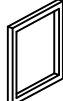
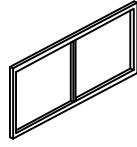
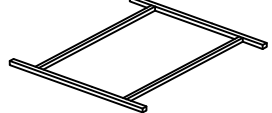
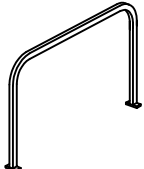
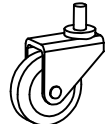



Outdoor Wicker Float Storage Bin

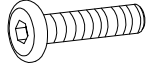
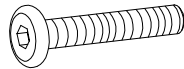


CO7303



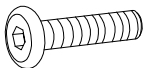
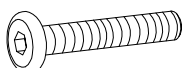
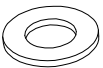
PART LIST

A 	B 	C 	D 	E 
Back Panel 1 PC	Bottom Panel 1 PC	Side Panel 2 PCS	Front Panel 1 PC	Bottom Frame 1 PC
F 	G 	H 		
Divider 2 PCS	Swivel Caster 2 PCS	Locking Caster 2 PCS		

HARDWARE LIST

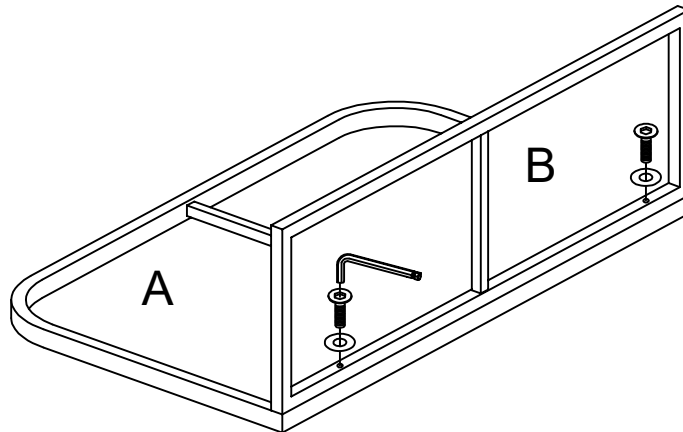
#1 	#2 	#3 	#4 
M6*15mm Short Bolt 8 PCS	M6*35mm Long Bolt 16 PCS	M6mm Washer 24 PCS	M6mm Allen Key 1 PC

EXTRA HARDWARE LIST

#1 	#2 	#3 
M6*15mm Short Bolt 2 PCS	M6*35mm Long Bolt 3 PCS	M6mm Washer 3 PCS

Step 1. Lay back panel (part #A) down on a flat surface. Attach bottom panel(part #B) to back panel(part #A) using the long bolts(part #2), washers(part #3) & allen key (part #4).

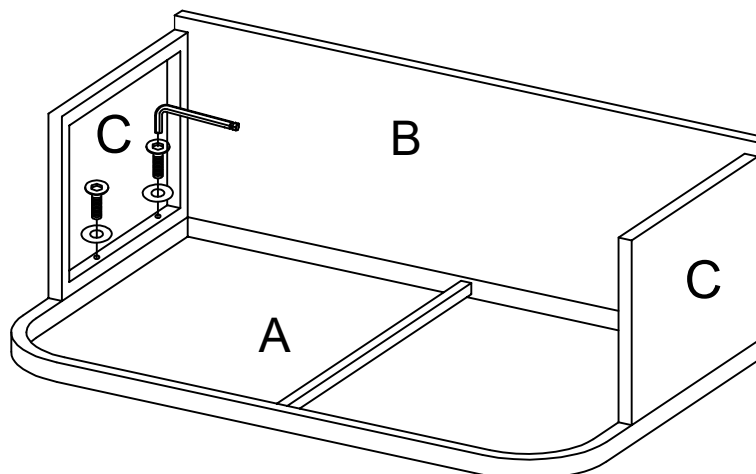
NOTE: Please do not fully tighten bolts until unit is fully assembled.



#2  X2

#3  X2

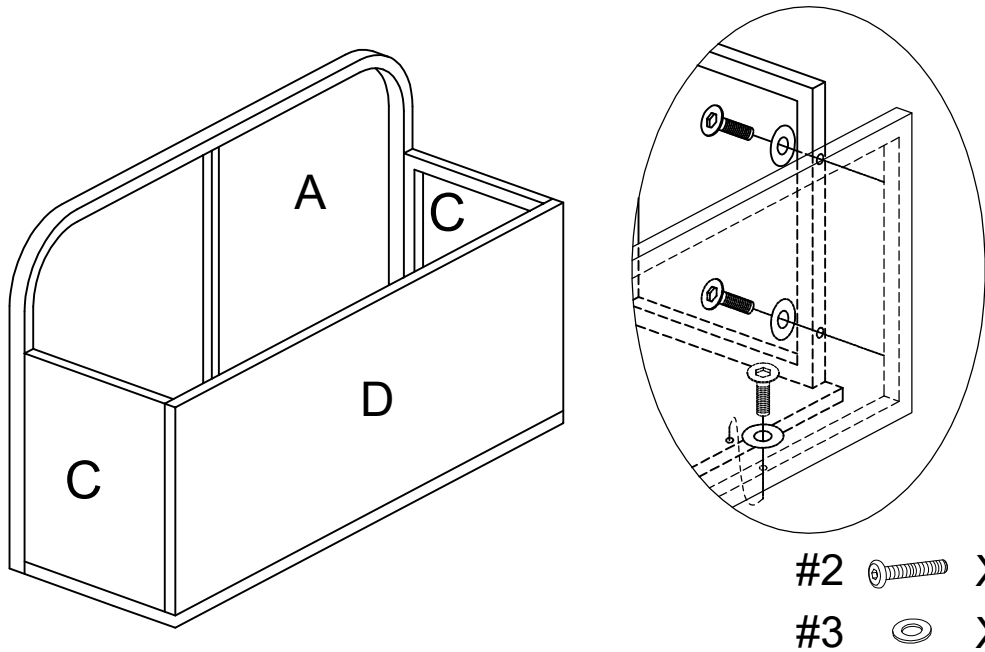
Step 2. Attach side panels (part #C) to back panel (part #A) using long bolts (part #2), washers (part #3) & allen key (part #4).



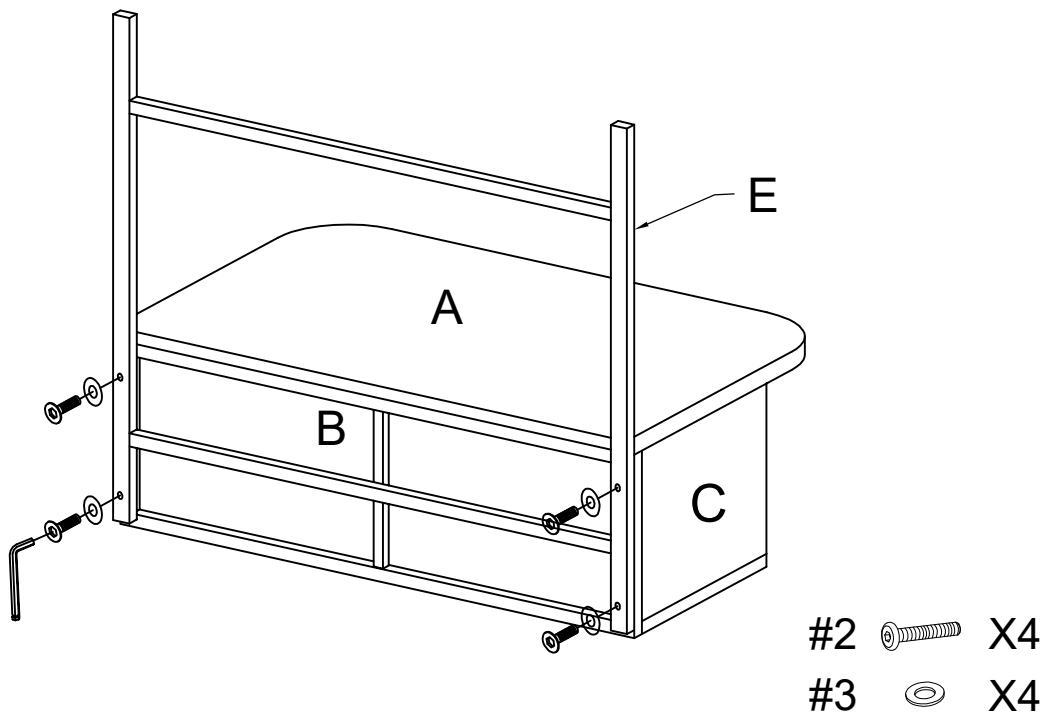
#2  X4

#3  X4

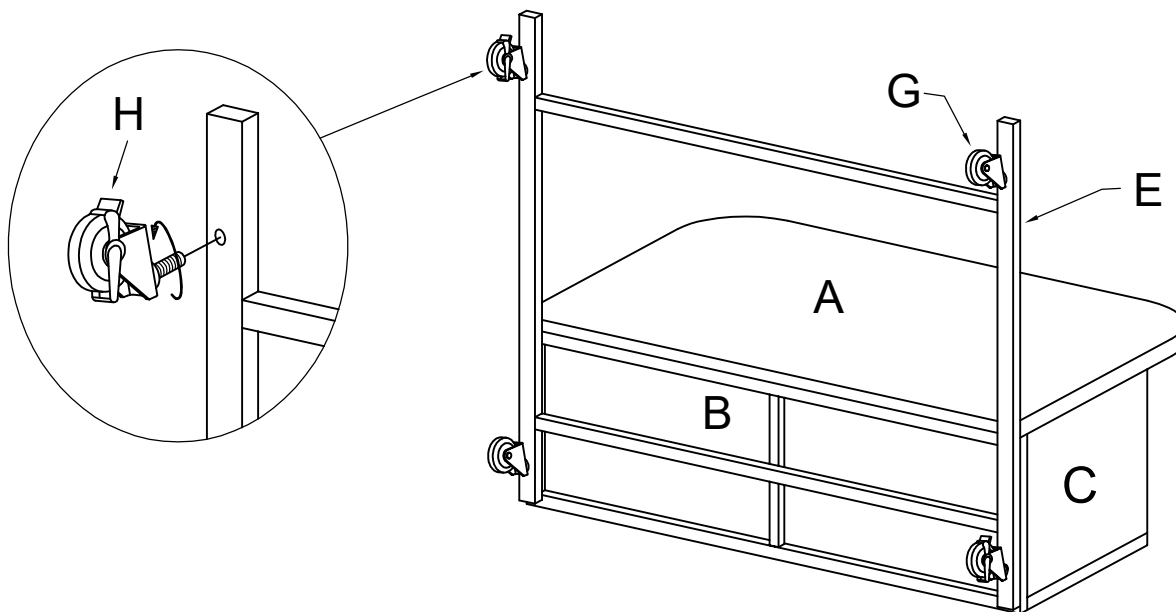
Step 3. Attach front panel (part #D) to assembled parts (part #A,B&C) using long bolts (part #2), washers (part #3) & allen key (part #4).



Step 4. Attach bottom frame (part #E) to assembled parts (part #A,B,C&D) using the long bolts (part #2), washers (part #3) & allen key (part #4).

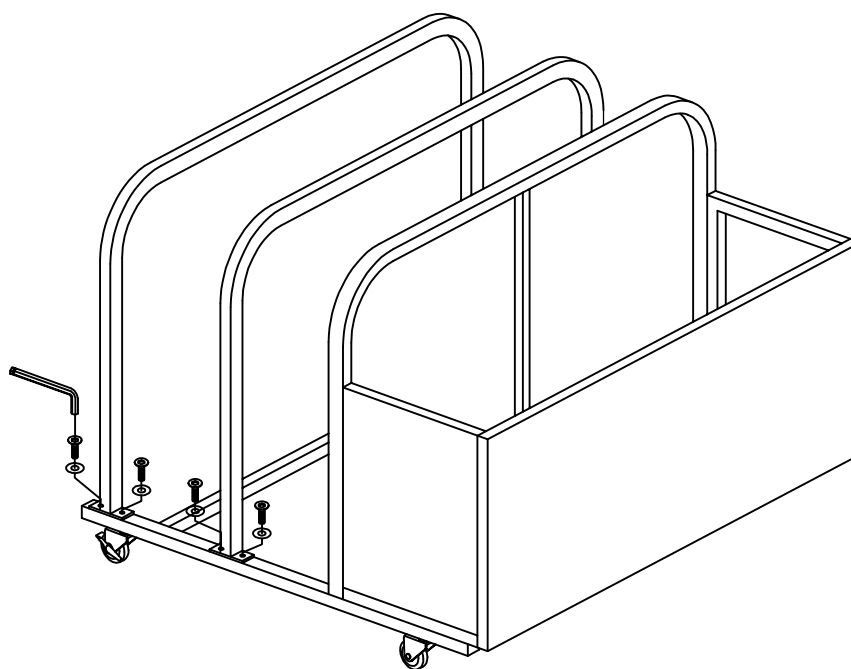




Step 5. Attach swivel caster (part #G) and locking caster (part #H) to bottom frame (part #E).



Step 6. Carefully turn the cabinet over so the casters are on the floor. Attach dividers (part #F) to bottom frame (part #E) using short bolts (part #1), washers (part #3) & allen key (part #4).

NOTE: Please fully tighten all bolts at this time.



#1		X8
#3		X8