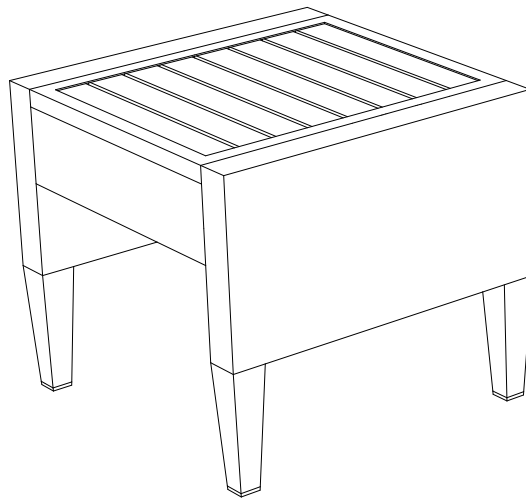
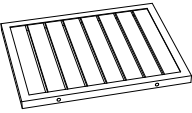
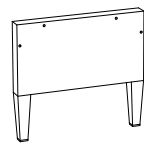
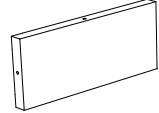




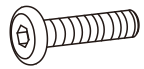
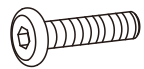

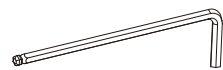
Outdoor Wicker Side Table
CO7280



PART LIST

<p>A</p> 	<p>B</p> 	<p>C</p> 
<p>Top Panel 1 PC</p>	<p>Side Panel 2 PCS</p>	<p>End Panel 2 PCS</p>

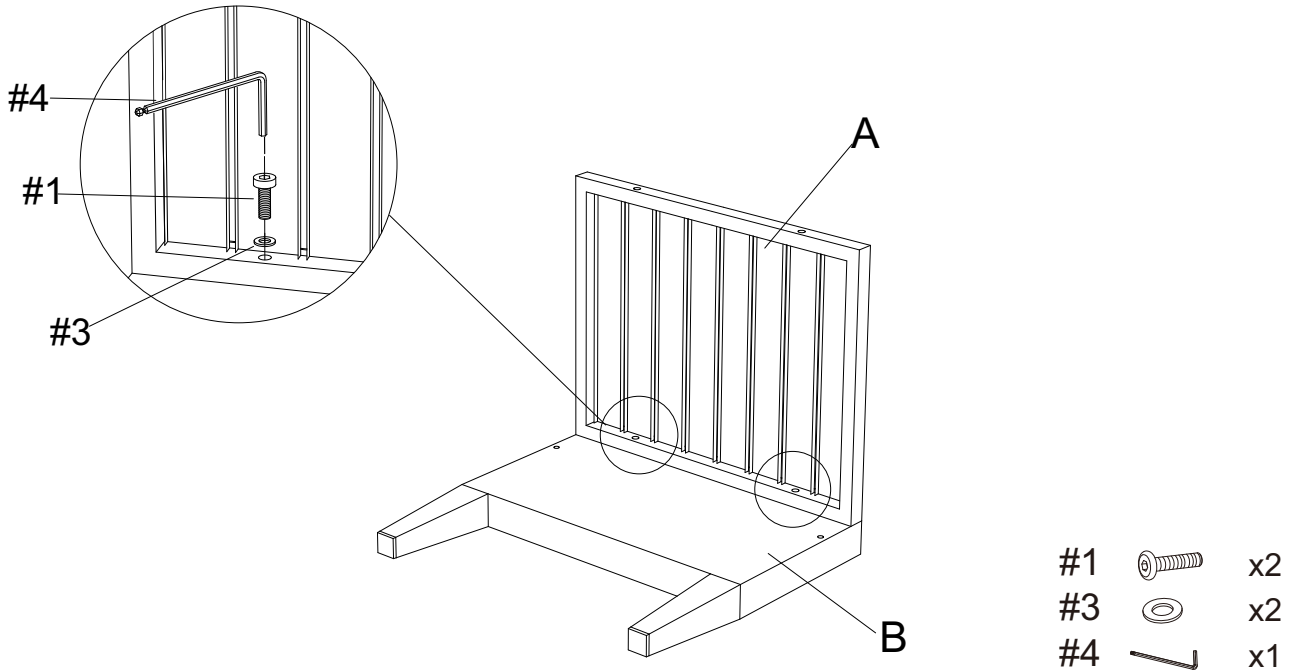
HARDWARE LIST

<p>#1</p>  <p>M6*30mm</p>	<p>#2</p>  <p>M6*45mm</p>	<p>#3</p>  <p>M6mm</p>	<p>#4</p>  <p>M6mm</p>
<p>Short Bolt 6 PCS (Extra 1)</p>	<p>Long Bolt 4 PCS (Extra 1)</p>	<p>Flat Washer 10 PCS (Extra 1)</p>	<p>Allen Wrench 1 PC</p>

Step 1. Lay side panel (part B) down on a soft flat surface, such as carpet, as shown below.

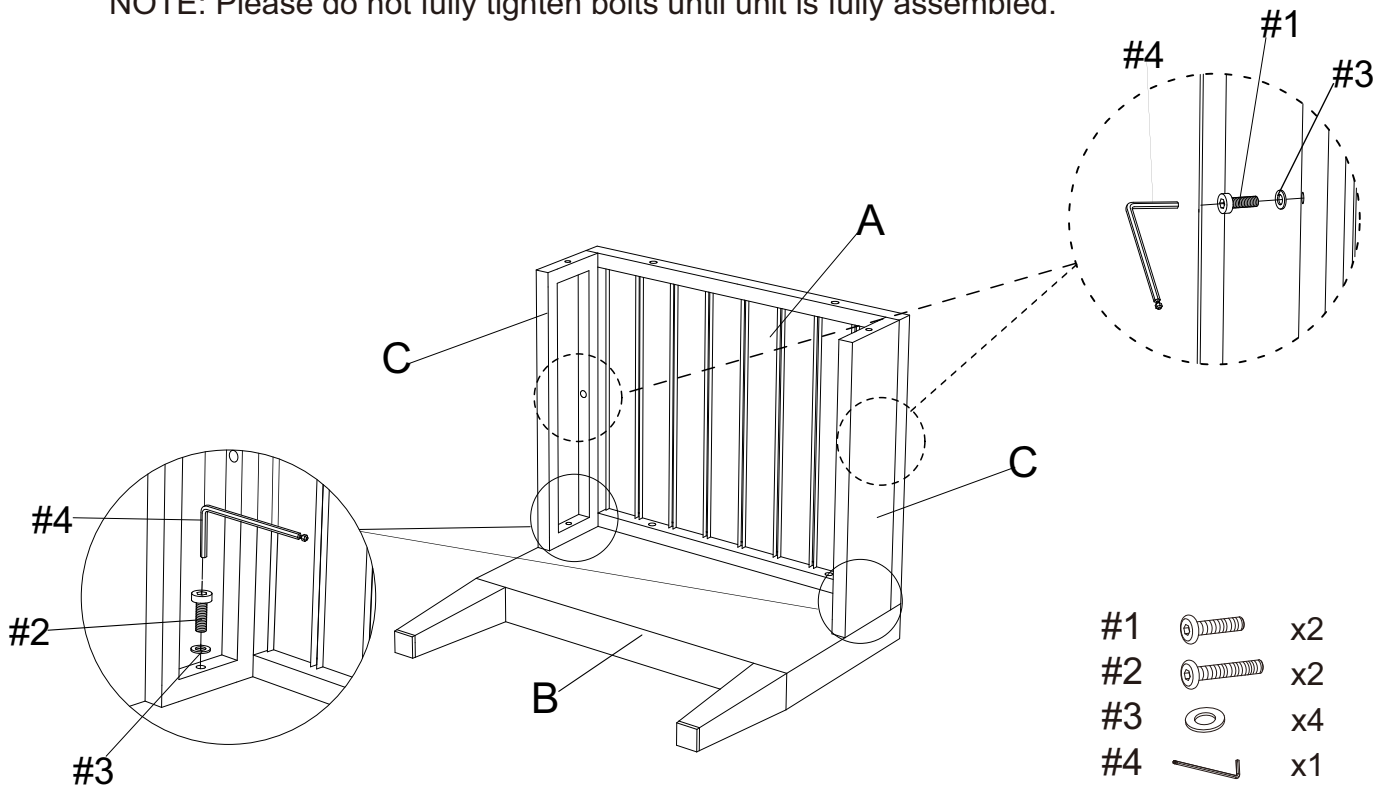
Attach top panel (part A) to side panel (part B) using short bolts (part #1), flat washers (part #3) and allen wrench (part #4).

NOTE: Please do not fully tighten bolts until unit is fully assembled.



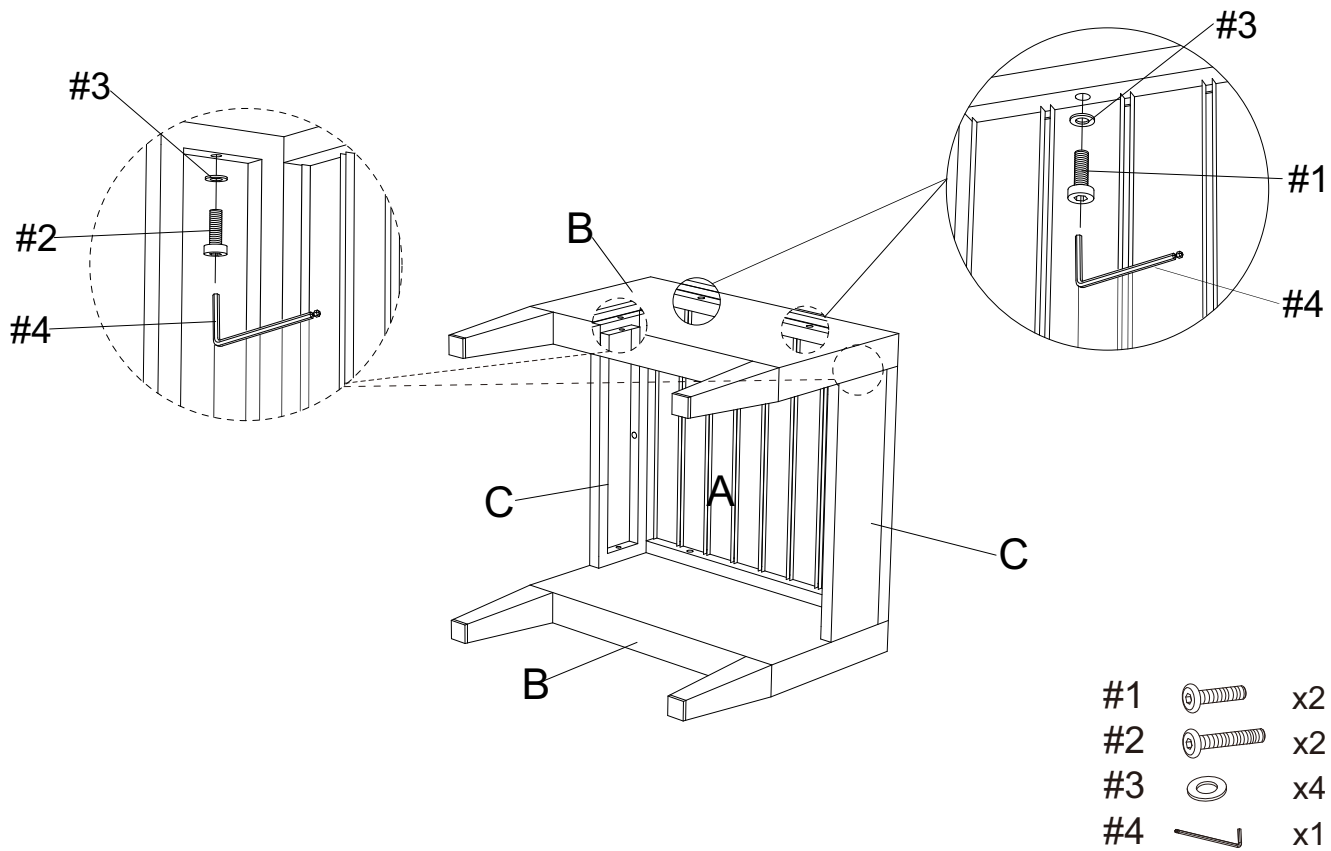
Step 2. Attach end panels (part C) to top panel (part A) and side panel (part B) using short bolts (part #1), long bolts (part #2), flat washers (part #3) and allen wrench (part #4).

NOTE: Please do not fully tighten bolts until unit is fully assembled.



Step 3. Attach side panel (part B) to top panel (part A) and end panels (part C) using short bolts (part #1), long bolts (part #2), flat washers (part #3) and allen wrench (part #4).

NOTE: Please fully tighten all bolts at this time.



Step 4. Carefully turn assembled unit upright.

