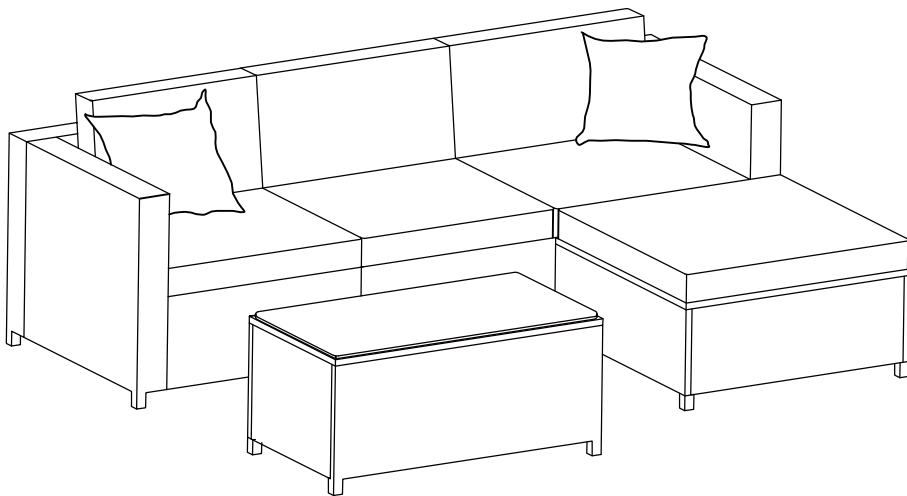
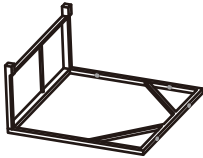

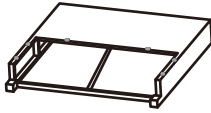
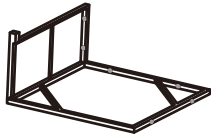
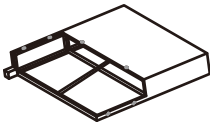
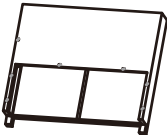

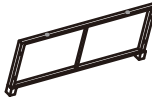
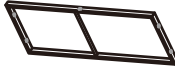
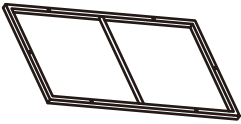
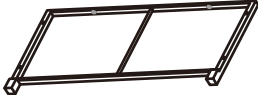
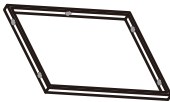




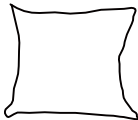




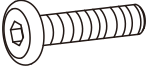
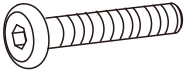




5 Piece Wicker Sofa Set
CO7179



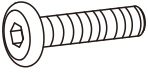
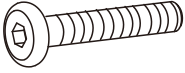


PART LIST

<p>A</p>  <p>(armless chair)</p>	<p>B</p>  <p>(armless & corner chair)</p>	<p>C</p>  <p>(armless chair)</p>	<p>D</p>  <p>(corner chair)</p>	<p>E</p>  <p>(corner chair)</p>
<p>Seat Panel 1 PC</p>	<p>Side Panel 4 PCS</p>	<p>Back Panel 1 PC</p>	<p>Seat Panel 2 PCS</p>	<p>Arm Panel 2 PCS</p>
<p>F</p>  <p>(corner chair)</p>	<p>G</p>  <p>(ottoman)</p>	<p>H</p>  <p>(ottoman)</p>	<p>I</p>  <p>(ottoman)</p>	<p>J</p>  <p>(coffee table)</p>
<p>Back Panel 2 PCS</p>	<p>Wicker Top 1 PC</p>	<p>Long Side Panel 2 PCS</p>	<p>Short Side Panel 2 PCS</p>	<p>Wicker Top 1 PC</p>
<p>K</p>  <p>(coffee table)</p>	<p>L</p>  <p>(coffee table)</p>	<p>S</p>  <p>(coffee table)</p>	<p>T</p>  <p>(armless & corner chair)</p>	<p>U</p>  <p>(armless & corner chair)</p>
<p>Long Side Panel 2 PCS</p>	<p>Short Side Panel 2 PCS</p>	<p>Glass Top 1 PC</p>	<p>Seat Cushion 3 PCS</p>	<p>Back Cushion 3 PCS</p>
<p>V</p>  <p>(ottoman)</p>	<p>W</p> 			
<p>Seat Cushion 1 PC</p>	<p>Pillow 2 PCS</p>			

HARDWARE LIST

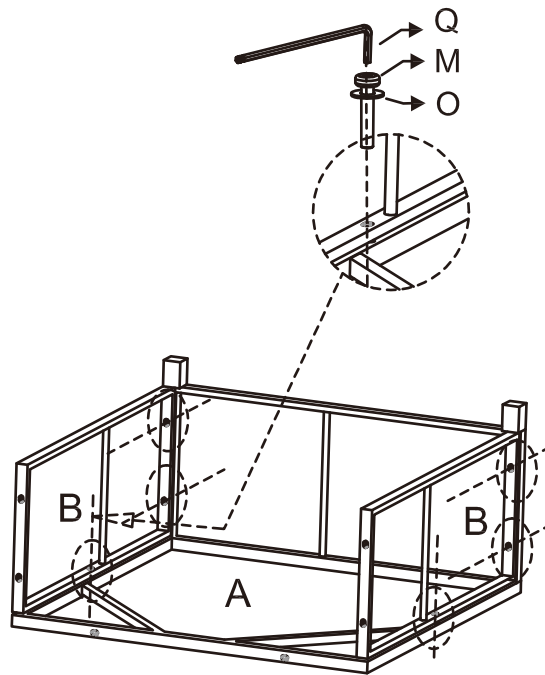
M	N	O	P	Q
				
M6*30mm	M6*50mm	M6mm	M6mm	M6mm
Bolt 40 PCS	Long Bolt 28 PCS	Flat Washer 96 PCS	Hex Nut 28 PCS	Allen Wrench 2 PCS
R				
				
M6mm				
Wrench 2 PCS				

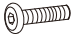


EXTRA HARDWARE LIST

M	N	O	P
			
M6*30mm	M6*50mm	M6mm	M6mm
Bolt 4 PCS	Long Bolt 3 PCS	Flat Washer 6 PC	Hex Nut 3 PCS

Step 1. Lay seat panel (part A) upside down on a soft flat surface, such as carpet, as shown below. Attach side panels (part B) to seat panel (part A) using bolts (part M), flat washers (part O) and allen wrench (part Q).

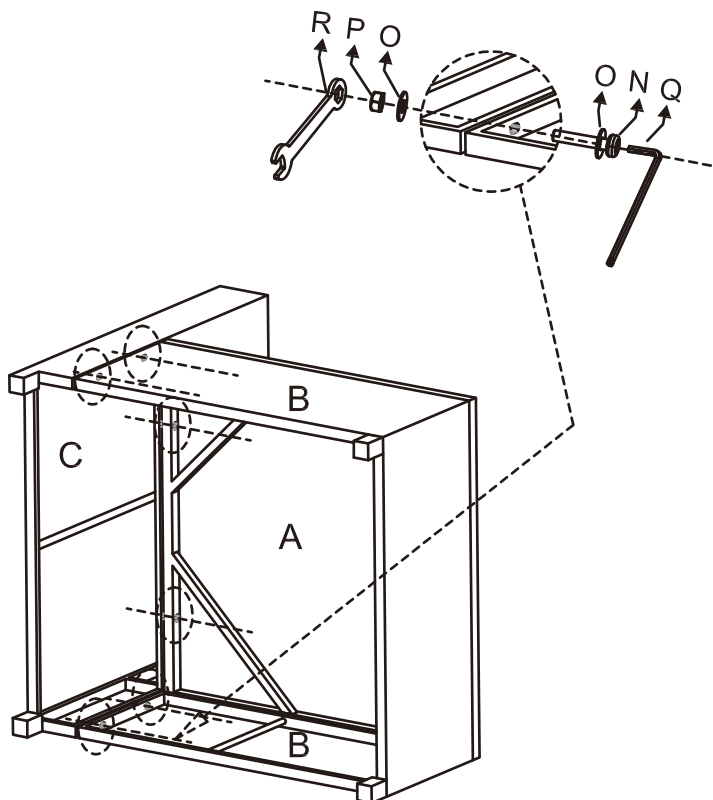
NOTE: Please do not fully tighten bolts until unit is fully assembled.








M		x6
O		x6
Q		x1

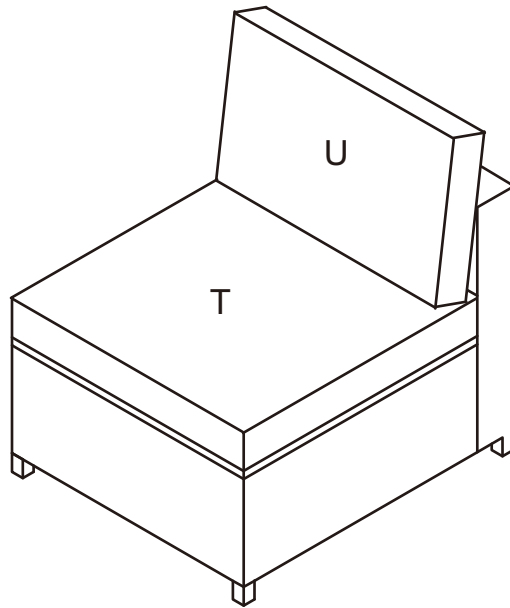
Step 2. Attach back panel (part C) to seat panel (part A) and side panels (part B) using long bolts (part N), flat washers (part O), hex nuts (part P), allen wrench (part Q) and wrench (part R).

NOTE: Please fully tighten all bolts at this time.



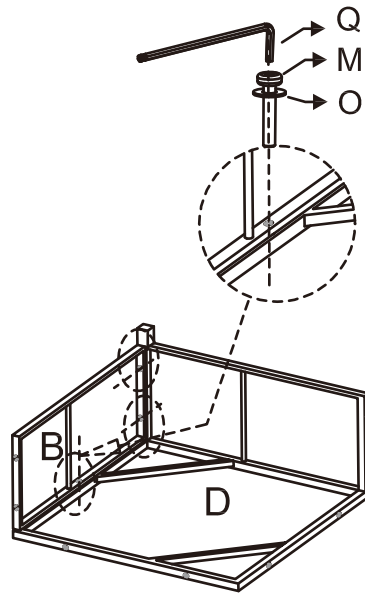
N		x6
O		x12
P		x6
Q		x1
R		x1

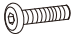


Step 3. Carefully turn the assembled unit upright. Add seat cushion (part T) and back cushion (part U) as shown below.



Step 4. Lay seat panel (part D) upside down on a soft flat surface, such as carpet, as shown below. Attach side panel (part B) to seat panel (part D) using bolts (part M), flat washers (part O) and allen wrench (part Q).

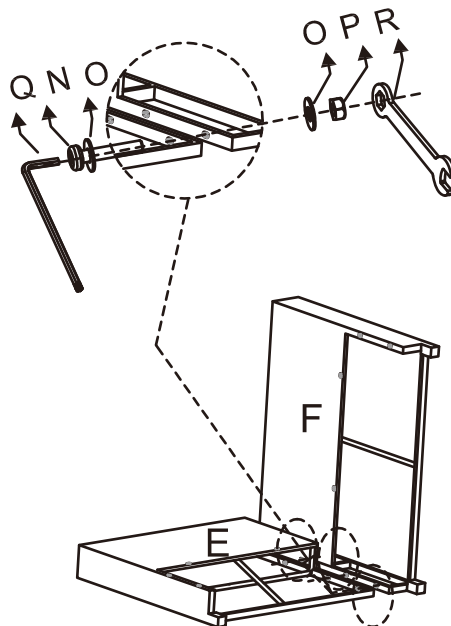
NOTE: Please do not fully tighten bolts until unit is fully assembled.








M		x3
O		x3
Q		x1

Step 5. Attach back panel (part F) to arm panel (part E) using long bolts (part N), flat washers (part O), hex nuts (part P), allen wrench (part Q) and wrench (part R).

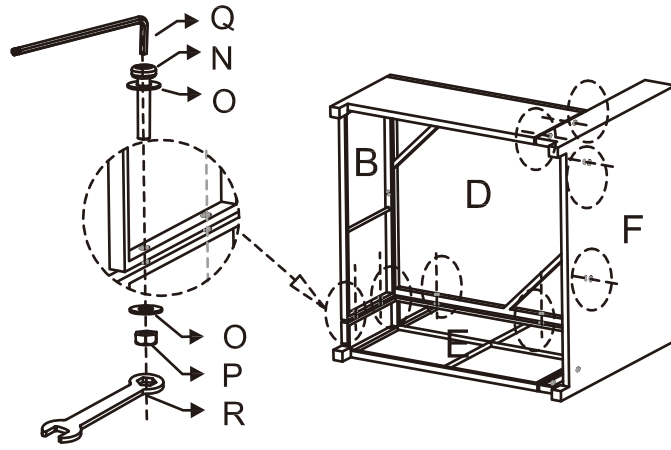
NOTE: Please do not fully tighten bolts until unit is fully assembled.








N		x3
O		x6
P		x3
Q		x1
R		x1

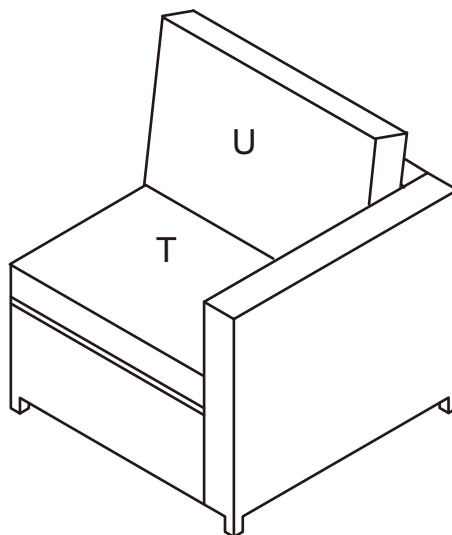
Step 6. Attach assembled unit (parts B & D) to arm panel (part E) and back panel (part F) using long bolts (part N), flat washers (part O), hex nuts (part P), allen wrench (part Q) and wrench (part R).

NOTE: Please fully tighten all bolts at this time.



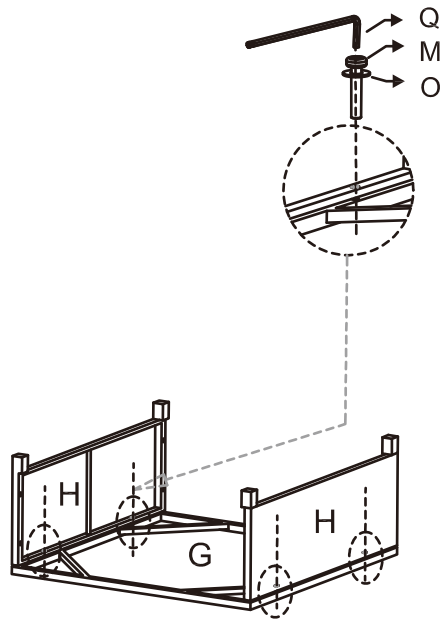
N		x8
O		x16
P		x8
Q		x1
R		x1

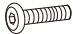


Step 7. Carefully turn the assembled unit upright. Add seat cushion (part T) and back cushion (part U) as shown below. Repeat steps 4-7 to assemble remaining corner chair.



Step 8. Lay wicker top (part G) upside down on a soft flat surface, such as carpet, as shown below. Attach long side panels (part H) to wicker top (part G) using bolts (part M), flat washers (part O) and allen wrench (part Q).

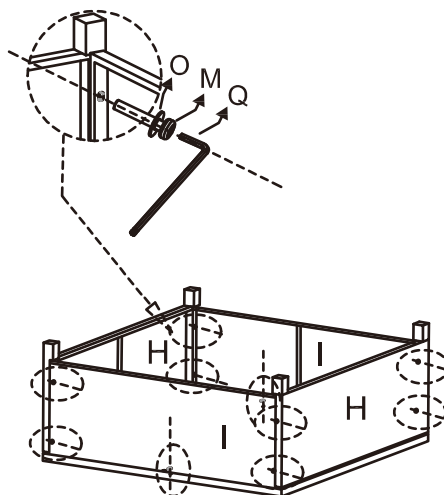
NOTE: Please do not fully tighten bolts until unit is fully assembled.

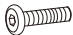




M		x4
O		x4
Q		x1

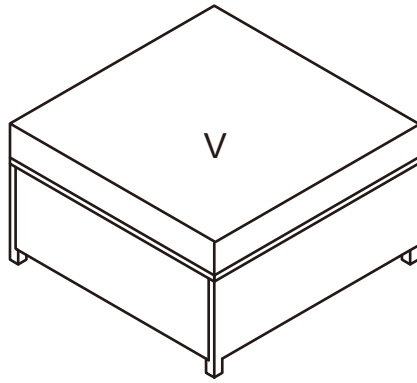
Step 9. Attach short side panels (part I) to wicker top (part G) and long side panels (part H) using bolts (part M), flat washers (part O) and allen wrench (part Q).

NOTE: Please fully tighten all bolts at this time.



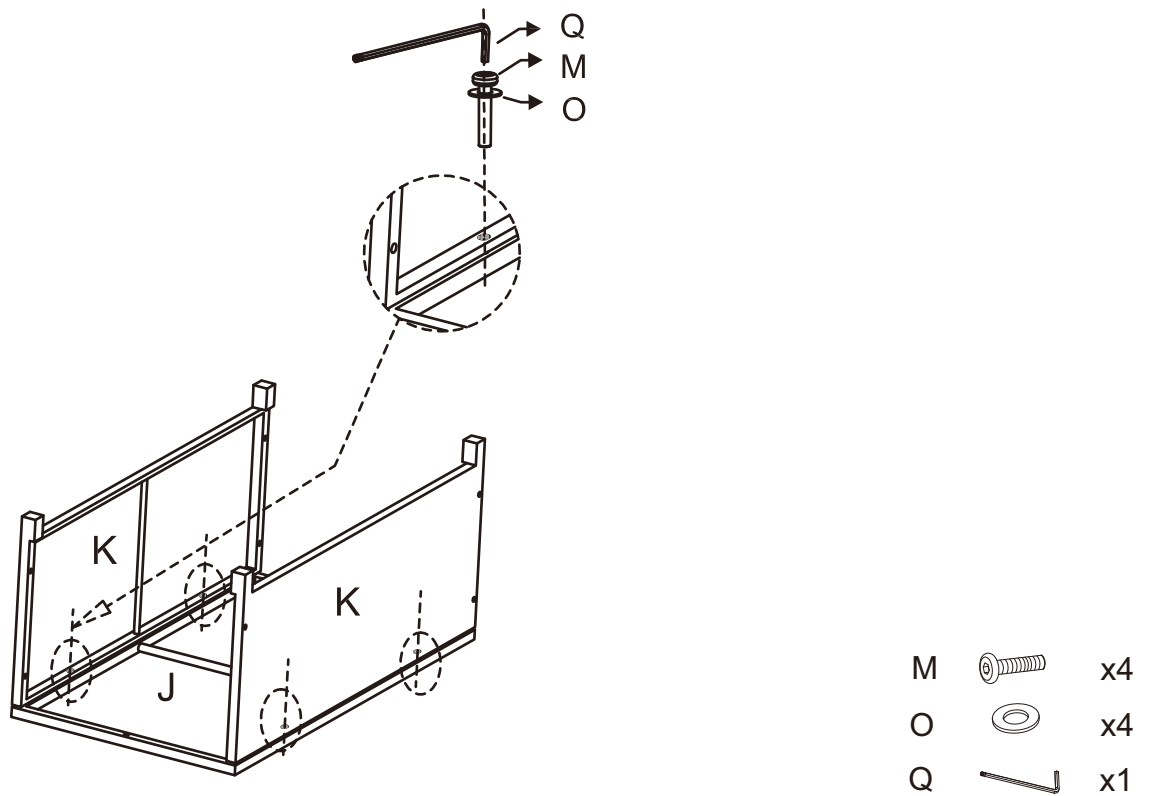
M		x10
O		x10
Q		x1

Step 10. Carefully turn the assembled unit upright. Add seat cushion (part V) as shown below.



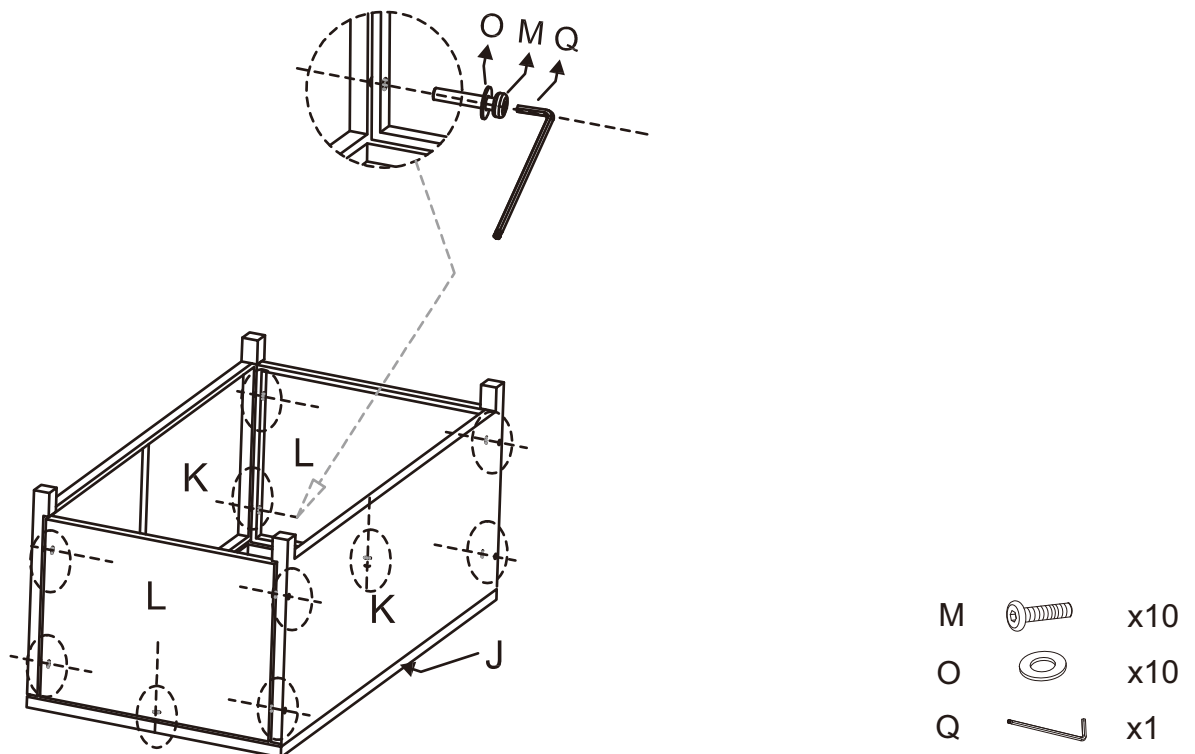
Step 11. Lay wicker top (part J) upside down on a soft flat surface, such as carpet, as shown below. Attach long side panels (part K) to wicker top (part J) using bolts (part M), flat washers (part O) and allen wrench (part Q).

NOTE: Please do not fully tighten bolts until unit is fully assembled.

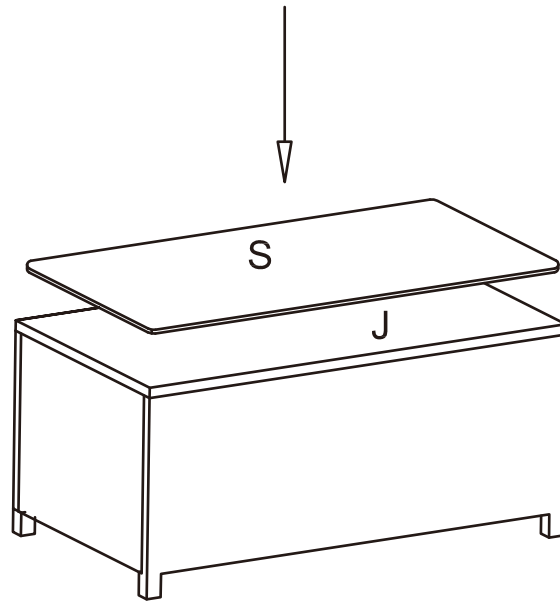


Step 12. Attach short side panels (part L) to wicker top (part J) and long side panels (part K) using bolts (part M), flat washers (part O) and allen wrench (part Q).

NOTE: Please fully tighten all bolts at this time.



Step 13. Carefully turn the unit upright. Place glass top (part S) on wicker top (part J).



Step 14. Add pillows (part W) as shown below.

