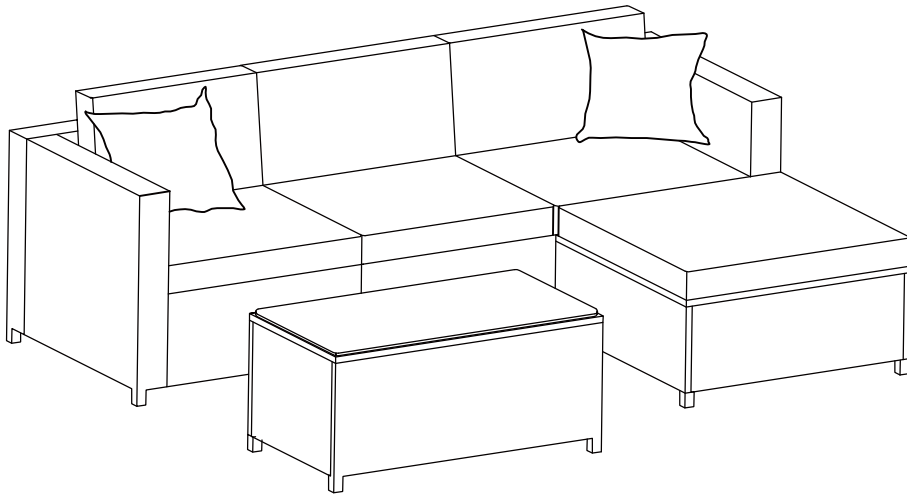
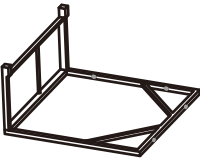

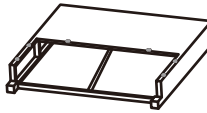
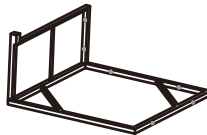
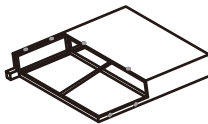
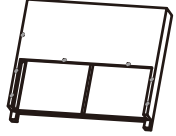

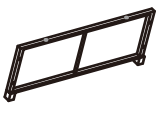
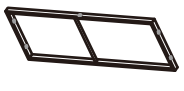
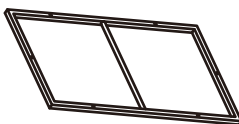
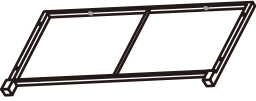
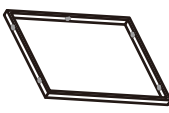

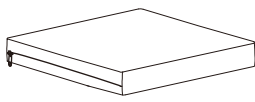
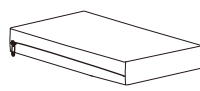
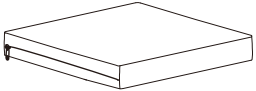
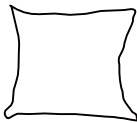




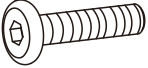
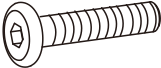
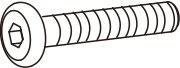




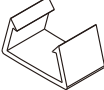
5 Piece Wicker Sofa Set
CO7179



PART LIST

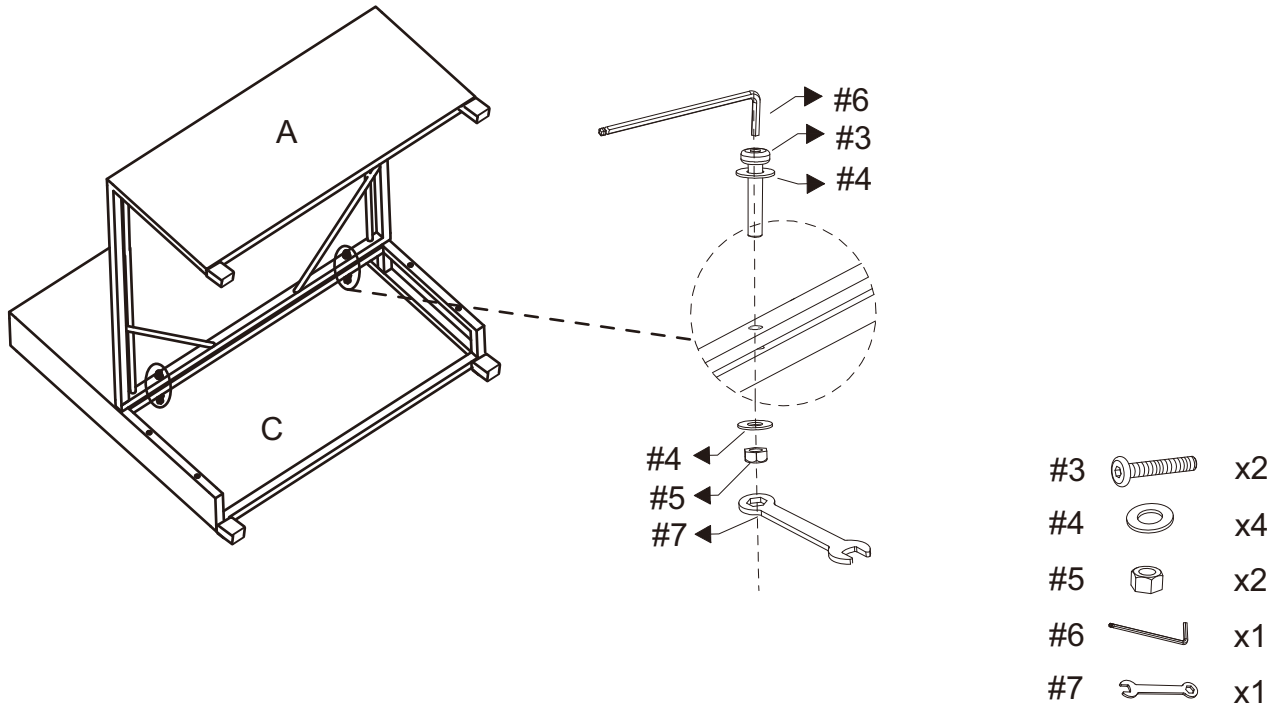
<p>A</p>  <p>(armless chair)</p>	<p>B</p>  <p>(armless&corner chair)</p>	<p>C</p>  <p>(armless chair)</p>	<p>D</p>  <p>(corner chair)</p>	<p>E</p>  <p>(cornerchair)</p>
<p>Seat Panel 1 PC</p>	<p>Side Panel 4 PCS</p>	<p>Back Panel 1 PC</p>	<p>Seat Panel 2 PCS</p>	<p>Arm Panel 2 PCS</p>
<p>F</p>  <p>(corner chair)</p>	<p>G</p>  <p>(ottoman)</p>	<p>H</p>  <p>(ottoman)</p>	<p>I</p>  <p>(ottoman)</p>	<p>J</p>  <p>(coffee table)</p>
<p>Back Panel 2 PCS</p>	<p>Wicker Top 1 PC</p>	<p>Long Side Panel 2 PCS</p>	<p>Short Side Panel 2 PCS</p>	<p>Wicker Top 1 PC</p>
<p>K</p>  <p>(coffee table)</p>	<p>L</p>  <p>(coffee table)</p>	<p>M</p>  <p>(coffee table)</p>	<p>N</p>  <p>(armless&corner chair)</p>	<p>O</p>  <p>(armless&corner chair)</p>
<p>Long Side Panel 2 PCS</p>	<p>Short Side Panel 2 PCS</p>	<p>Glass Top 1 PC</p>	<p>Seat Cushion 3 PCS</p>	<p>Back Cushion 3 PCS</p>
<p>P</p>  <p>(ottoman)</p>	<p>Q</p> 			
<p>Seat Cushion 1 PC</p>	<p>Pillow 2 PCS</p>			

HARDWARE LIST

<p>#1</p>  <p>M6*30mm</p>	<p>#2</p>  <p>M6*40mm</p>	<p>#3</p>  <p>M6*50mm</p>	<p>#4</p>  <p>M6mm</p>	<p>#5</p>  <p>M6mm</p>		
<p>Short Bolt 40 PCS (Extra 4)</p>		<p>Medium Bolt 18 PCS (Extra 2)</p>		<p>Long Bolt 10 PCS (Extra 1)</p>	<p>Flat Washer 96 PCS (Extra 9)</p>	<p>Hex Nut 28 PCS (Extra 3)</p>
<p>#6</p>  <p>M6mm</p>	<p>#7</p>  <p>M6mm</p>	<p>#8</p> 				
<p>Allen Wrench 2 PCS</p>		<p>Wrench 2 PCS</p>		<p>Plastic Clip 6 PCS</p>		

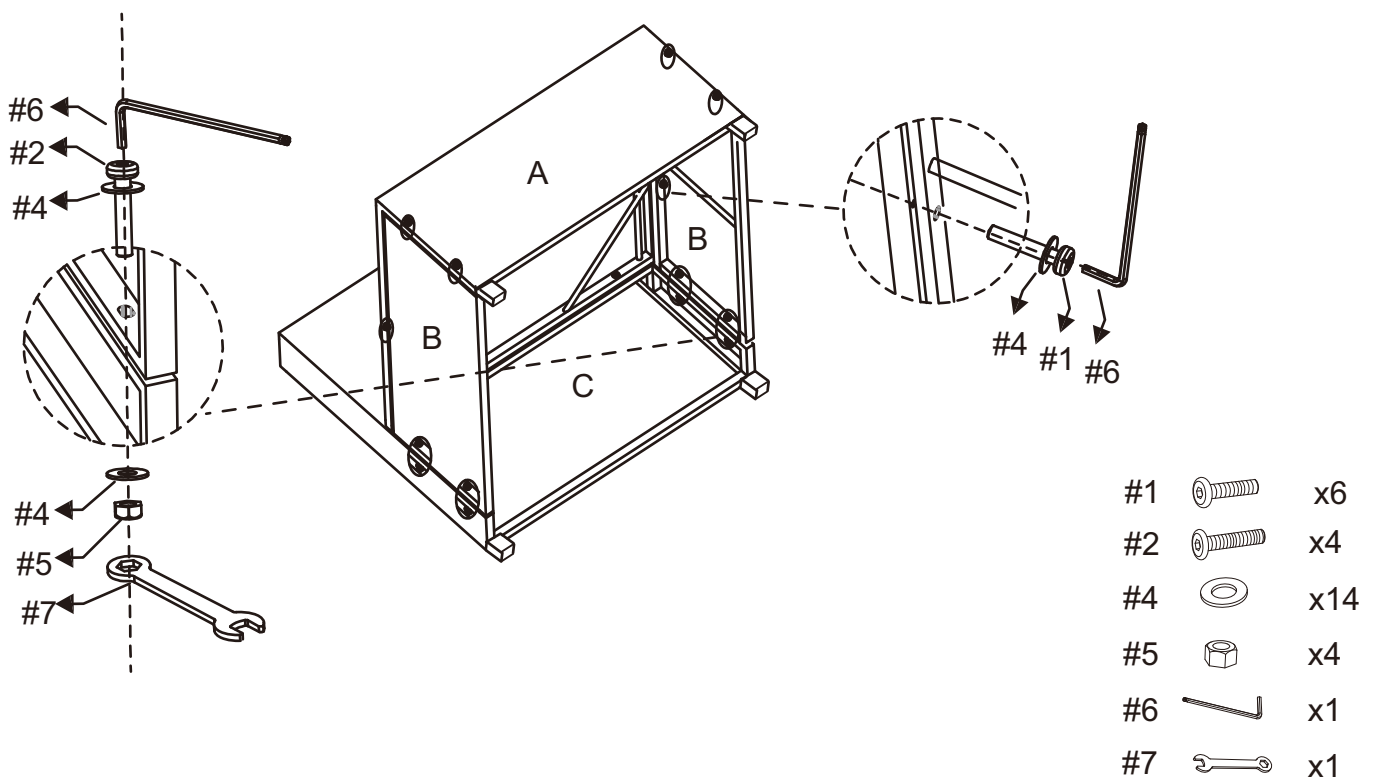
Step 1. Lay back panel (part C) upside down on a soft flat surface, such as carpet, as shown below. Attach seat panel (part A) to back panel (part C) using long bolts (part #3), flat washers (part #4), hex nuts (part #5), allen wrench (part #6) and wrench (part #7).

NOTE: Please do not fully tighten bolts until unit is fully assembled.

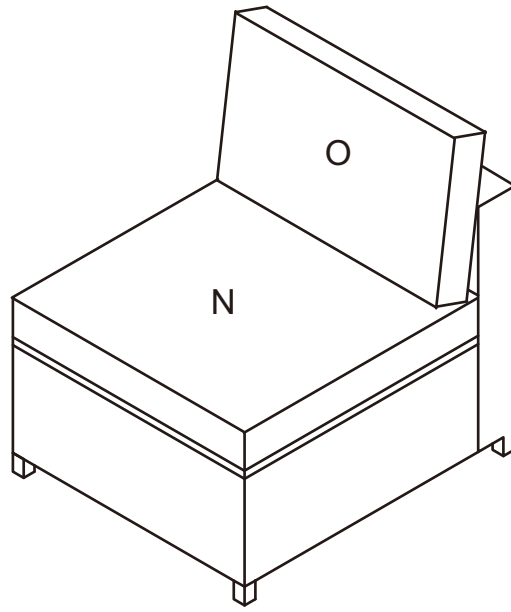


Step 2. Attach side panels (part B) to back panel (part C) and seat panel (part A) using short bolts (part #1), medium bolts (part #2), flat washers (part #4), hex nuts (part #5), allen wrench (part #6) and wrench (part #7).

NOTE: Please fully tighten all bolts at this time.

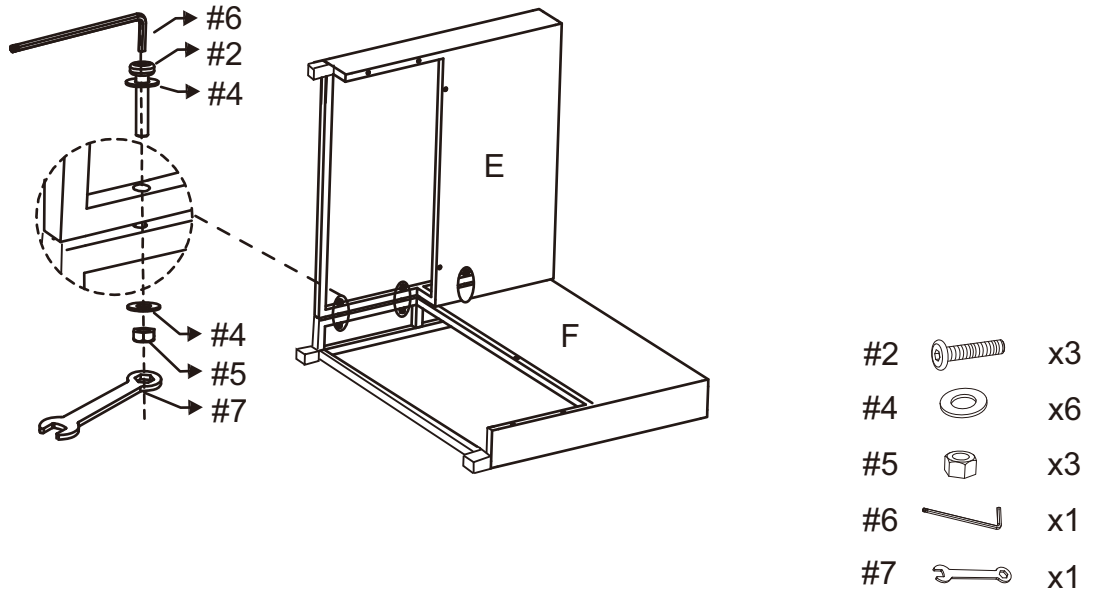


Step 3. Carefully turn unit upright. Add seat cushion (part N) and back cushion (part O) as shown below.



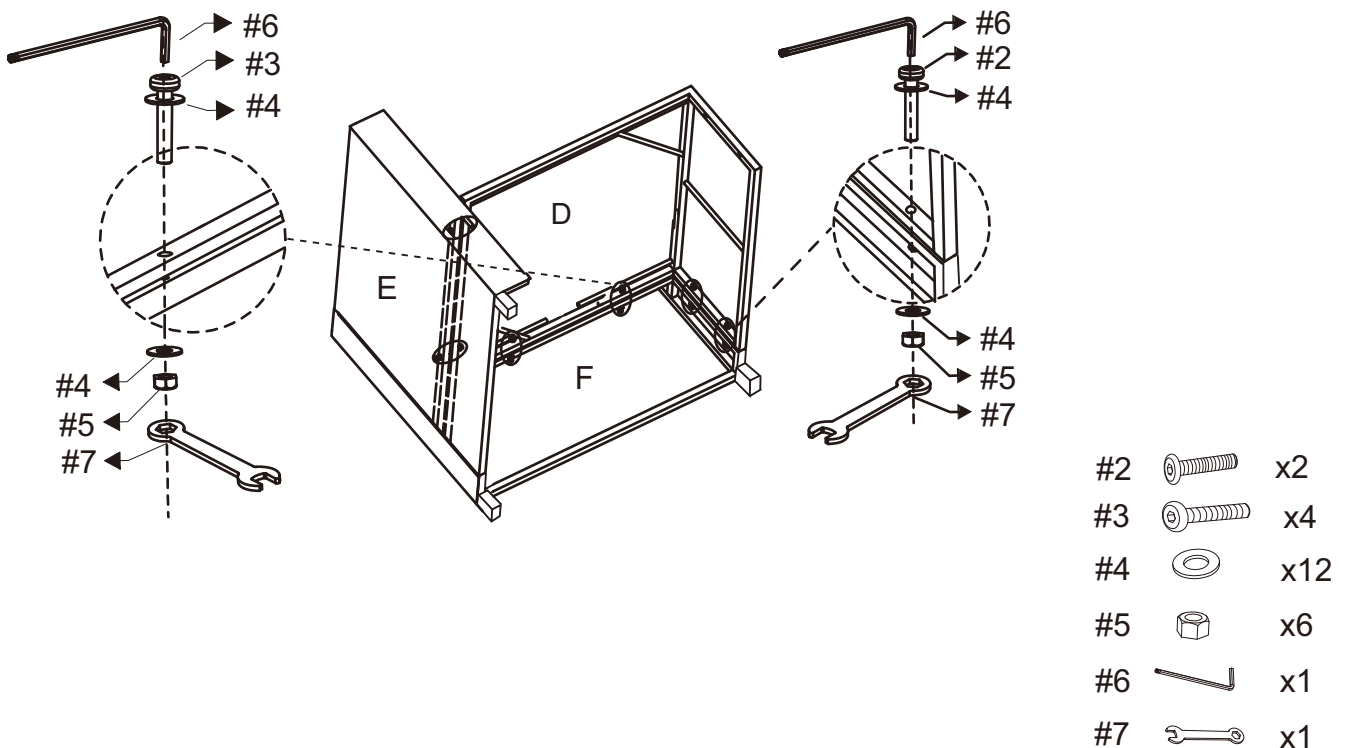
Step 4. Lay back panel (part F) upside down on a soft flat surface, such as carpet, as shown below. Attach arm panel (part E) to back panel (part F) using medium bolts (part #2), flat washers (part #4), hex nuts (part #5), allen wrench (part #6) and wrench (part #7).

NOTE: Please do not fully tighten bolts until unit is fully assembled.



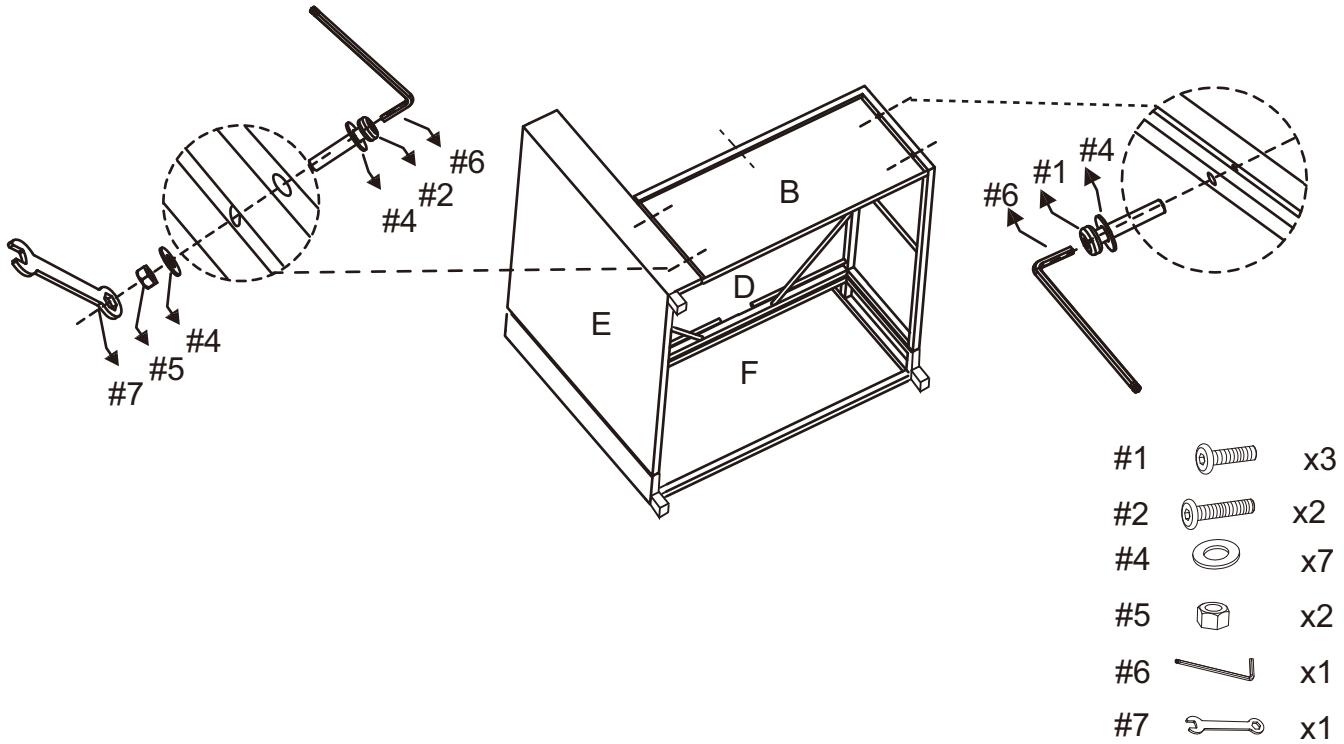
Step 5. Attach seat panel (part D) to back panel (part F) and arm panel (part E) using medium bolts (part #2), long bolts (part #3), flat washers (part #4), hex nuts (part #5), allen wrench (part #6) and wrench (part #7).

NOTE: Please do not fully tighten bolts until unit is fully assembled.

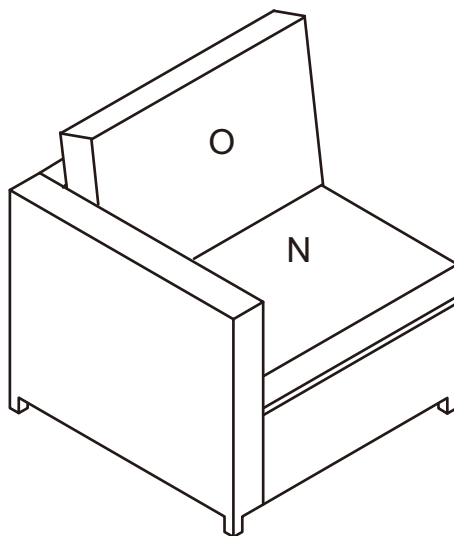


Step 6. Attach side panel (part B) to arm panel (part E) and seat panel (part D) using short bolts (part #1), medium bolts (part #2), flat washers (part #4), hex nuts (part #5), allen wrench (part #6) and wrench (part #7).

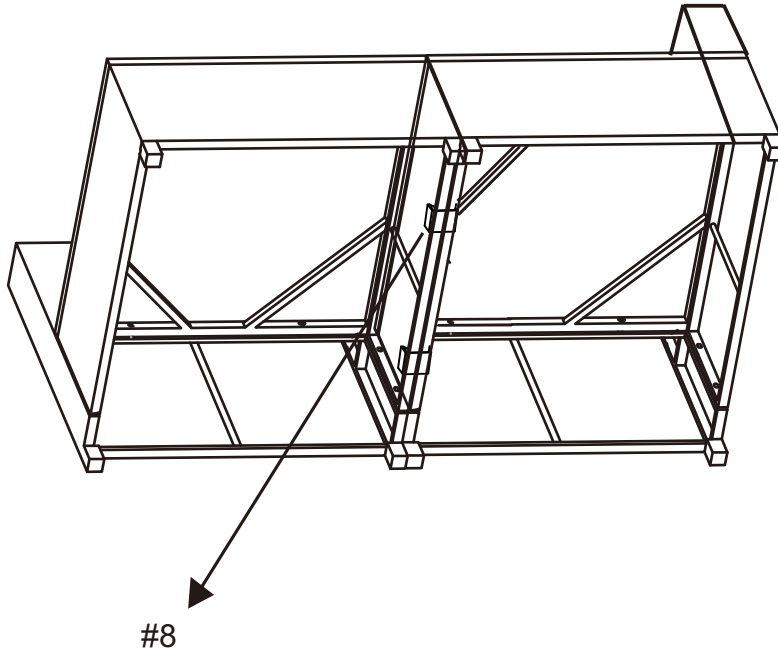
NOTE: Please fully tighten all bolts at this time.



Step 7. Carefully turn unit upright. Add seat cushion (part N) and back cushion (part O) as shown below. Repeat steps 4-7 to assemble remaining corner chair.



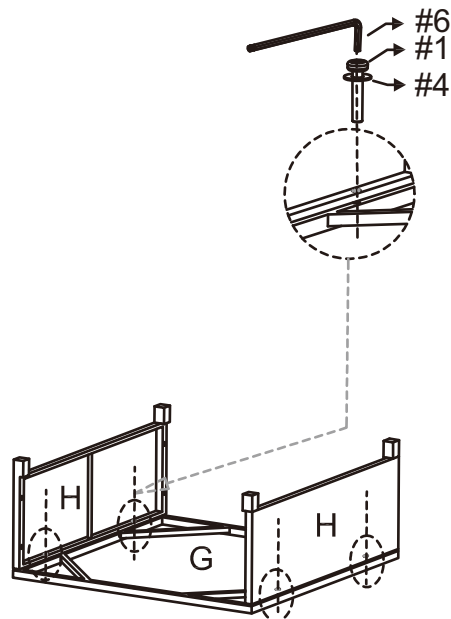
Step 8. Use plastic clips (part #8) to secure additional units together as shown.

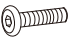




#8  x6

Step 9. Lay wicker top (part G) upside down on a soft flat surface, such as carpet, as shown below. Attach long side panels (part H) to wicker top (part G) using short bolts (part #1), flat washers (part #4) and allen wrench (part #6).

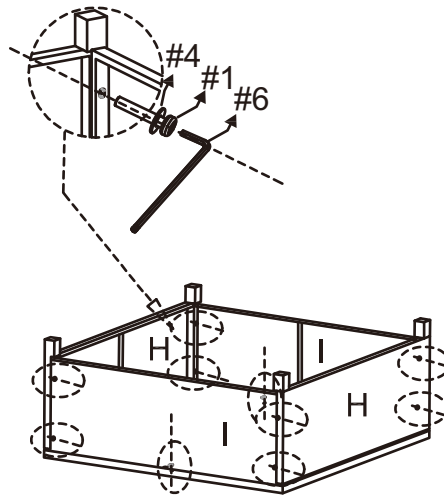
NOTE: Please do not fully tighten bolts until unit is fully assembled.






#1  x4
#4  x4
#6  x1

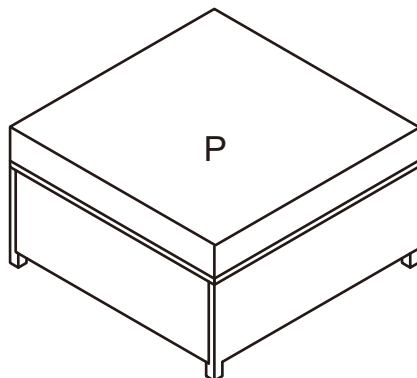
Step 10. Attach short side panels (part I) to wicker top (part G) and long side panels (part H) using short bolts (part #1), flat washers (part #4) and allen wrench (part #6).

NOTE: Please fully tighten all bolts at this time.



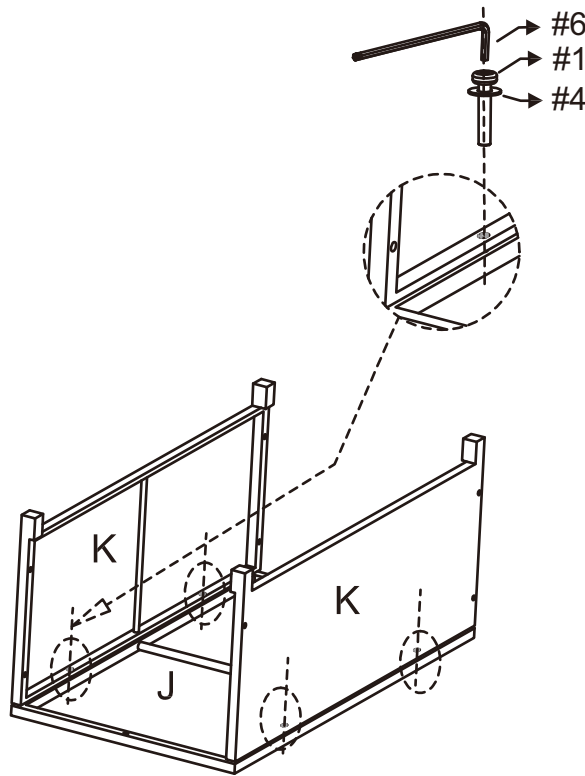
- | | | |
|----|---|-----|
| #1 |  | x10 |
| #4 |  | x10 |
| #6 |  | x1 |

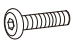


Step 11. Carefully turn unit upright. Add seat cushion (part P) as shown below.



Step 12. Lay wicker top (part J) upside down on a soft flat surface, such as carpet, as shown below. Attach long side panels (part K) to wicker top (part J) using short bolts (part #1), flat washers (part #4) and allen wrench (part #6).

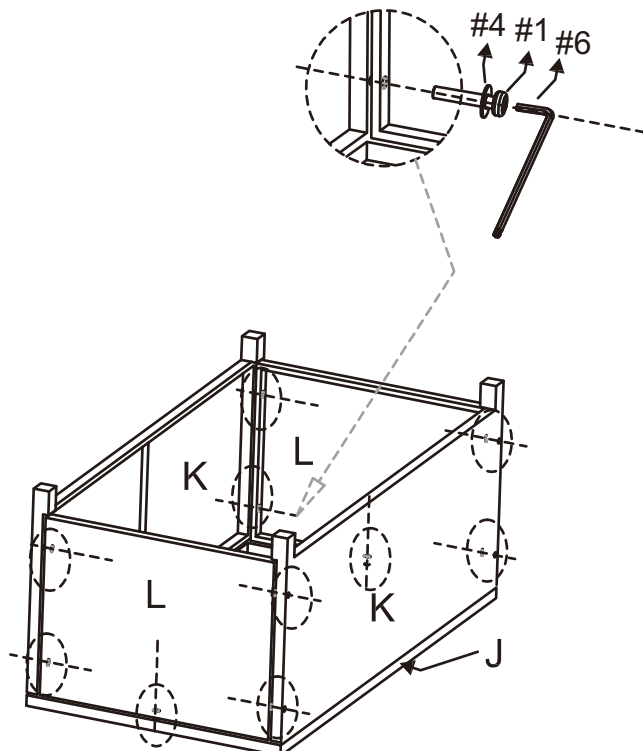
NOTE: Please do not fully tighten bolts until unit is fully assembled.

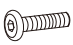




- | | | |
|----|--|----|
| #1 |  | x4 |
| #4 |  | x4 |
| #6 |  | x1 |

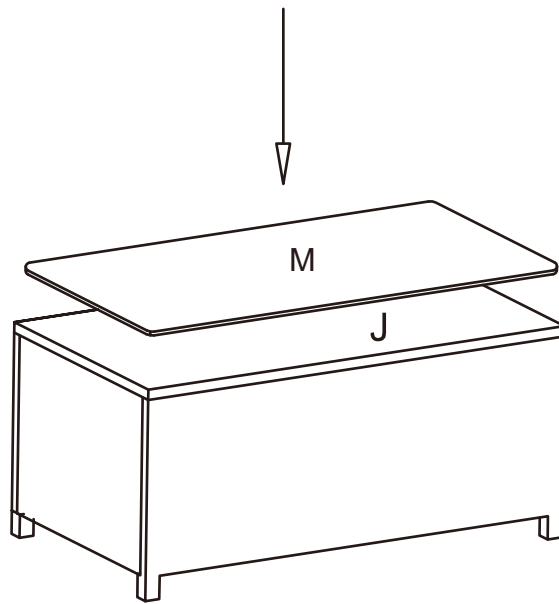
Step 13. Attach short side panels (part L) to wicker top (part J) and long side panels (part K) using short bolts (part #1), flat washers (part #4) and allen wrench (part #6).

NOTE: Please fully tighten all bolts at this time.



- | | | |
|----|---|-----|
| #1 |  | x10 |
| #4 |  | x10 |
| #6 |  | x1 |

Step14. Carefully turn unit upright. Place glass top (part M) on wicker top (part J).



Step15. Add pillows (part Q) as shown below.

