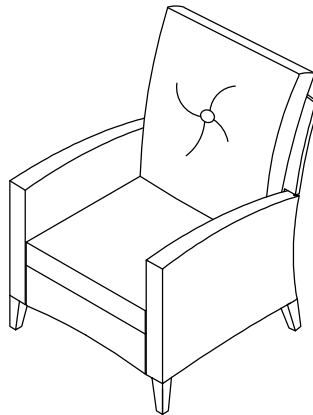
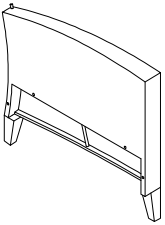
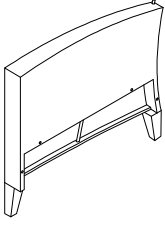
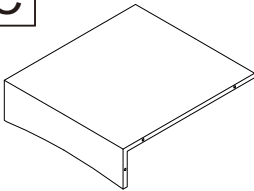
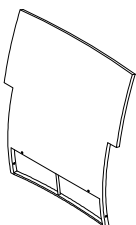
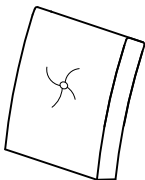
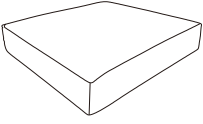




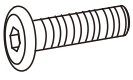


Outdoor Wicker Arm Chair
CO7160



PART LIST

A 	B 	C 	D 	E 
Right Arm Panel 1 PC	Left Arm Panel 1 PC	Seat Panel 1 PC	Back Panel 1 PC	Back Cushion 1 PC
F 				
Seat Cushion 1 PC				

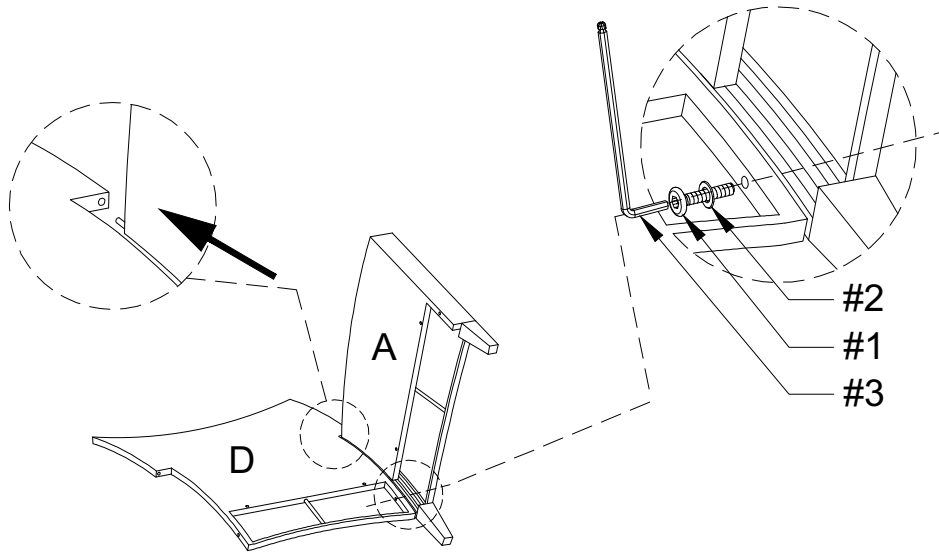
HARDWARE LIST




#1 	#2 	#3 
M6*35mm Bolt 10 PCS (Extra 1)	M6mm Flat Washer 10 PCS (Extra 1)	M6mm Allen Wrench 1 PC

Step 1. Lay back panel (part D) down on a soft flat surface, such as carpet, as shown below.

Attach right arm panel (part A) to back panel (part D) using bolt (part #1), flat washer (part #2) and allen wrench (part #3).

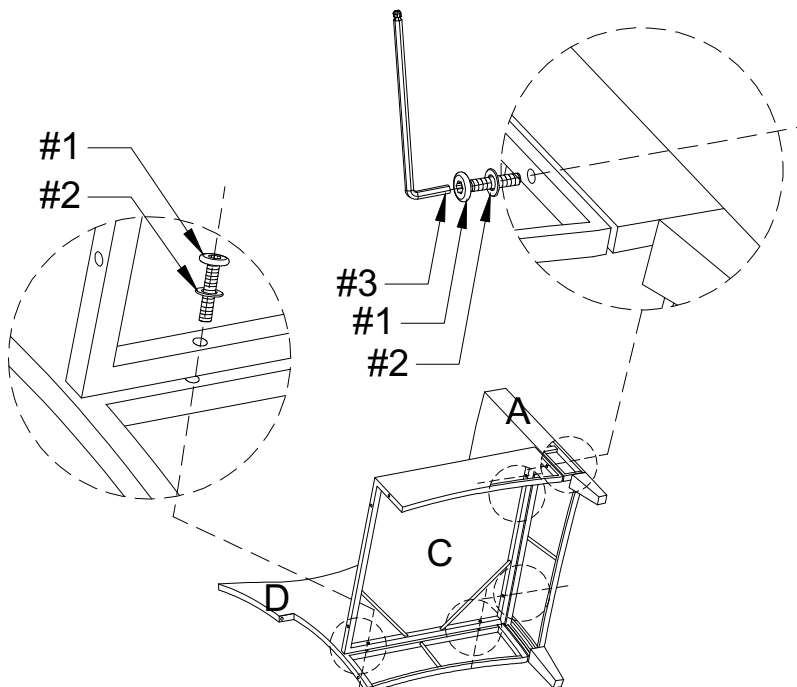
NOTE: Please do not fully tighten bolts until unit is fully assembled.






- | | | |
|----|---|----|
| #1 |  | x1 |
| #2 |  | x1 |
| #3 |  | x1 |

Step 2. Attach seat panel (part C) to right arm panel (part A) and back panel (part D) using bolts (part #1), flat washers (part #2) and allen wrench (part #3).

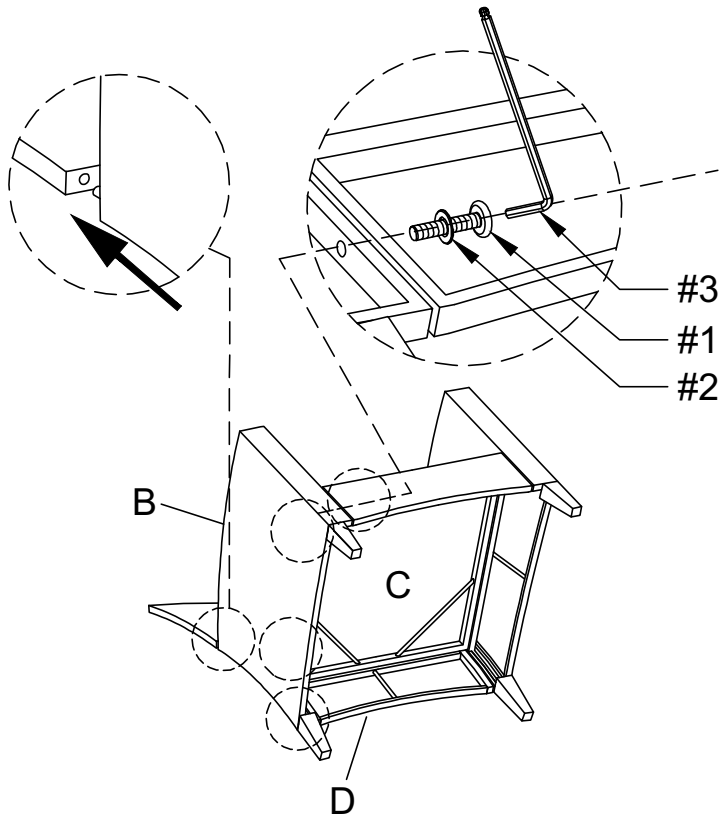
NOTE: Please do not fully tighten bolts until unit is fully assembled.



- | | | |
|----|---|----|
| #1 |  | x5 |
| #2 |  | x5 |
| #3 |  | x1 |

Step 3. Attach left arm panel (part B) to back panel (part D) and seat panel (part C) using bolts (part #1), flat washers (part #2) and allen wrench (part #3).

NOTE: Please fully tighten all bolts at this time.



Step 4. Carefully turn unit upright. Place seat cushion (part F) and back cushion (part E) as shown below.

