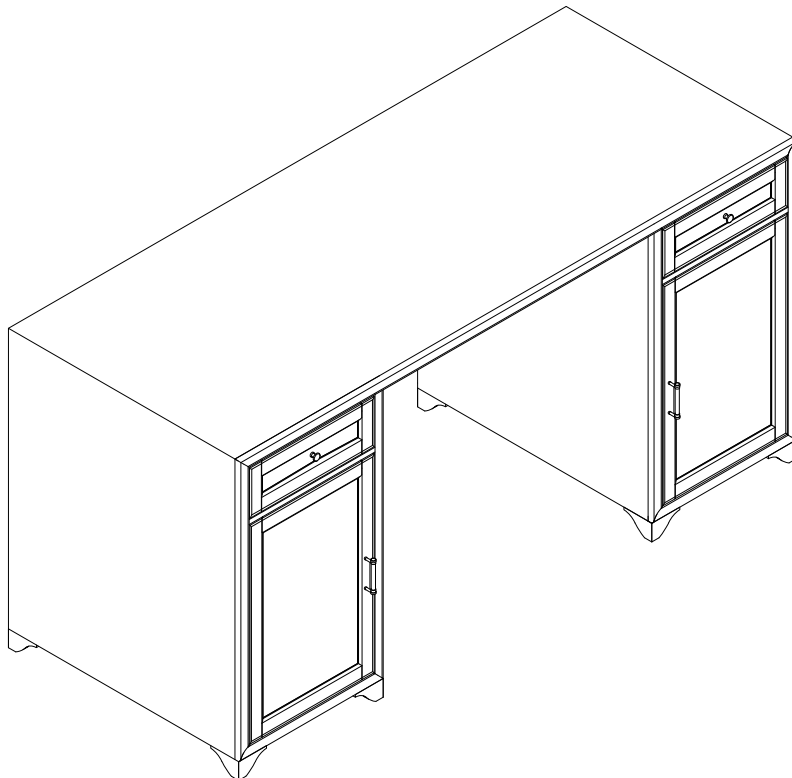
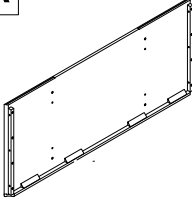
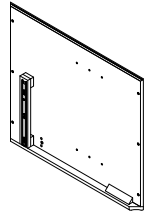
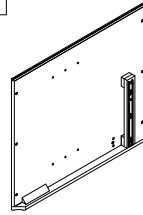
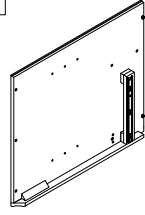
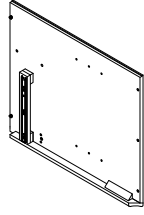

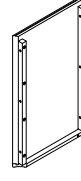
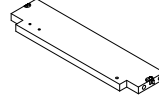
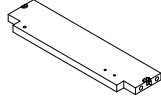
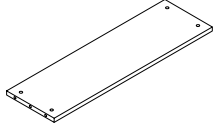
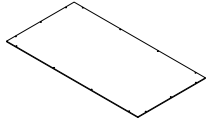

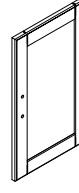
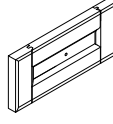
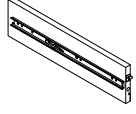
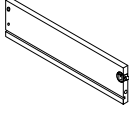
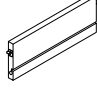
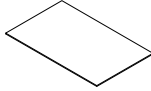
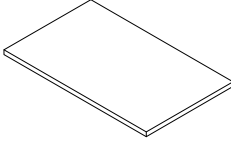
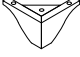




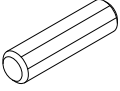
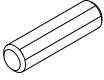
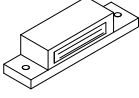
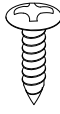

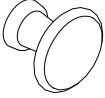
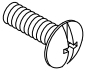
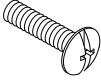
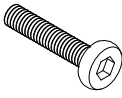
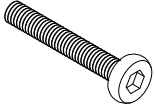
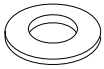

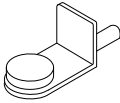

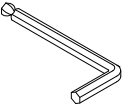
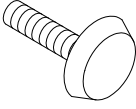
Desk
CF6513



PART LIST

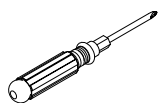
<p>A</p> 	<p>B</p> 	<p>C</p> 	<p>D</p> 	<p>E</p> 
<p>Top Panel 1 PC</p>	<p>Left Panel 1 PC</p>	<p>Right Panel 1 PC</p>	<p>Left Partition Panel 1 PC</p>	<p>Right Partition Panel 1 PC</p>
<p>F</p> 	<p>G</p> 	<p>H</p> 	<p>I</p> 	<p>J</p> 
<p>Left Bottom Panel 1 PC</p>	<p>Right Bottom Panel 1 PC</p>	<p>Left Cross Rail 1 PC</p>	<p>Right Cross Rail 1 PC</p>	<p>Back Cross Bar 1 PC</p>
<p>K</p> 	<p>L</p> 	<p>M</p> 	<p>N</p> 	<p>O</p> 
<p>Back Panel 2 PCS</p>	<p>Left Door Panel 1 PC</p>	<p>Right Door Panel 1 PC</p>	<p>Drawer Front Panel 2 PCS</p>	<p>Drawer Left Panel 2 PCS</p>
<p>P</p> 	<p>Q</p> 	<p>R</p> 	<p>S</p> 	<p>T</p> 
<p>Drawer Right Panel 2 PCS</p>	<p>Drawer Back Panel 2 PCS</p>	<p>Drawer Bottom Panel 2 PCS</p>	<p>Adjustable Shelf 2 PCS</p>	<p>Leg 8 PCS</p>

HARDWARE LIST

<p>#1</p>  <p>Ø8*30mm</p>	<p>#2</p>  <p>Ø6*30mm</p>	<p>#3</p> 	<p>#4</p> 	<p>#5</p> 
<p>Wood Dowel 30 PCS (Extra 1)</p>	<p>Small Wood Dowel 8 PCS (Extra 1)</p>	<p>Magnet 2 PCS</p>	<p>Round Head Screw 4 PCS (Extra 1)</p>	<p>Handle 2 PCS</p>
<p>#6</p> 	<p>#7</p> 	<p>#8</p> 	<p>#9</p> 	<p>#10</p> 
<p>Knob 2 PCS</p>	<p>Short Round Head Bolt 2 PCS (Extra 1)</p>	<p>Long Round Head Bolt 4 PCS (Extra 1)</p>	<p>Short Bolt 26 PCS (Extra 1)</p>	<p>Long Bolt 4 PCS (Extra 1)</p>
<p>#11</p> 	<p>#12</p> 	<p>#13</p> 	<p>#14</p> 	<p>#15</p> 
<p>Flat Washer 8 PCS (Extra 1)</p>	<p>Spring Washer 8 PCS (Extra 1)</p>	<p>Shelf Holder 8 PCS (Extra 1)</p>	<p>Screw 28 PCS (Extra 1)</p>	<p>Barrel Nut 4 PCS</p>
<p>#16</p> 	<p>#17</p> 			
<p>Allen Wrench 1 PC</p>	<p>Adjustable Leveler 8 PCS</p>			

ADDITIONAL TOOLS (Not Provided)

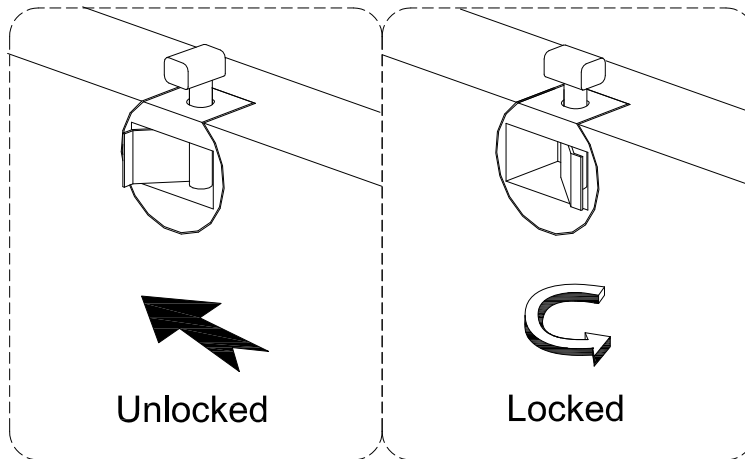
Note: It is not recommended to use power tools during assembly.



Phillips Head Screwdriver

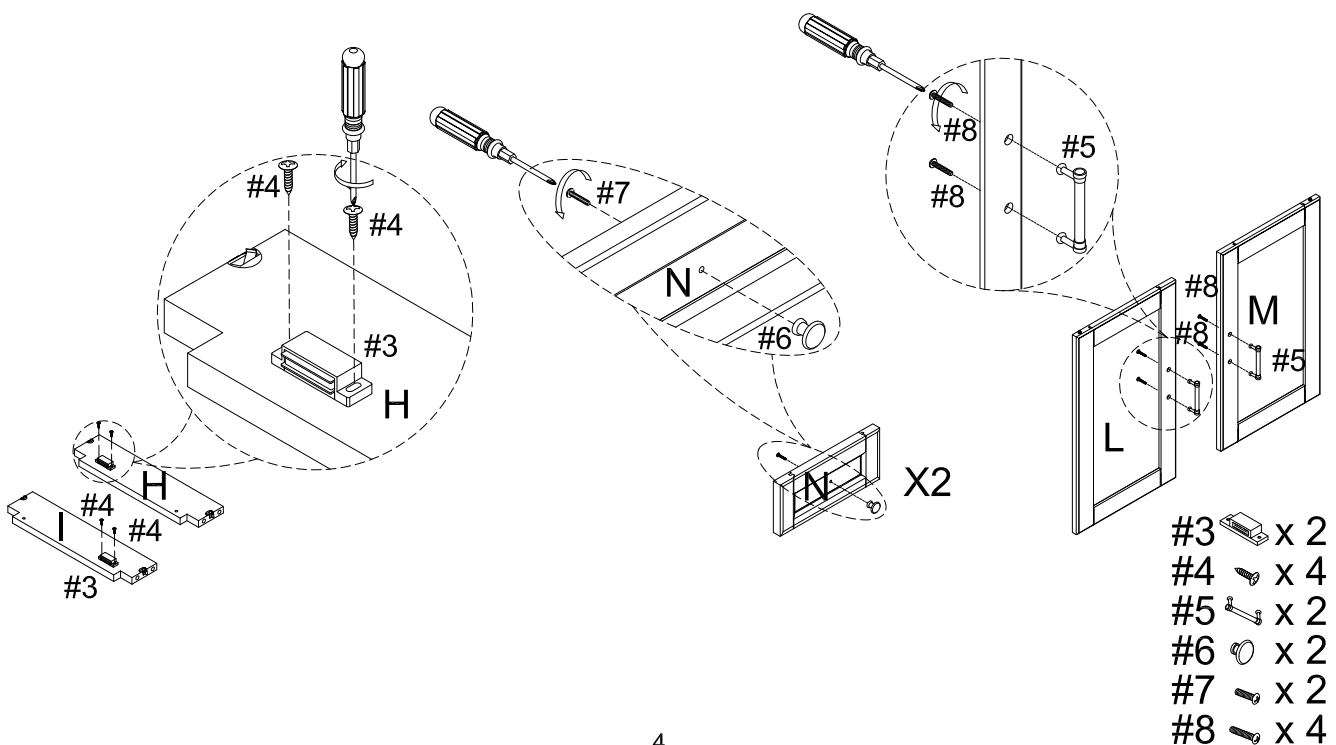
Note: Wood dowels are intended for alignment. Additional clearance between wood dowel and pre-drilled hole is intentional for ease of assembly.

Please do not use tools to assemble this unit unless specifically indicated.

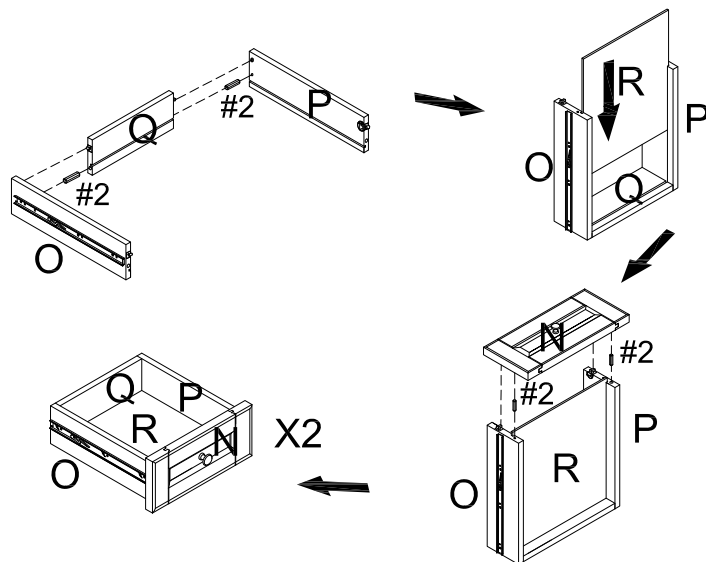


Reference the images above any time the instructions state "lock the hardware".
 Note: Be sure to check all hardware is locked when completed.

Step 1. Attach magnets (part #3) to cross rails (parts H & I) using round head screws (part #4) and phillips head screwdriver. Attach handles (part #5) to door panels (parts L & M) using long round head bolts (part #8) and phillips head screwdriver. Attach knobs (part #6) to drawer front panels (part N) using short round head bolts (part #7) and phillips head screwdriver.

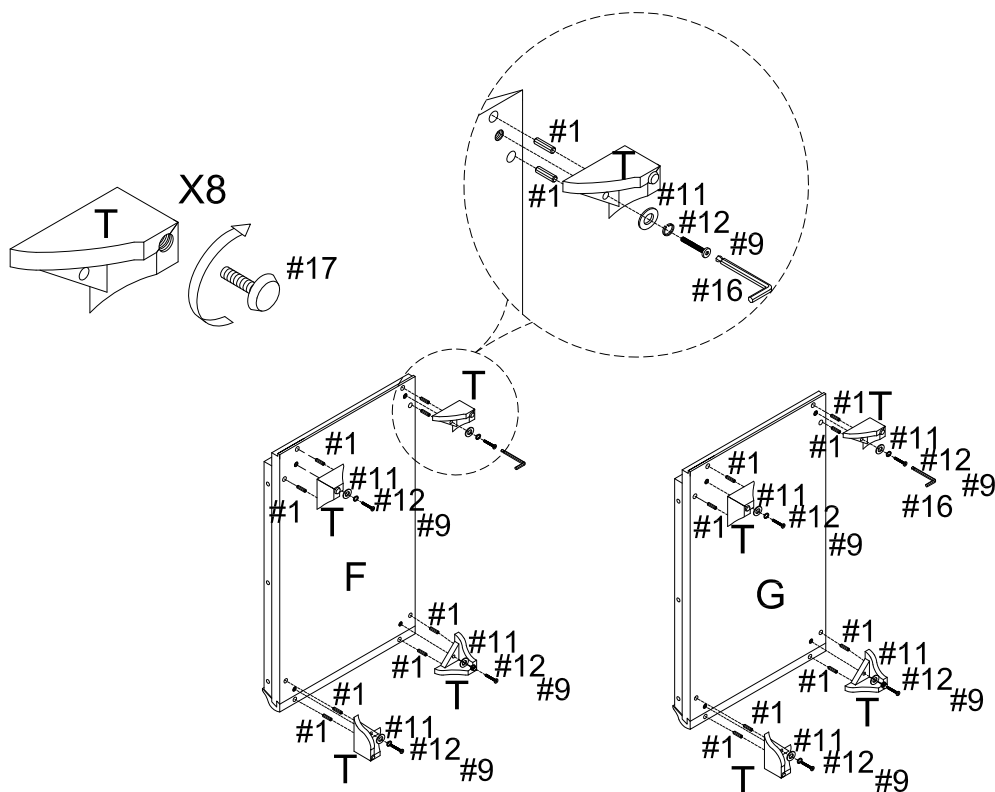








Step 2. Attach drawer panels (parts O & P) to drawer back panel (part Q) using small wood dowels (part #2) and lock the hardware. Slide drawer bottom panel (part R) into grooves of assembled unit (parts O, P & Q). Attach drawer front panel (part N) to assembled unit (parts O, P & R) using small wood dowels (part #2) and lock the hardware. Repeat for remaining drawer.



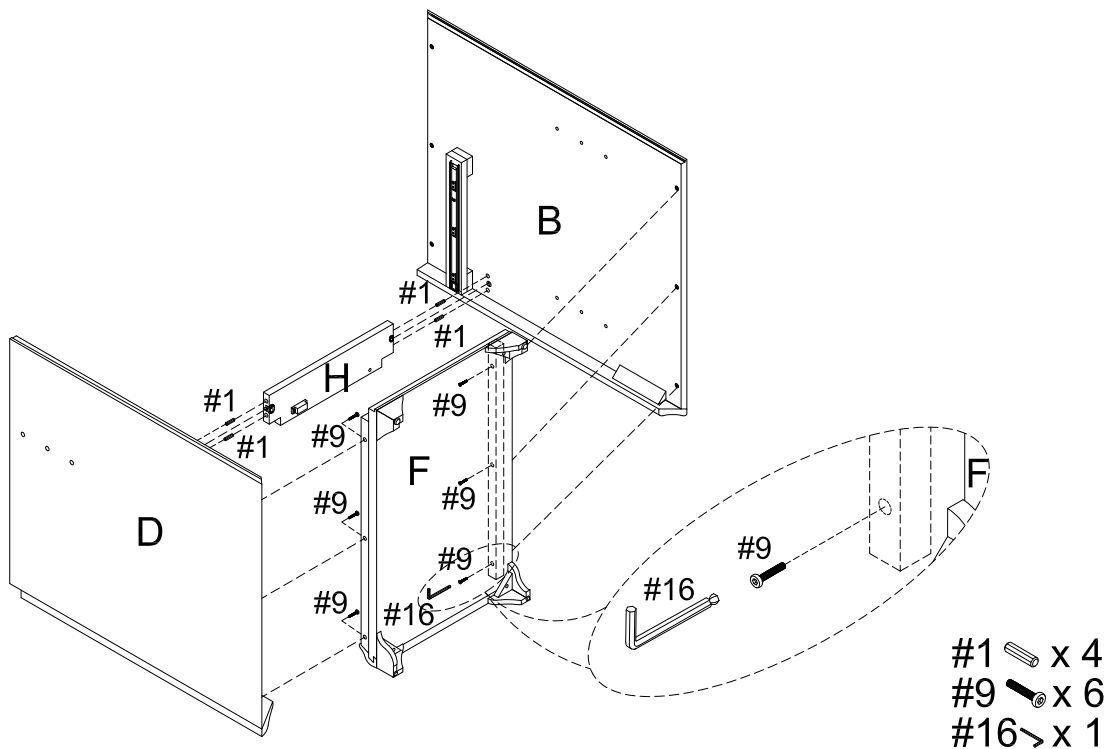
#2  x 8

Step 3. Attach adjustable levelers (part #17) to legs (part T). Attach legs (part T) to bottom panels (parts F & G) using wood dowels (part #1), short bolts (part #9), flat washers (part #11), spring washers (part #12) and allen wrench (part #16).

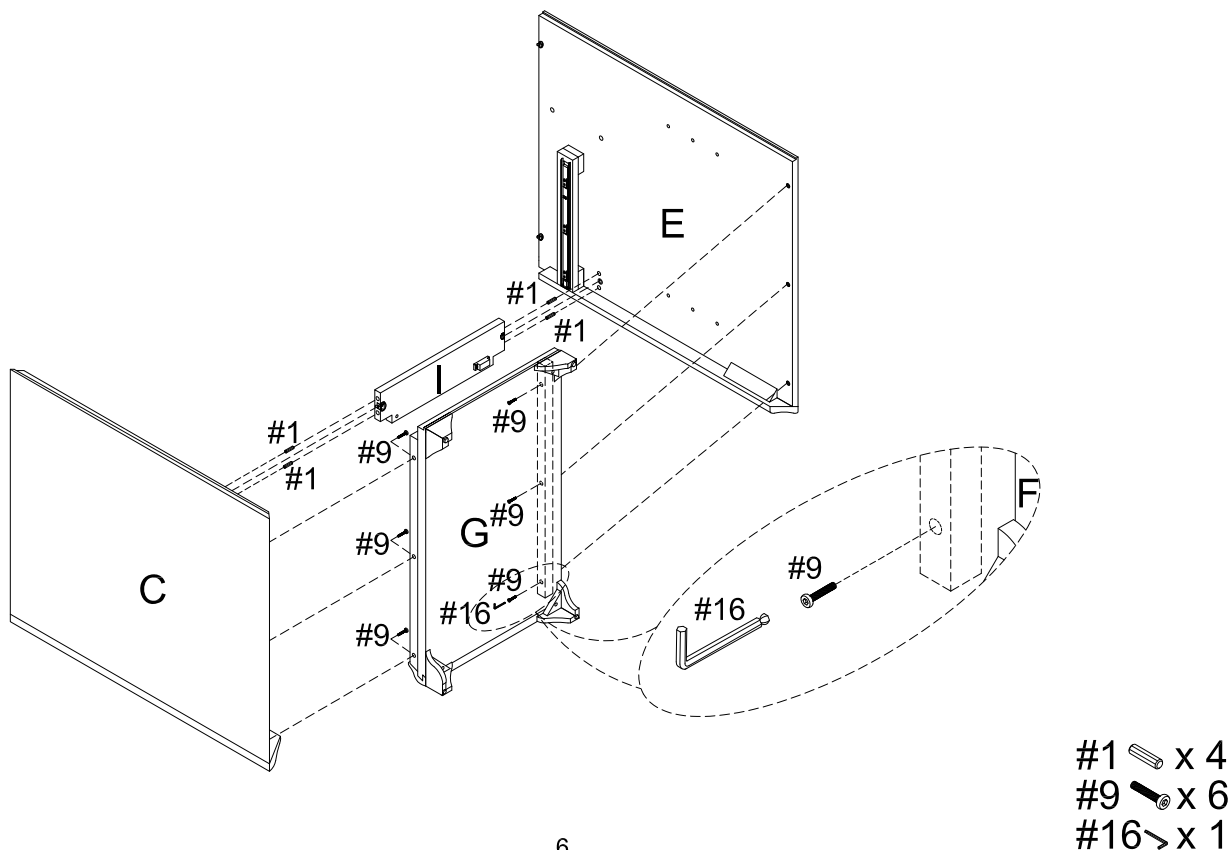


#1  x 16
 #9  x 8
 #11  x 8
 #12  x 8
 #16  x 1
 #17  x 8

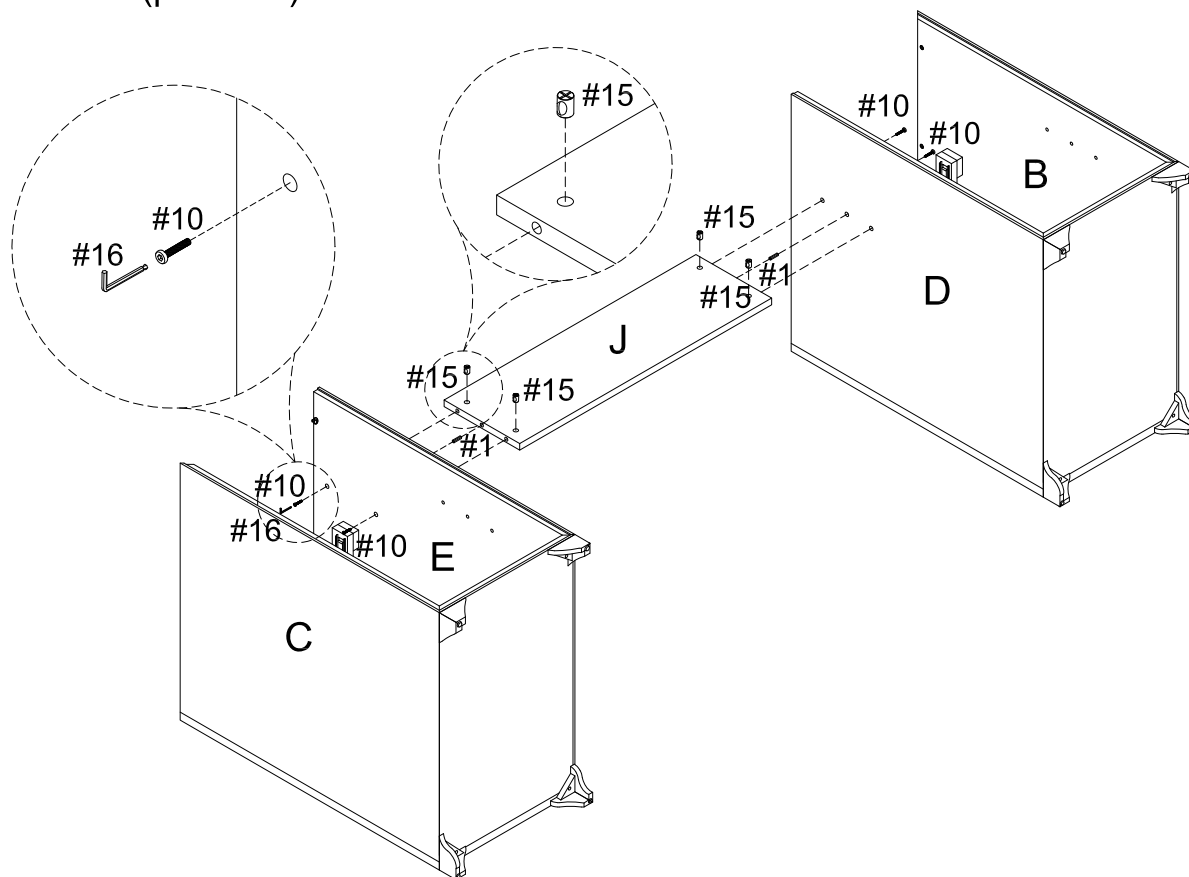
Step 4. Attach left panel (part B) and left partition panel (part D) to left cross rail (part H) and left bottom panel (part F) using wood dowels (part #1), short bolts (part #9), allen wrench (part #16) and lock the hardware.



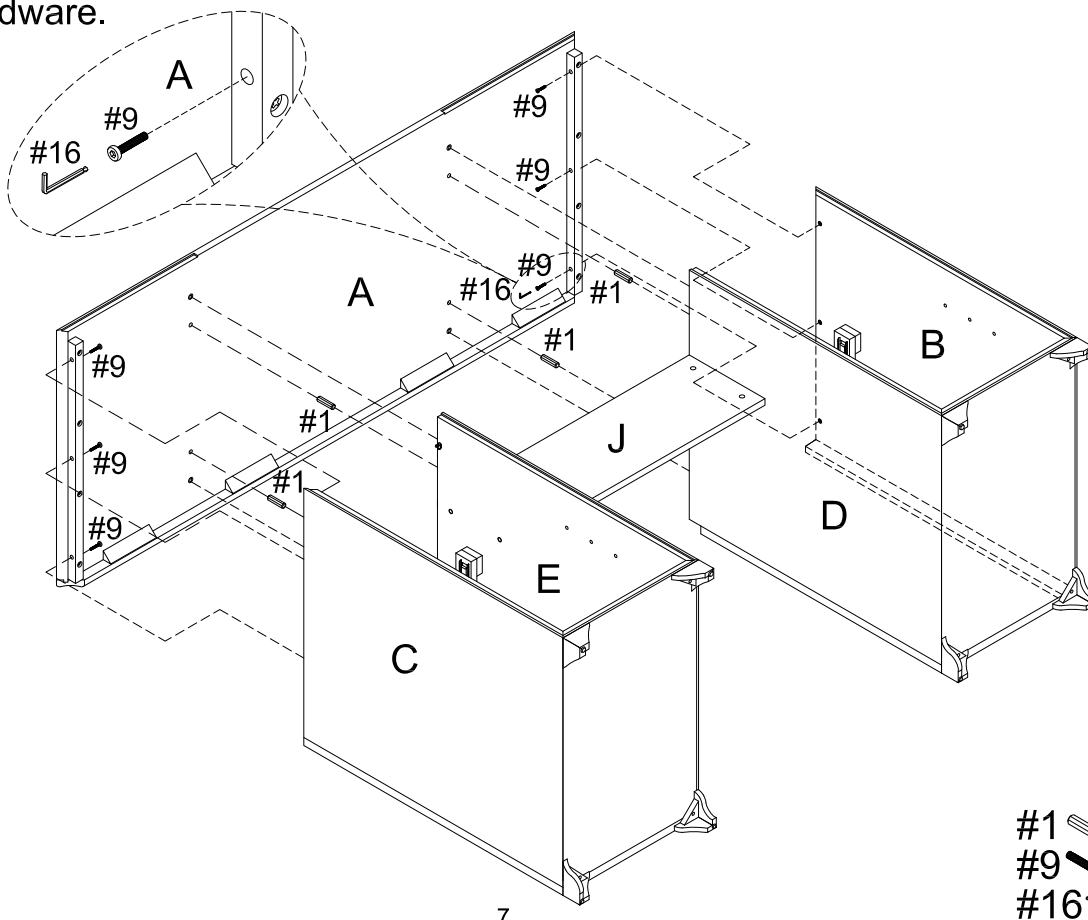
Step 5. Attach right panel (part C) and right partition panel (part E) to right cross rail (part I) and right bottom panel (part G) using wood dowels (part #1), short bolts (part #9), allen wrench (part #16) and lock the hardware.



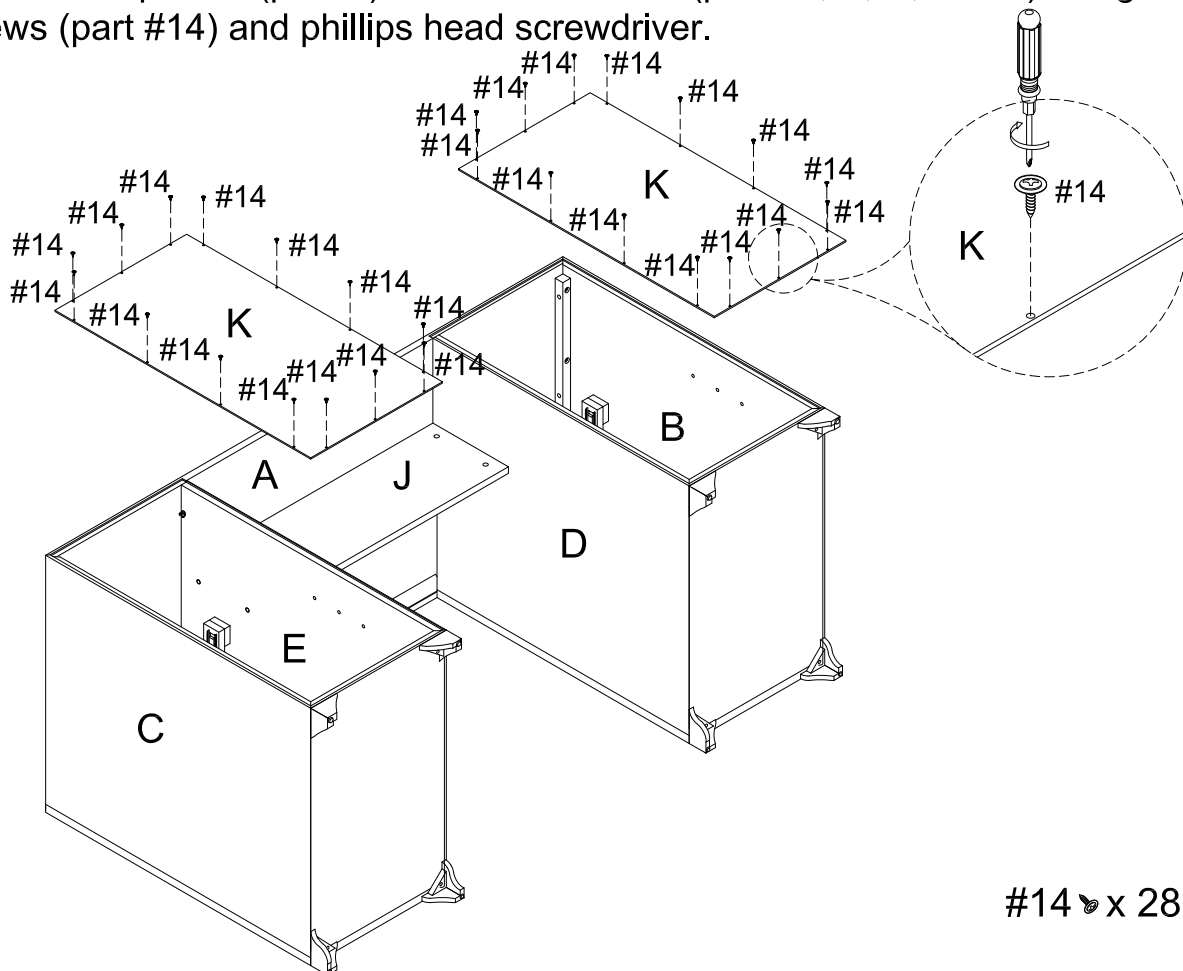
Step 6. Attach back cross bar (part J) to partition panels (parts D & E) using wood dowels (part #1), long bolts (part #10), barrel nuts (part #15) and allen wrench (part #16).



Step 7. Attach top panel (part A) to assembled unit (parts B, C, D, E & J) using wood dowels (part #1), short bolts (part #9), allen wrench (part #16) and lock the hardware.

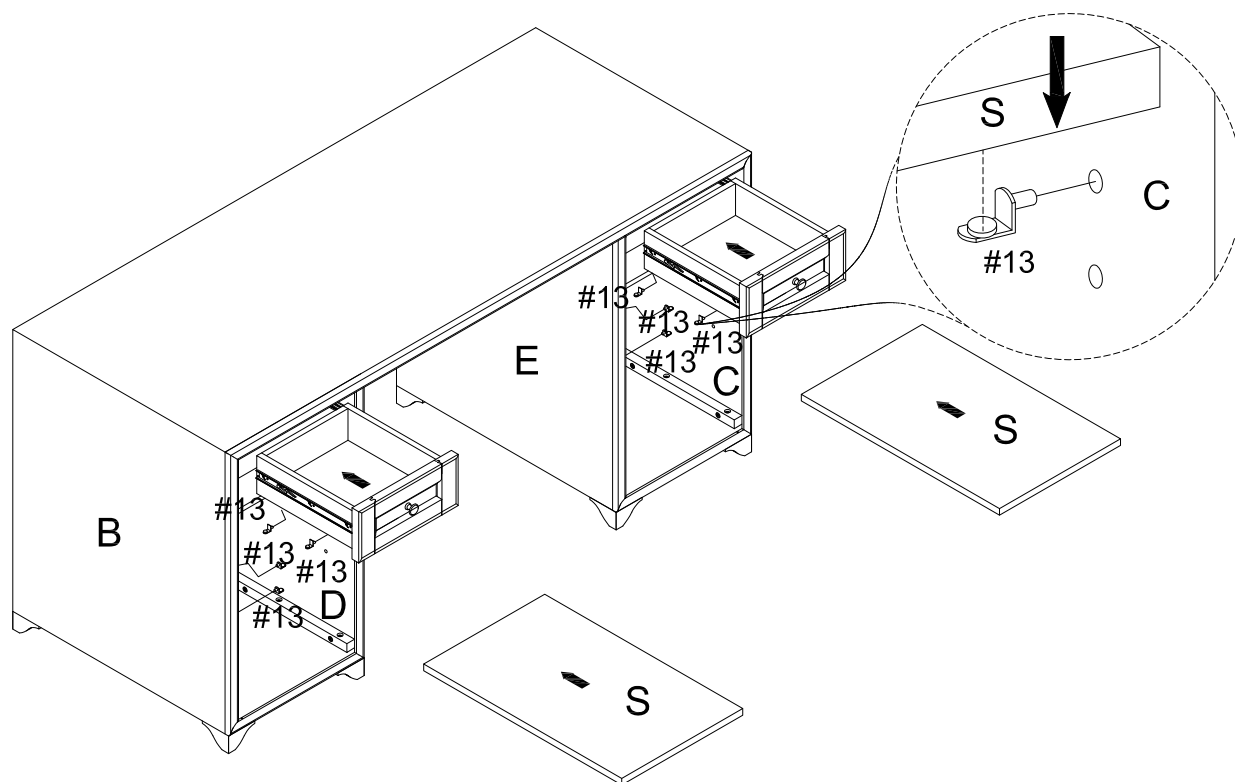


Step 8. Attach back panels (part K) to assembled unit (parts A, B, C, D & E) using screws (part #14) and phillips head screwdriver.



#14 x 28

Step 9. Carefully turn unit upright. Place shelf holders (part #13) into desired position and then slide adjustable shelves (part S) into place. Slide assembled drawers into place.



#13 x 8

Step 10. Attach door panels (parts L & M) by placing bottom pin hinge (pre-installed in door) in the pre-drilled hole of bottom panels (parts F & G). Then depress the top spring-loaded pin hinge so it can be placed in the pre-drilled hole of cross rails (parts H & I).

NOTE: Be sure top and bottom pin hinges are fully extended to secure doors in place.

NOTE: It is important to adjust levelers once fully assembled and upright. Extend adjustable leveler until it's firmly in contact with the floor. If relocating, adjust leveler as needed until it's firmly in contact with the floor in new location.

