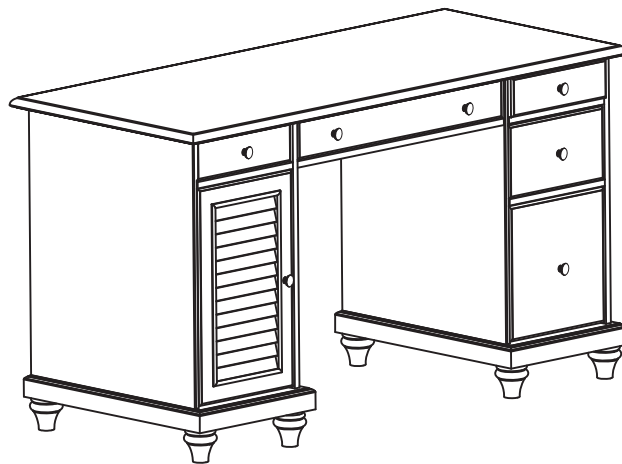
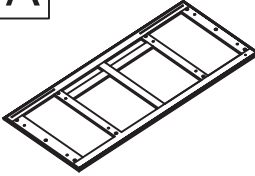
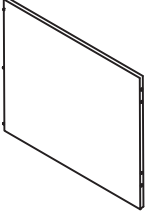
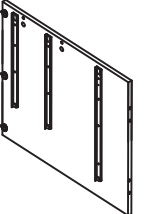
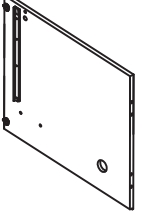
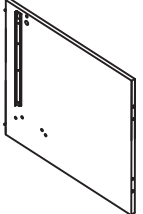

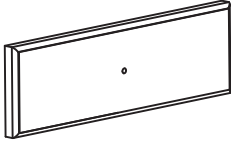
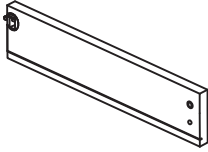
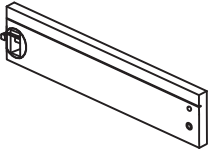
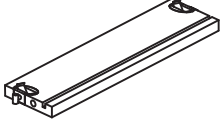
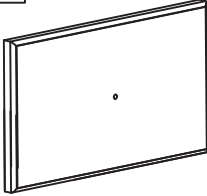
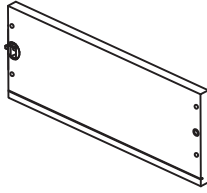
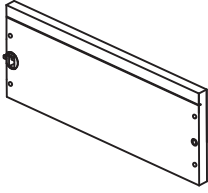
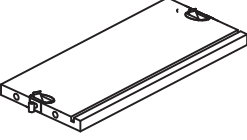
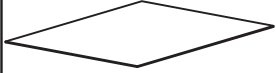
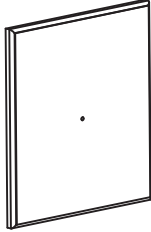
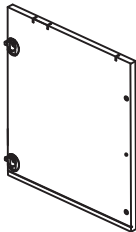
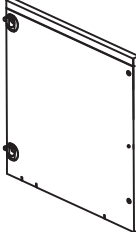
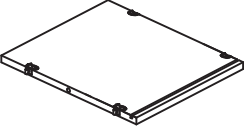

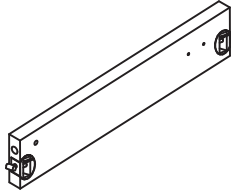
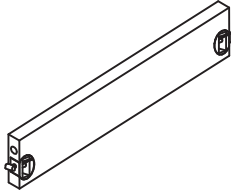
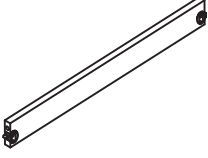
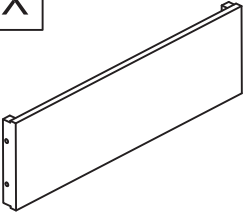
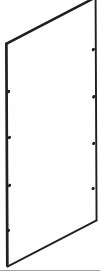




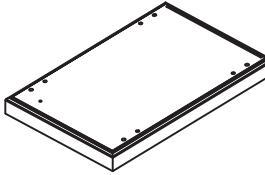
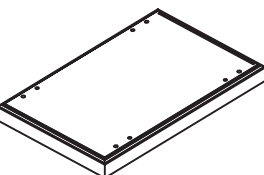
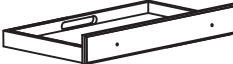

Computer Desk  
CF6507



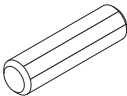

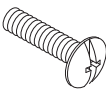
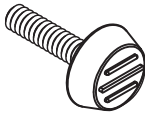
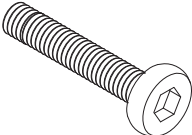
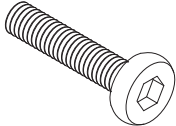
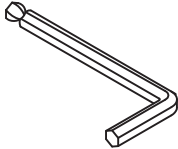
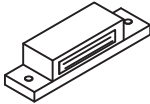
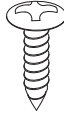

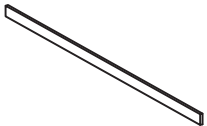
# PART LIST

<p><b>A</b></p> 	<p><b>B</b></p> 	<p><b>C</b></p> 	<p><b>D</b></p> 	<p><b>E</b></p> 
<p>Top Panel 1 PC</p>	<p>Left Side Panel 1 PC</p>	<p>Right Side Panel 1 PC</p>	<p>Left Partition Panel 1 PC</p>	<p>Right Partition Panel 1 PC</p>
<p><b>F</b></p> 	<p><b>G</b></p> 	<p><b>H</b></p> 	<p><b>I</b></p> 	<p><b>J</b></p> 
<p>Door 1 PC</p>	<p>Front Of Top Drawer 2 PCS</p>	<p>Left Side Panel Of Top Drawer 2 PCS</p>	<p>Right Side Panel Of Top Drawer 2 PCS</p>	<p>Back Panel Of Top Drawer 2 PCS</p>
<p><b>K</b></p> 	<p><b>L</b></p> 	<p><b>M</b></p> 	<p><b>N</b></p> 	<p><b>O</b></p> 
<p>Front Of Middle Drawer 1 PC</p>	<p>Left Side Panel Of Middle Drawer 1 PC</p>	<p>Right Side Panel Of Middle Drawer 1 PC</p>	<p>Back Panel Of Middle Drawer 1 PC</p>	<p>Bottom Panel Of Top and Middle Drawer 3 PCS</p>
<p><b>P</b></p> 	<p><b>Q</b></p> 	<p><b>R</b></p> 	<p><b>S</b></p> 	<p><b>T</b></p> 
<p>Front Of Bottom Drawer 1 PC</p>	<p>Left Side Panel Of Bottom Drawer 1 PC</p>	<p>Right Side Panel Of Bottom Drawer 1 PC</p>	<p>Back Panel Of Bottom Drawer 1 PC</p>	<p>Bottom Panel Of Bottom Drawer 1 PC</p>
<p><b>U</b></p> 	<p><b>V</b></p> 	<p><b>W</b></p> 	<p><b>X</b></p> 	<p><b>Y</b></p> 
<p>Left Partition Rail 1 PC</p>	<p>Right Partition Rail 2 PCS</p>	<p>Middle Partition Rail 1 PC</p>	<p>Back Middle Panel 1 PC</p>	<p>Back Side Panel 2 PCS</p>

# PART LIST

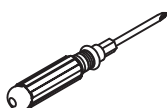
			
<p>Left Bottom Panel 1 PC</p>	<p>Right Bottom Panel 1 PC</p>	<p>Keyboard Tray 1 PC</p>	<p>Foot 8 PCS</p>

# HARDWARE LIST

				
<p>Wood Dowel 49 PCS(Extra 1)</p>	<p>Knob 7 PCS</p>	<p>3/4"*Ø5/32"*D9mm Round Head Bolt 8 PCS(Extra 1)</p>	<p>Adjustable Leveler 8 PCS</p>	<p>1-3/4"*Ø1/4"*D11mm Long Hex Socket Head Bolt 9 PCS(Extra 1)</p>
				
<p>1-1/4"*Ø1/4"*D11mm Short Hex Socket Head Bolt 5 PCS(Extra 1)</p>	<p>Allen Wrench 1 PC</p>	<p>Magnet 1 PC</p>	<p>14*Ø3*D6mm Round Head Screw 3 PCS(Extra 1)</p>	<p>12*Ø3*D8mm Screw 17 PCS(Extra 1)</p>
				
<p>Aluminum Rod 2 PCS</p>				

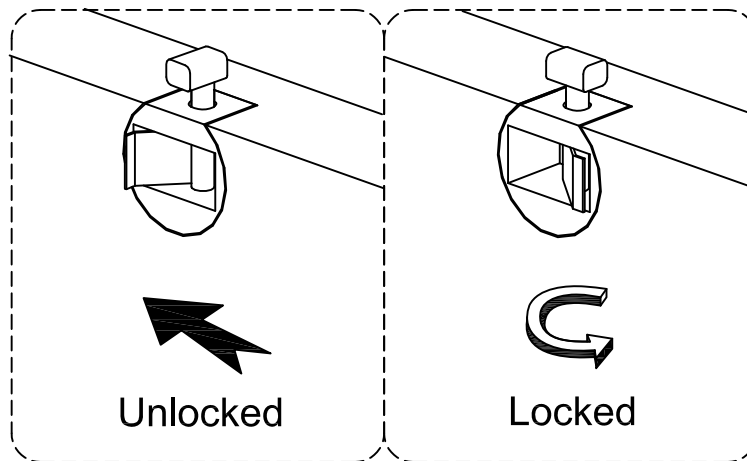
## ADDITIONAL TOOLS (Not Provided)

Note:It is not recommended to use power tools during assembly.



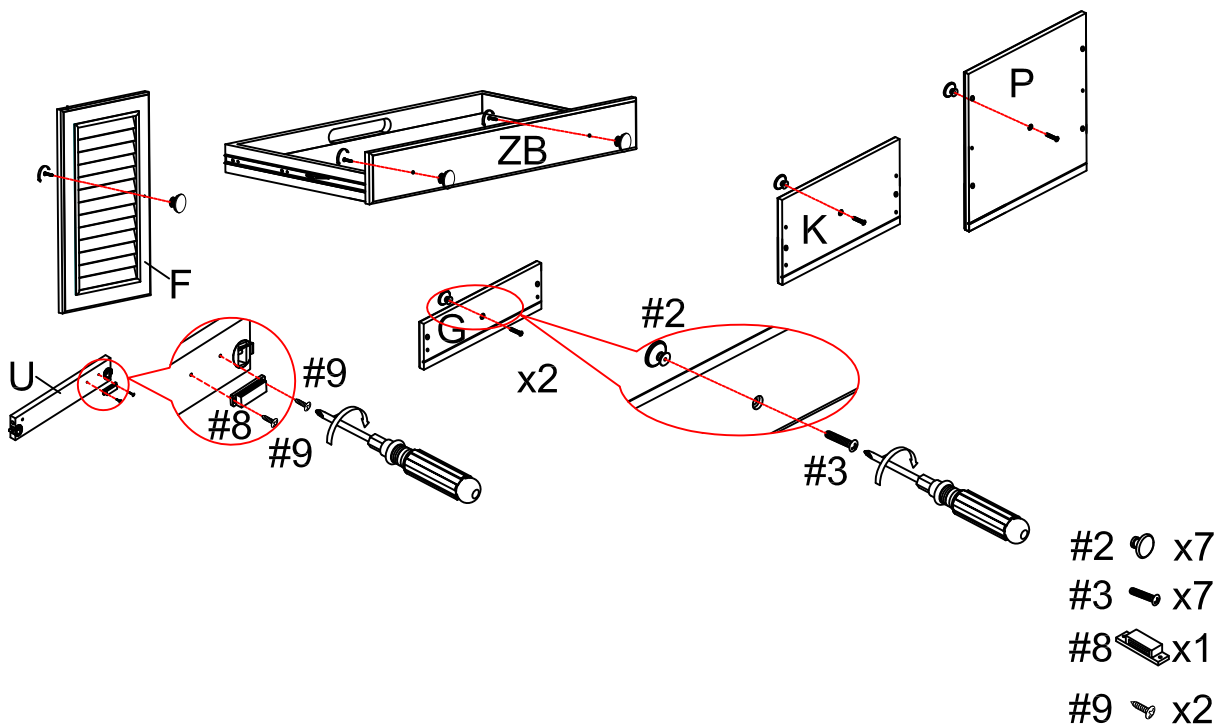
Phillips Head Screwdriver

Please do not use tools to assemble this unit unless specifically indicated.

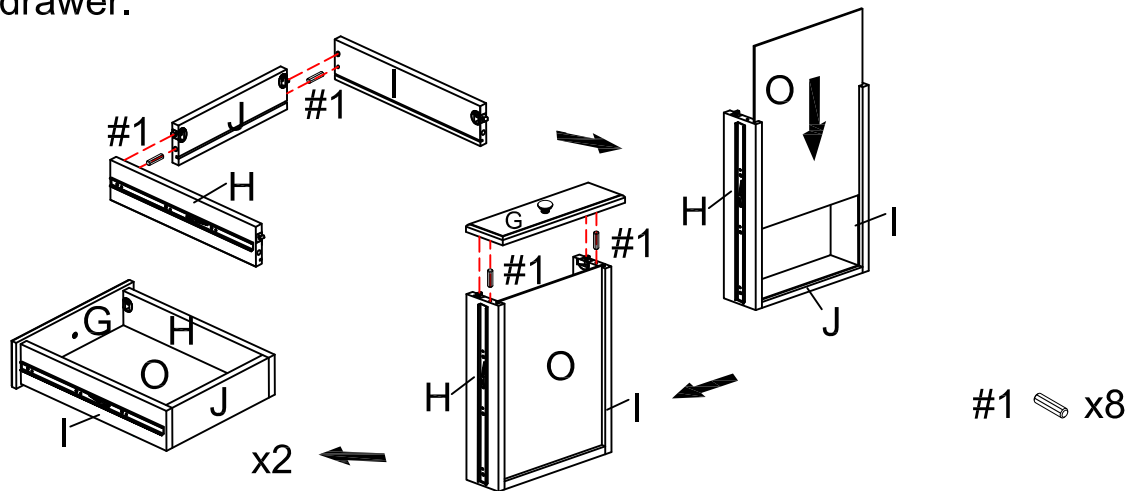


Reference the images above any time the instructions state "lock the hardware".  
Note: Be sure to check all hardware is locked when completed.

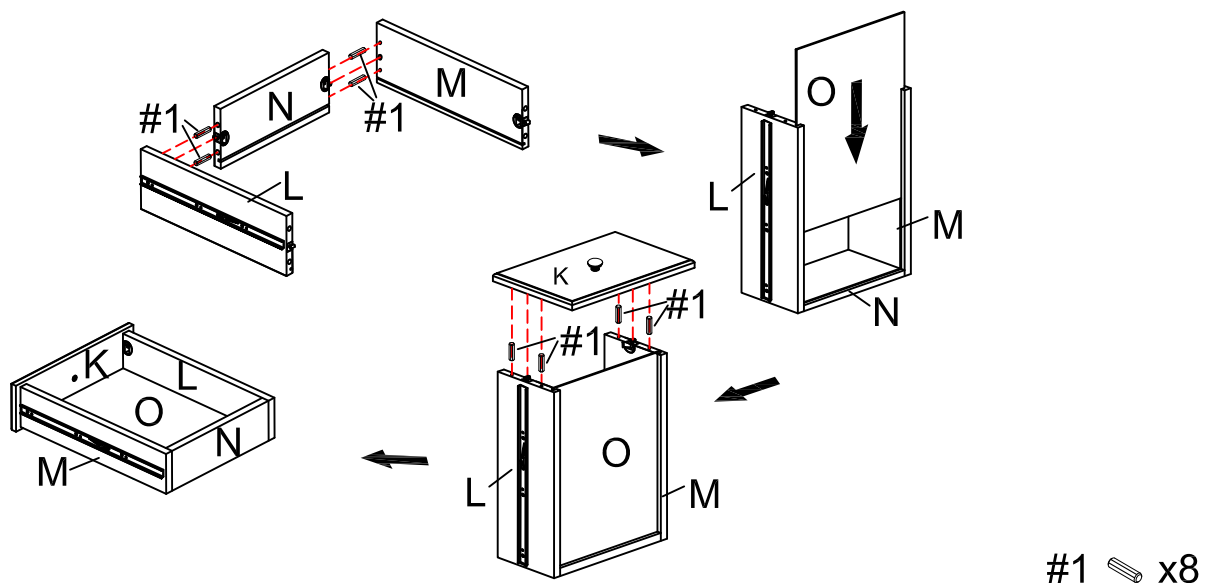
Step 1. Attach knobs (part #2) to keyboard tray (part ZB), door (part F), front of top drawers (part G), front of middle drawer (part K) and front of bottom drawer (part P) using round head bolts (part #3) and Phillips head screwdriver. Attach magnet (part #8) to left partition rail (part U) using round head screws (part #9) and Phillips head screwdriver.



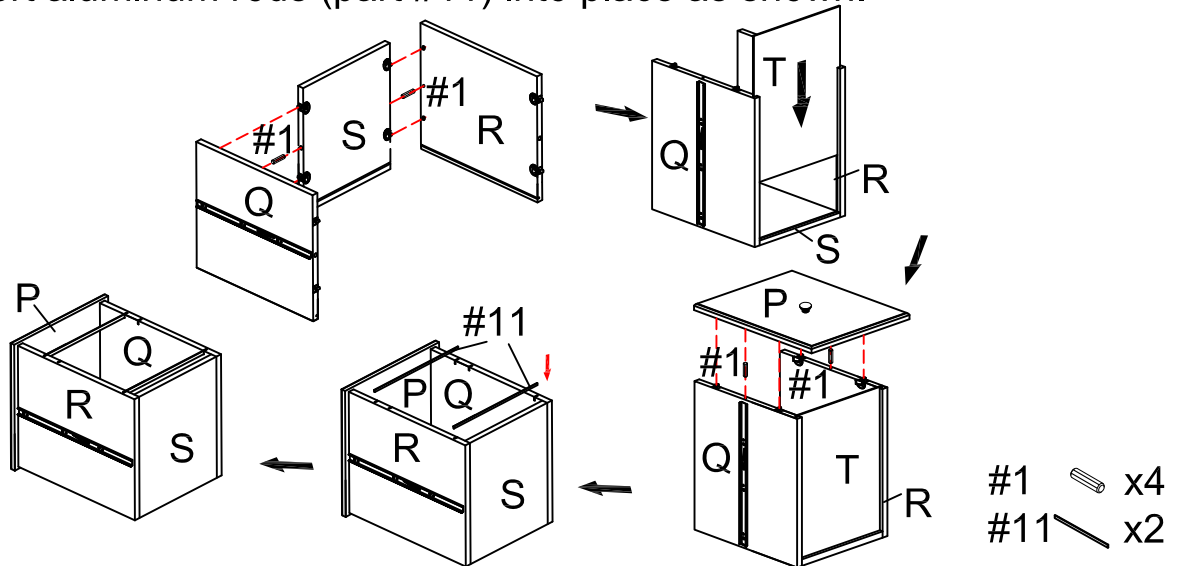
Step 2. Attach left and right side panels of top drawer (parts H & I) to back panel of top drawer (part J) using wood dowels (part #1), and lock the hardware. Slide bottom panel of top & middle drawer (part O) into grooves of left and right side panels of top drawer (parts H & I) and back panel of top drawer (part J). Attach front of top drawer (part G) to left and right side panels of top drawer (parts H & I) using wood dowels (part #1), and lock the hardware. Repeat for remaining top drawer.



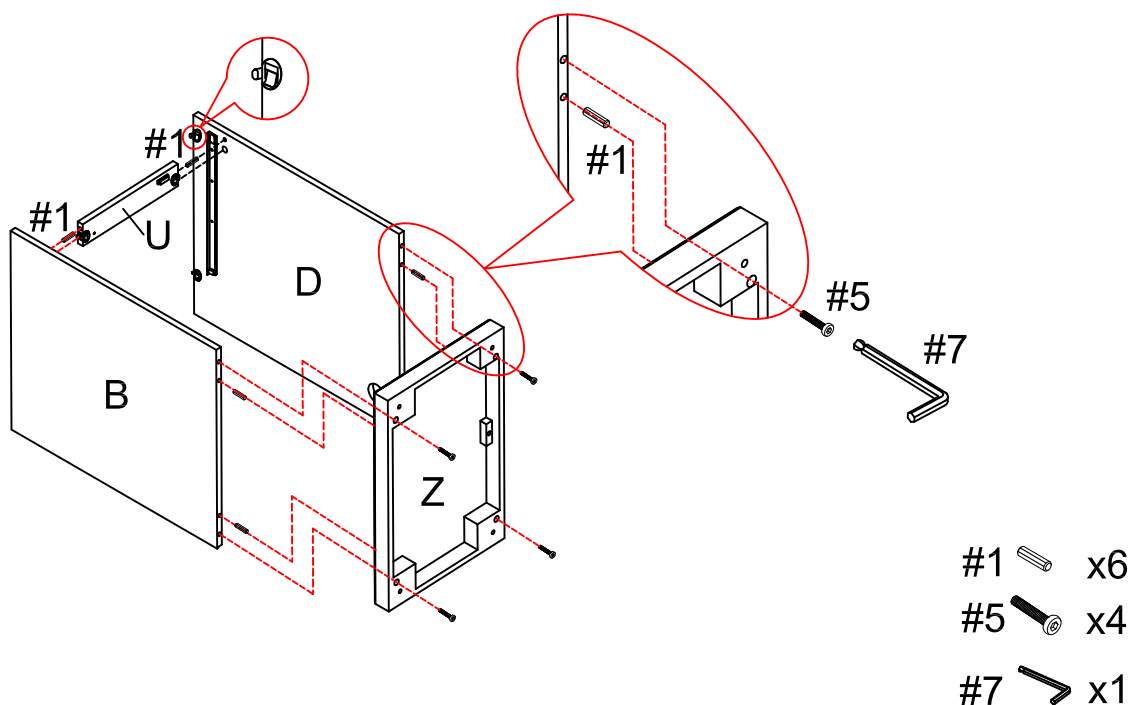
Step 3. Attach left and right side panels of middle drawer (parts L & M) to back panel of middle drawer (part N) using wood dowels (part #1), and lock the hardware. Slide bottom panel of top & middle drawer (part O) into grooves of left and right side panels of middle drawer (parts L & M) and back panel of middle drawer (part N). Attach front of middle drawer (part K) to left and right side panels of middle drawer (parts L & M) using wood dowels (part #1), and lock the hardware.



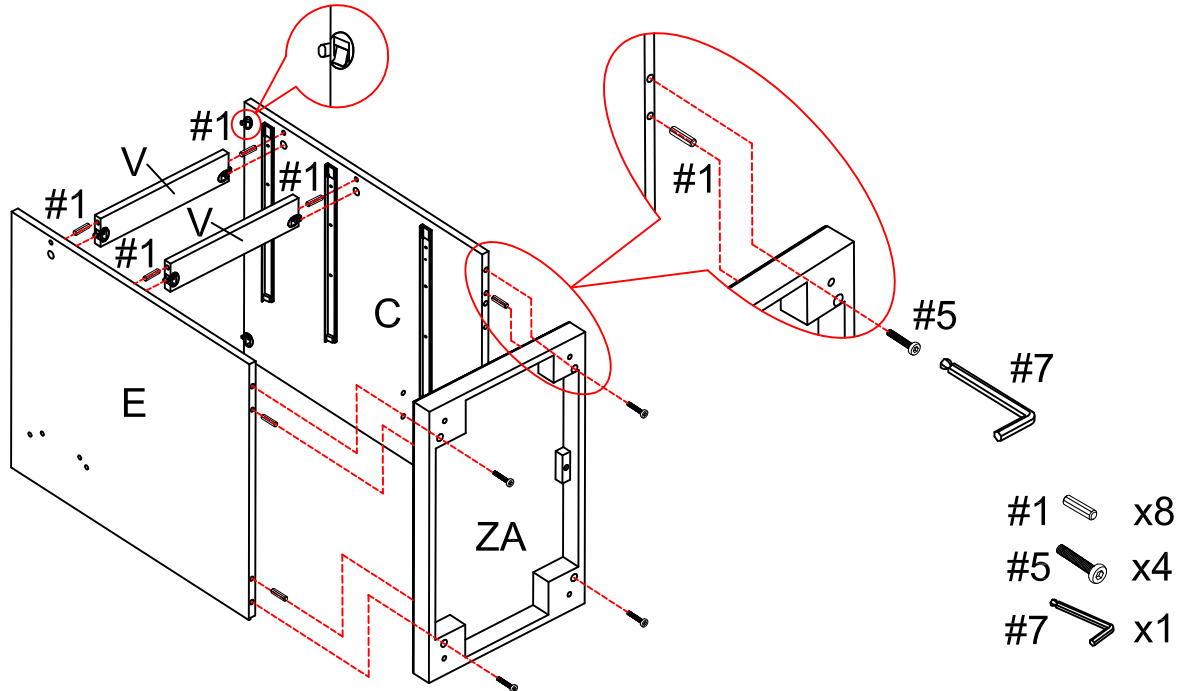
Step 4. Attach left and right side panels of bottom drawer (parts Q & R) to back panel of bottom drawer (part S) using wood dowels (part #1), and lock the hardware. Slide bottom panel of bottom drawer (part T) into grooves of left and right side panels of bottom drawer (parts Q & R) and back panel of bottom drawer (part S). Attach front of bottom drawer (part P) to left and right side panels of bottom drawer (parts Q & R) using wood dowels (part #1), and lock the hardware. Insert aluminum rods (part #11) into place as shown.



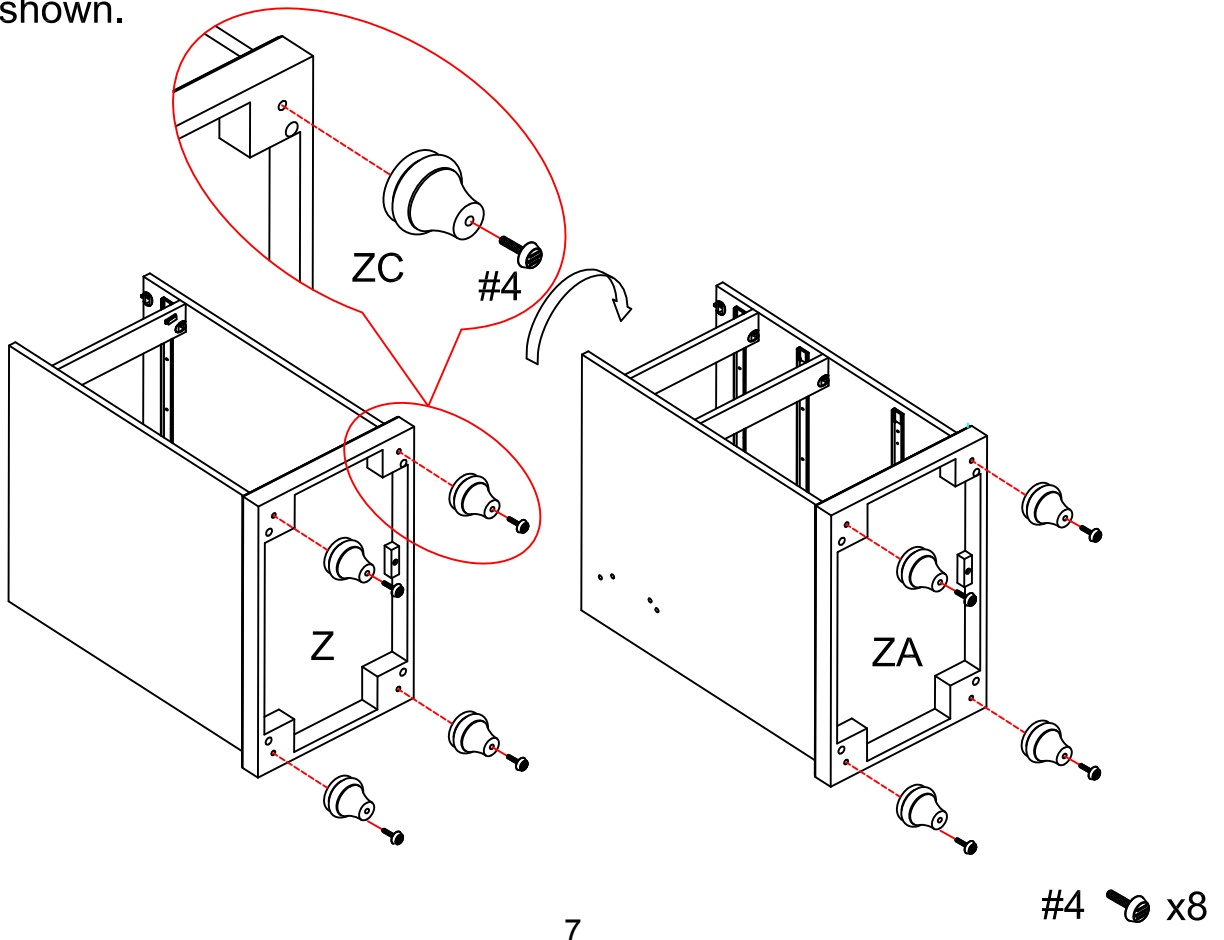
Step 5. Attach left partition rail (part U) to left side panel (part B) and left partition panel (part D) using wood dowels (part #1), and lock the hardware. Attach left bottom panel (part Z) to left side panel (part B) and left partition panel (part D) using wood dowels (part #1), long hex socket head bolts (part #5) and allen wrench (part #7).



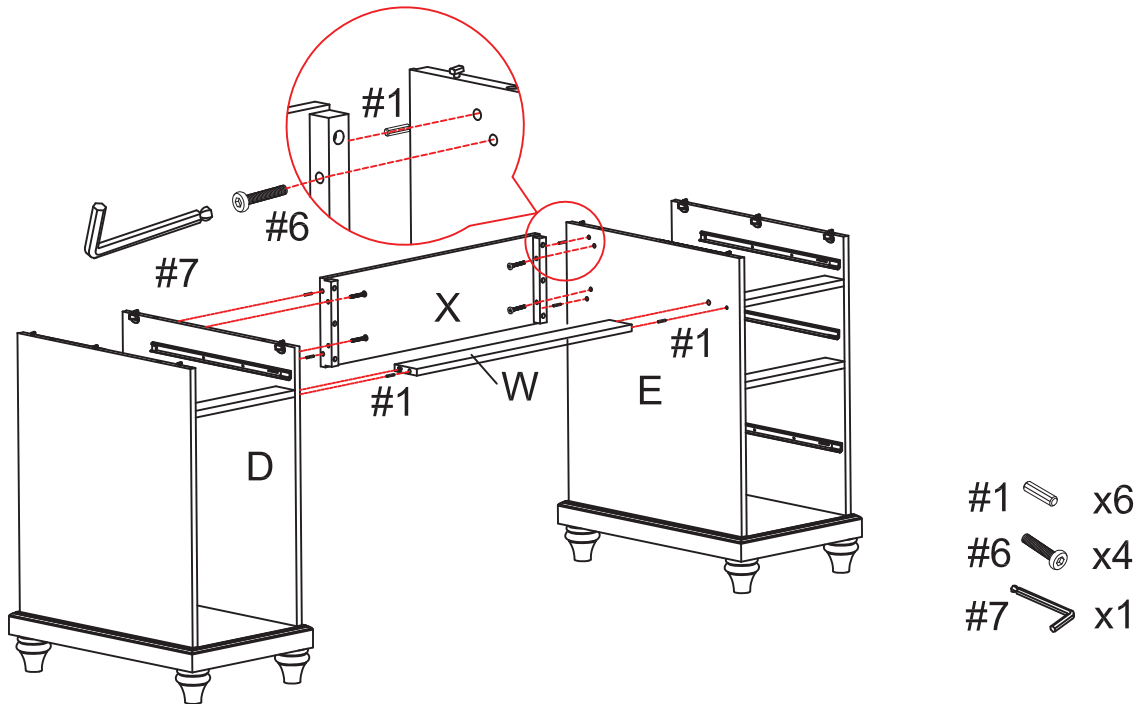
Step 6. Attach right partition rails (part V) to right side panel (part C) and right partition panel (part E) using wood dowels (part #1), and lock the hardware. Attach right bottom panel (part ZA) to right side panel (part C) and right partition panel (part E) using wood dowels (part #1), long hex socket head bolts (part #5) and allen wrench (part #7).



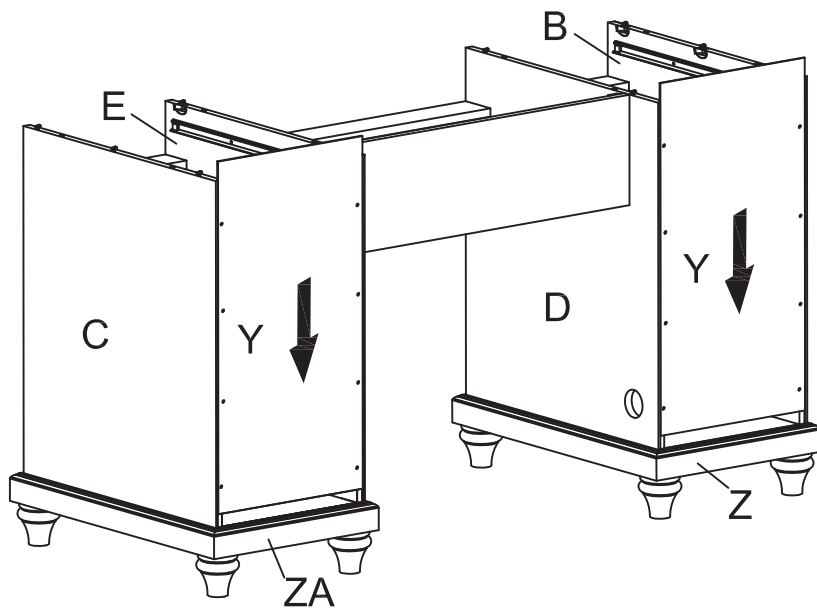
Step 7. Screw feet (part ZC) into left and right bottom panels (parts Z & ZA). Screw adjustable levelers (part #4) into each of the feet (part ZC) as shown.



Step 8. Carefully turn assembled units upright as shown below. Attach left and right partition panels (parts D & E) to back middle panel (part X) and middle partition rail (part W) using wood dowels (part #1), short hex socket head bolts (part #6), and allen wrench (part #7). Lock the hardware on middle partition rail (part W).

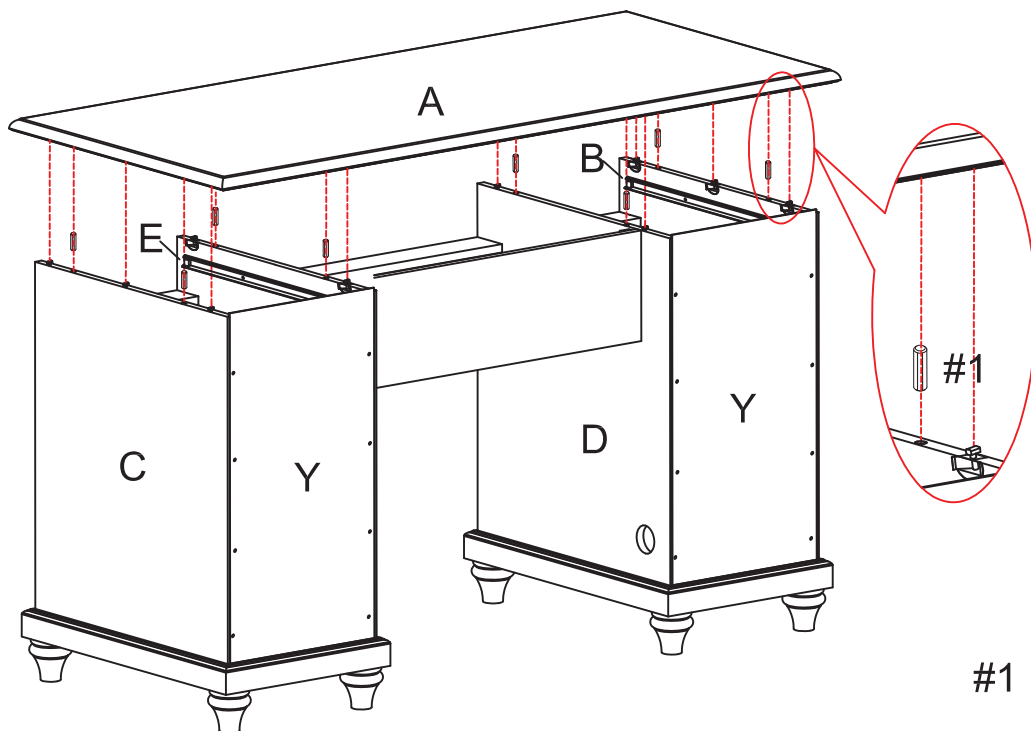


Step 9. Slide back side panels (part Y) into grooves of left side panel (part B), right side panel (part C), left partition panel (part D), right partition panel (part E), left bottom panel (part Z) and right bottom panel (part ZA) as shown.

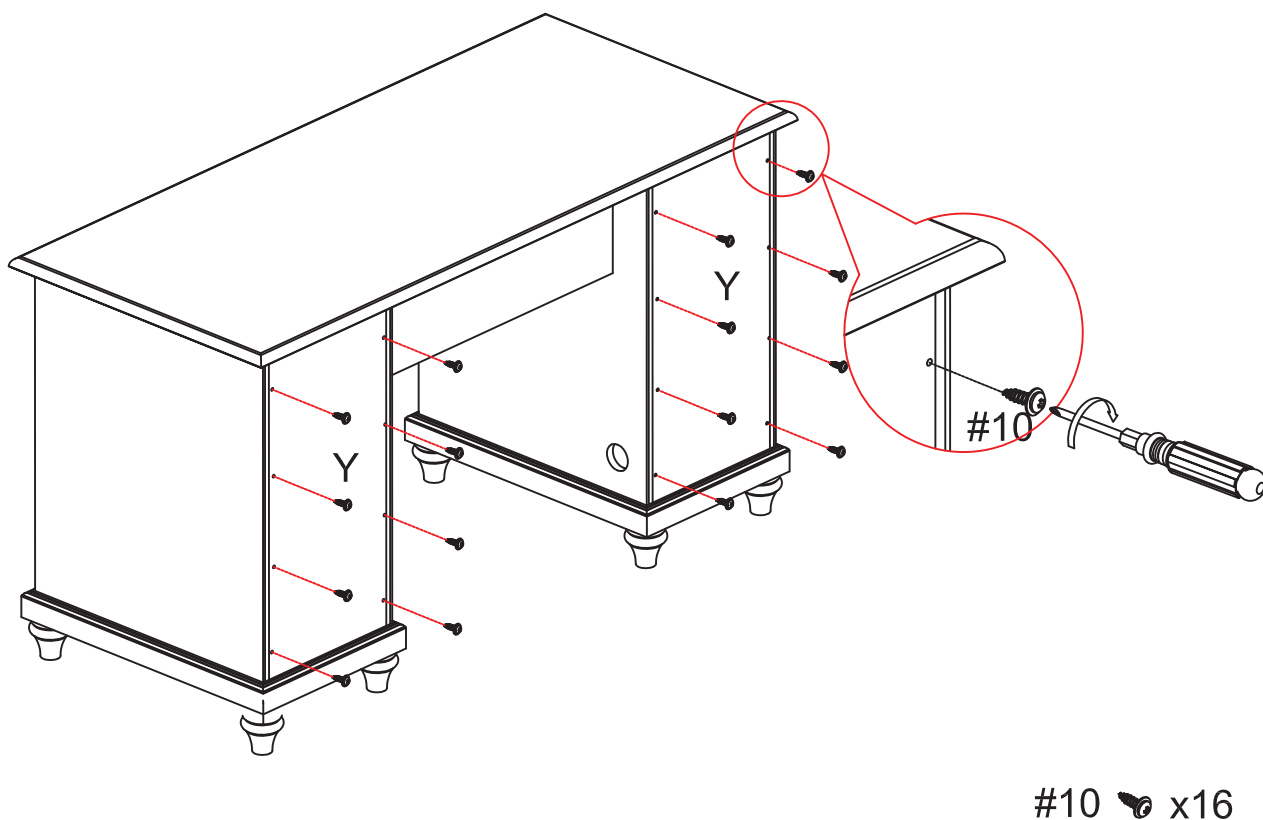




Step 10. Attach top panel (part A) to left side panel (part B), right side panel (part C), left partition panel (part D) and right partition panel (part E) using wood dowels (part #1), and lock the hardware.



Step 11. Secure back side panels (part Y) to left side panel (part B), right side panel (part C), left partition panel (part D) and right partition panel (part E) using screws (part #10) and Phillips head screwdriver.



Step 12. Insert door (part F) by placing the bottom pin hinge (pre-installed in the door) in the pre-drilled holes of left bottom panel (part Z), and then depressing the top spring-loaded pin hinge so it can be placed in the pre-drilled hole of left partition rail (part U). Slide drawers into place.

