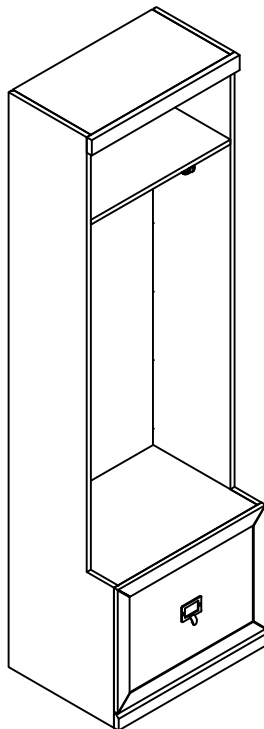
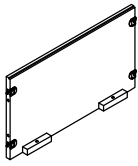
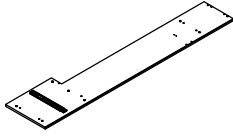
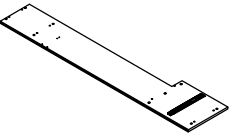
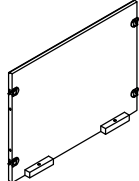
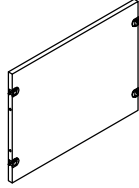
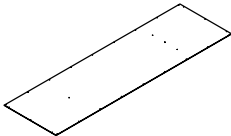
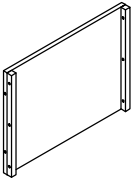
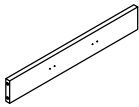
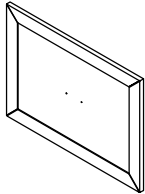
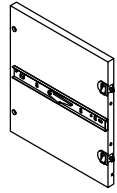
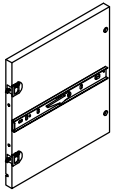
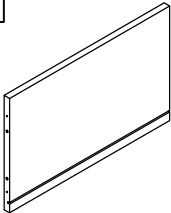
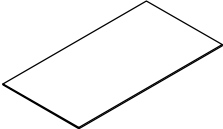
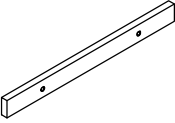
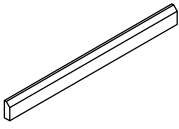








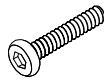

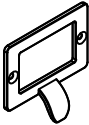

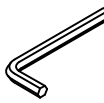

Entryway Tower
CF6025



PART LIST

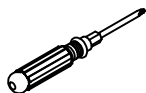
				
<p>Top Panel 1 PC</p>	<p>Left Panel 1 PC</p>	<p>Right Panel 1 PC</p>	<p>Bottom Panel 1 PC</p>	<p>Fixed Shelf 1 PC</p>
				
<p>Back Panel 1 PC</p>	<p>Seat Panel 1 PC</p>	<p>Hook Slat 1 PC</p>	<p>Drawer Front Panel 1 PC</p>	<p>Drawer Left Panel 1 PC</p>
				
<p>Drawer Right Panel 1 PC</p>	<p>Drawer Back Panel 1 PC</p>	<p>Drawer Bottom Panel 1 PC</p>	<p>Top Rail 1 PC</p>	<p>Bottom Rail 1 PC</p>

HARDWARE LIST

#1		#2		#3		#4		#5	
	Ø3*12mm		Ø3*15mm		Ø3.5*15mm		Ø3*30mm		Ø1/4"*1-1/4"
	Short Screw		Round Head Screw		Screw		Long Screw		Bolt
	2 PCS		28 PCS (Extra 2)		8 PCS (Extra 1)		4 PCS		10 PCS (Extra 1)
#6		#7		#8		#9		#10	
	Ø8*30mm						4mm		
	Wood Dowel		Handle		Hook		Allen Wrench		Safety Strap Kit
	28 PCS (Extra 2)		1 PC		4 PCS		1 PC		1 SET

ADDITIONAL TOOLS (Not Provided)

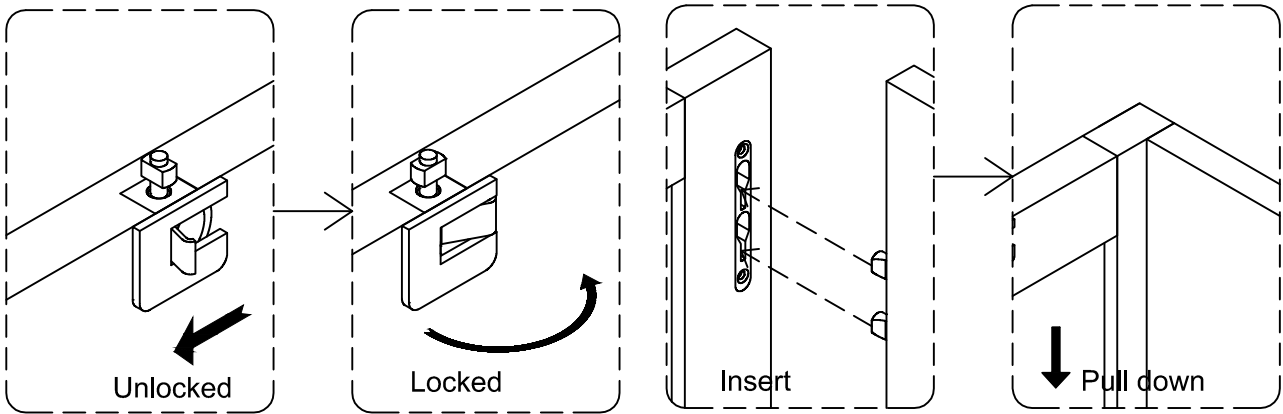
Note: It is not recommended to use power tools during assembly.



Phillips Head Screwdriver

Note: Wood dowels are intended for alignment. Additional clearance between wood dowel and pre-drilled hole is intentional for ease of assembly.

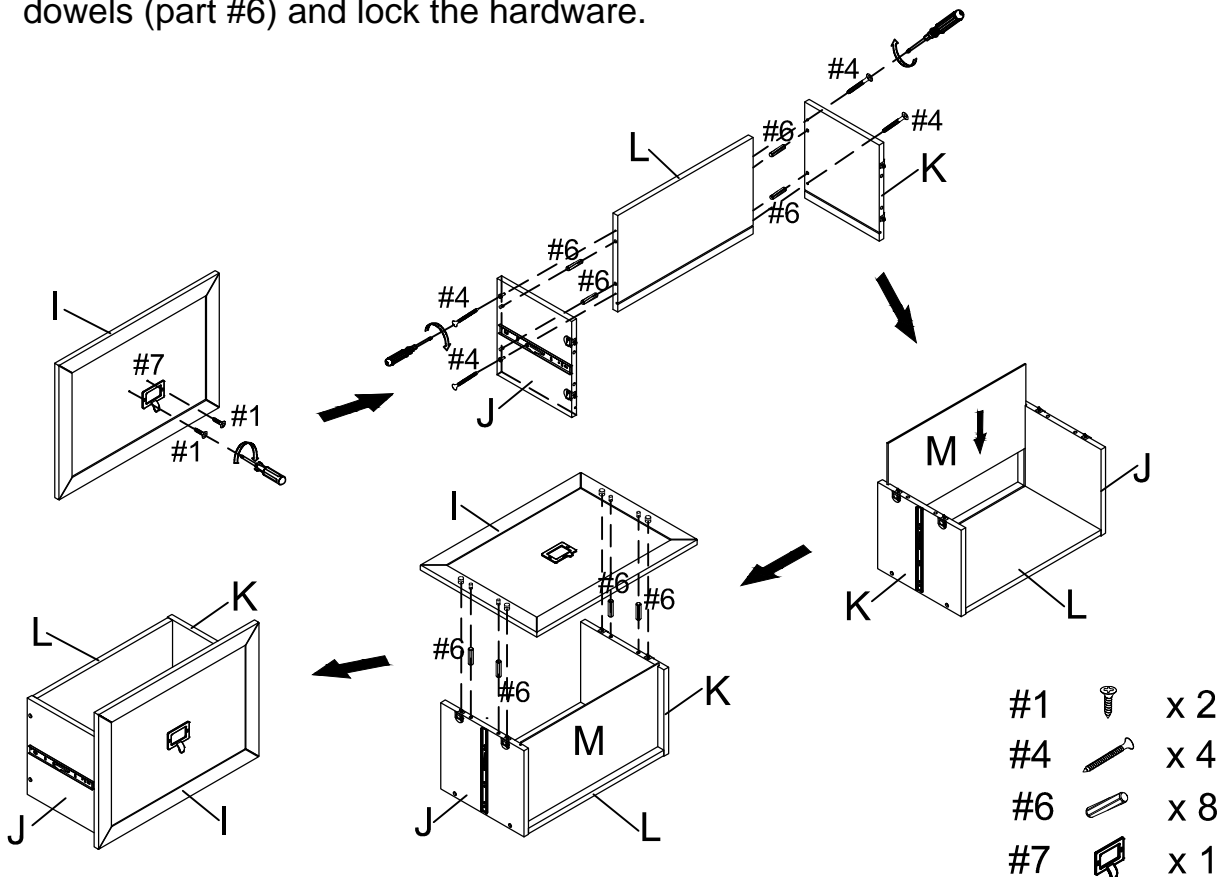
Please do not use tools to assemble this unit unless specifically indicated.



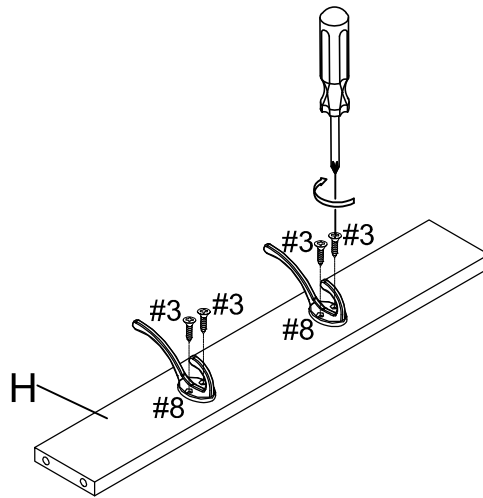
Reference the images above any time the instructions state "lock the hardware" or "insert hardware and pull down to lock".



Be sure to check all hardware is locked when complete.

Step 1. Attach handle (part #7) to drawer front panel (part I) using short screws (part #1) and phillips head screwdriver. Attach drawer left panel (part J) and drawer right panel (part K) to drawer back panel (part L) using wood dowels (part #6), long screws (part #4) and phillips head screwdriver. Slide drawer bottom panel (part M) into grooves of assembled unit (parts J, K & L). Attach drawer front panel (part I) to drawer panels (parts J & K) using wood dowels (part #6) and lock the hardware.

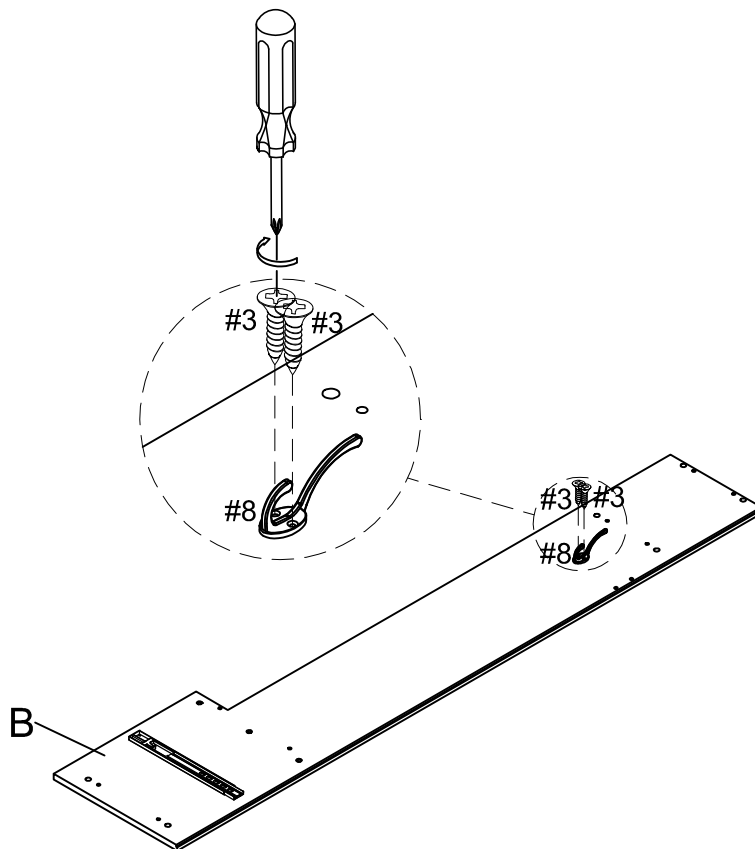




Step 2. Attach hooks (part #8) to hook slat (part H) using screws (part #3) and phillips head screwdriver.



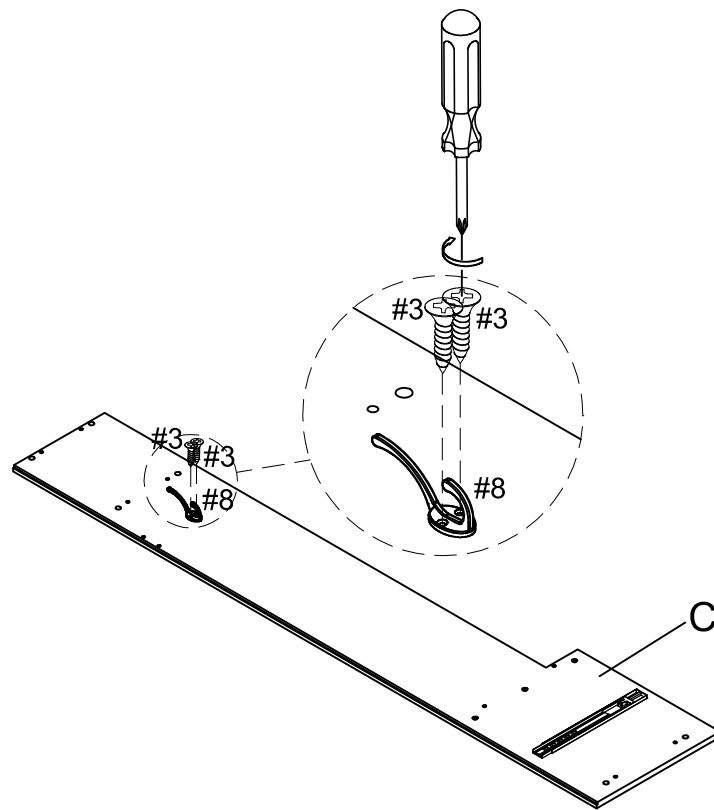
#3  x 4
#8  x 2



Step 3. Attach hook (part #8) to left panel (part B) using screws (part #3) and phillips head screwdriver.



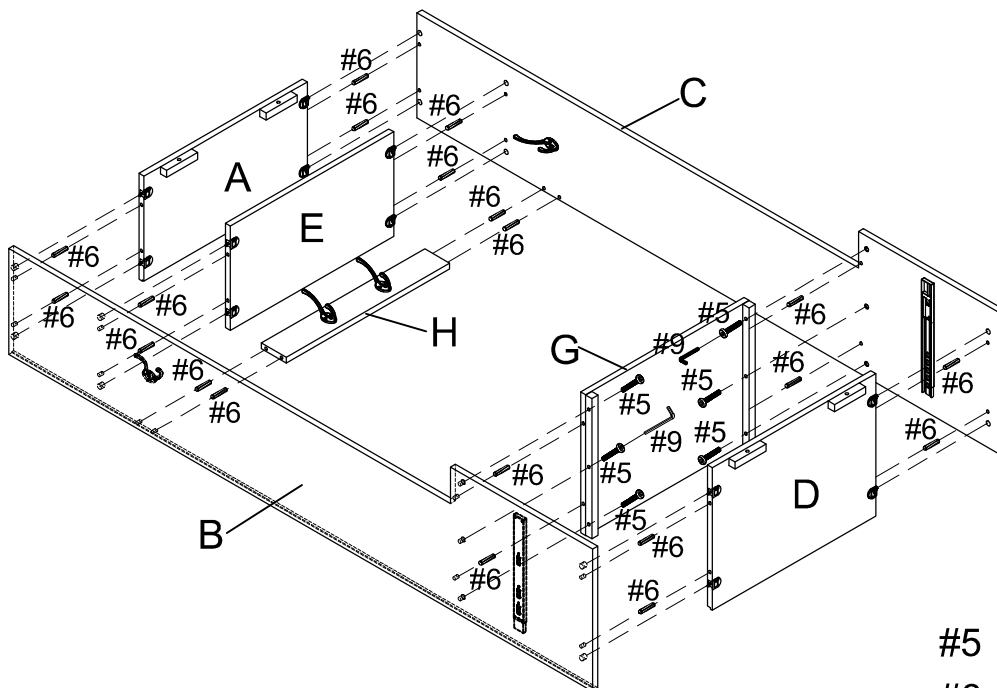
#3  x 2
#8  x 1




Step 4. Attach hook (part #8) to right panel (part C) using screws (part #3) and phillips head screwdriver.



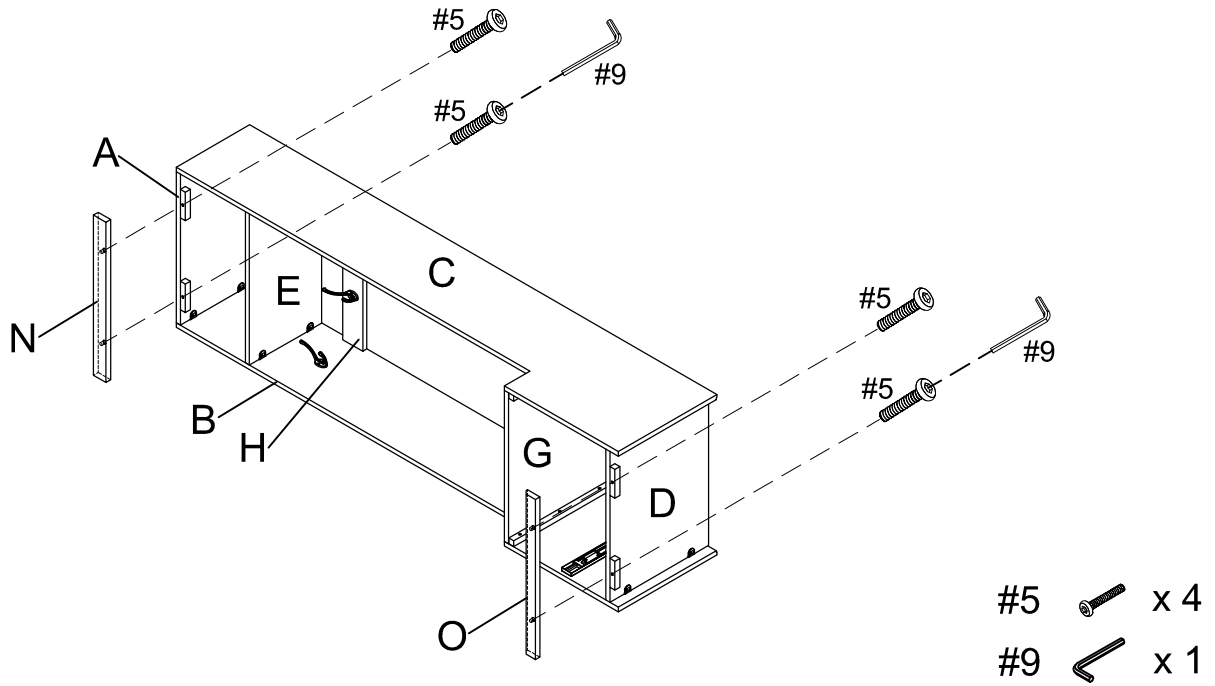
- | | | |
|----|---|-----|
| #3 |  | x 2 |
| #8 |  | x 1 |

Step 5. Attach top panel (part A), fixed shelf (part E), hook slat (part H), seat panel (part G) and bottom panel (part D) to left panel (part B) and right panel (part C) using wood dowels (part #6), bolts (part #5), allen wrench (part #9) and lock the hardware.

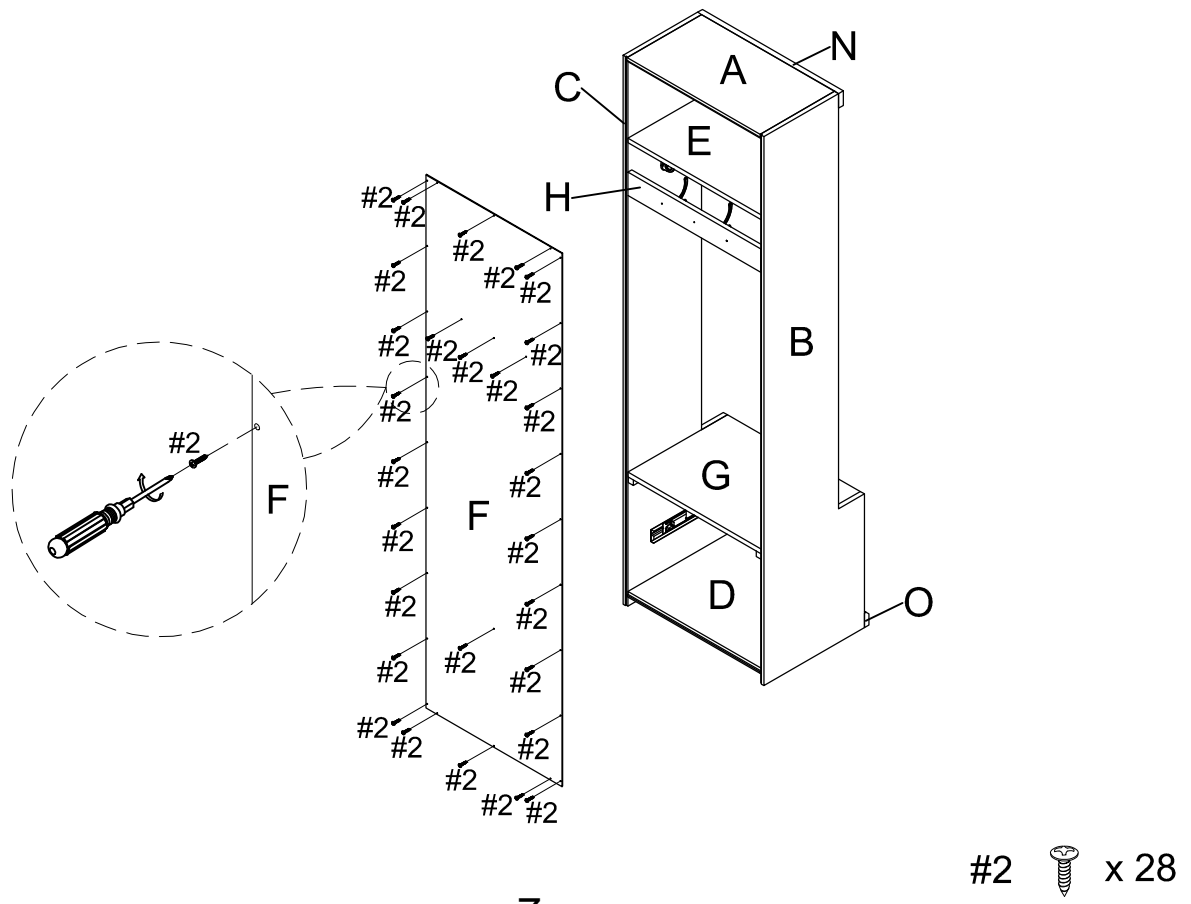


- | | | |
|----|---|------|
| #5 |  | x 6 |
| #6 |  | x 20 |
| #9 |  | x 1 |

Step 6. Attach top rail (part N) and bottom rail (part O) to top panel (part A) and bottom panel (part D) using bolts (part #5) and allen wrench (part #9).

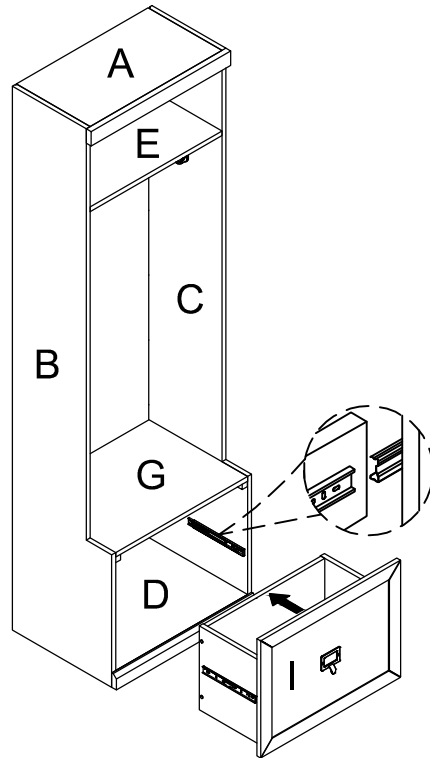



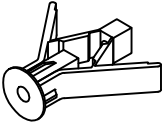



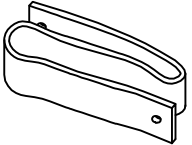
Step 7. Carefully turn unit upright. Attach back panel (part F) to assembled unit (parts A, B, C, D, H & G) using round head screws (part #2) and phillips head screwdriver.



Step 8. Slide assembled drawer into place.

Important: safety strap kit (part #10) must be installed to prevent tipping, damage and/or injury.



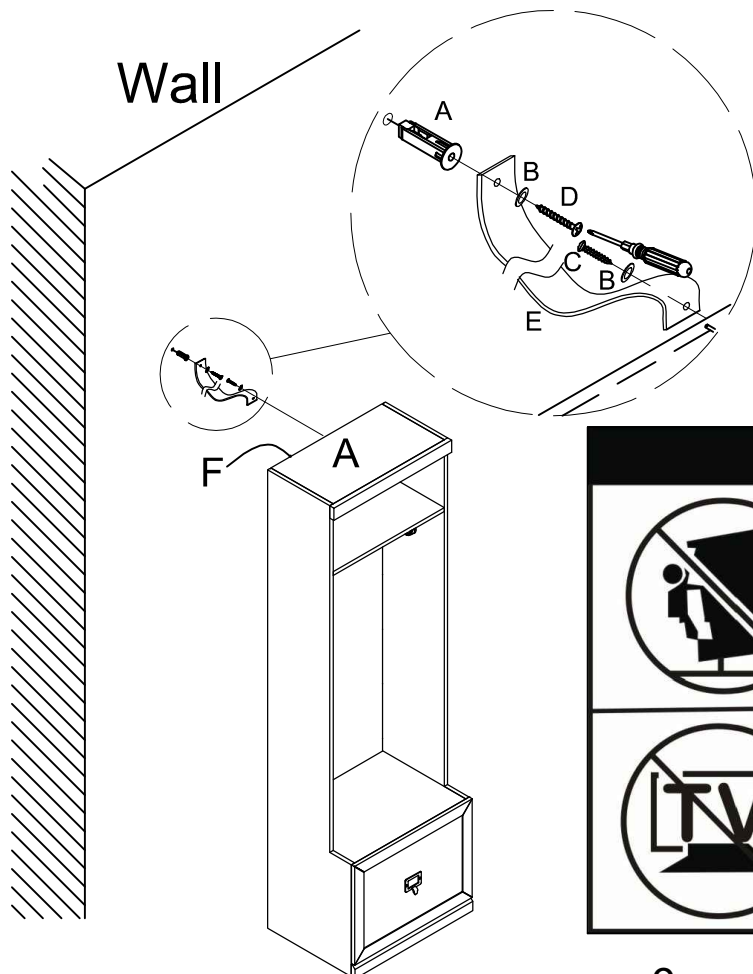
#10	A	B	C	D	E
					
Safety Strap Kit	Wall Anchor	Washer	Short Screw	Long Screw	Safety Wall Strap
1 SET	1 PC	2 PCS	1 PC	1 PC	1 PC

SAFETY WALL STRAP INSTALLATION

Note: It is highly recommended to install this safety strap kit to prevent tipping, damage and/or injury.

1. Insert short screw (C) through washer (B) and safety wall strap (E) and attach to back panel (part F) using phillips head screwdriver.
2. Drill a 11/32" hole where you want to secure the unit. The drilled hole will be at the same height as the hole in back panel (part F) where the safety wall strap (E) is attached. Tap wall anchor (A) into the hole.
3. Insert long screw (D) through washer (B) and safety wall strap (E) into wall anchor (A) using phillips head screwdriver.

Note: This item is not intended for clothing storage use.



⚠ WARNING	
	Children have died from furniture tipover. To reduce the risk of furniture tipover:
	<ul style="list-style-type: none"> • ALWAYS install tipover restraint provided. • NEVER put a TV on this product. • NEVER allow children to stand, climb or hang on drawers, doors, or shelves. • NEVER open more than one drawer at a time. • Place heaviest items in the lowest drawers.
This is a permanent label. Do not remove!	