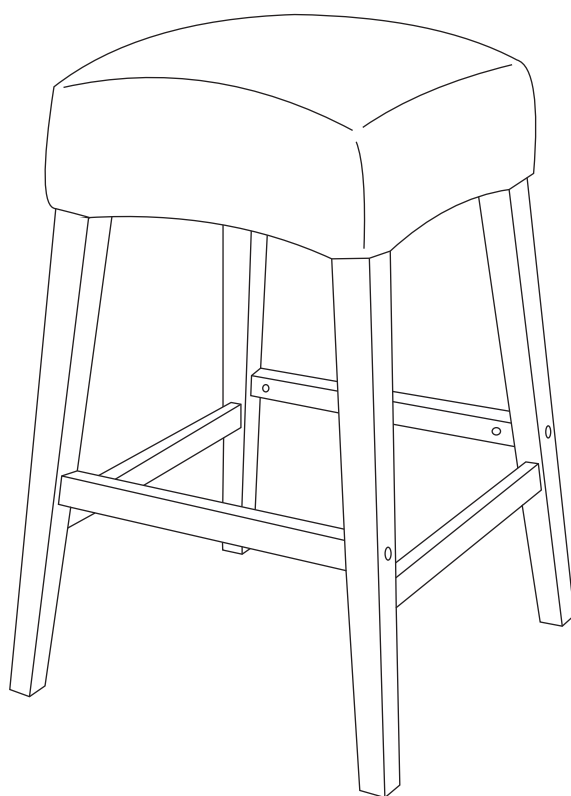
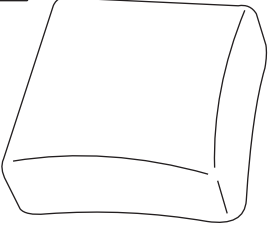
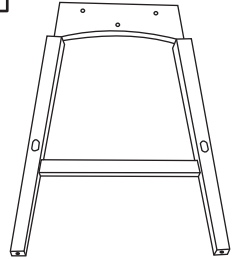





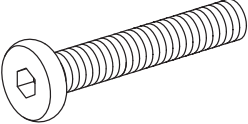
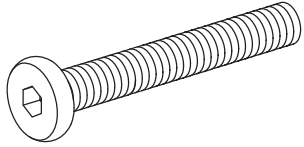

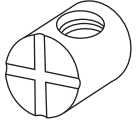

Counter Stool
CF502527



PART LIST

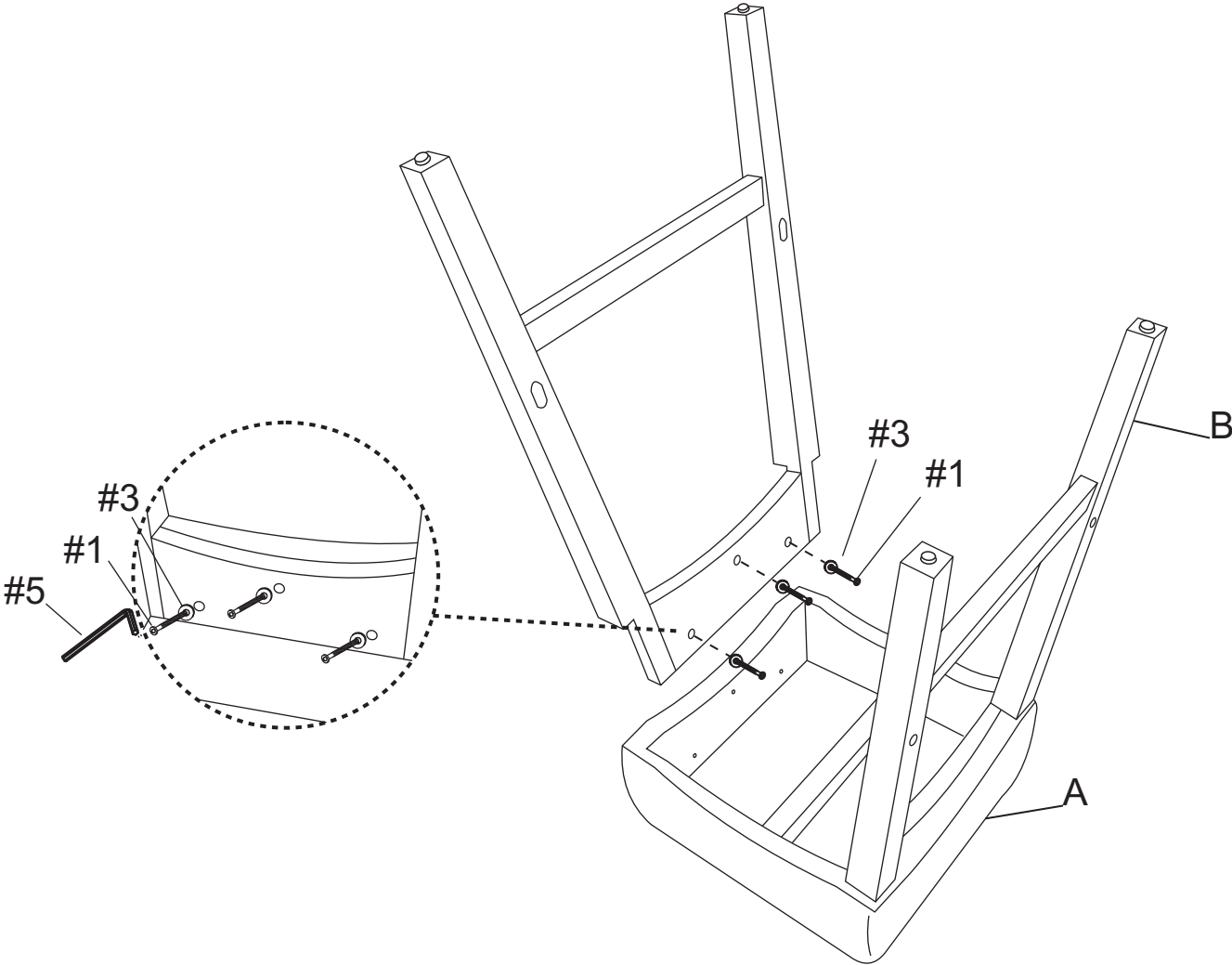
<p>A</p> 	<p>B</p> 	<p>C</p> 
<p>Seat Frame 2 PCS</p>	<p>Leg 4 PCS</p>	<p>Leg Support 4 PCS</p>




HARDWARE LIST

<p>#1</p>  <p>½" x 1. ½" L</p>	<p>#2</p>  <p>½" x 2" L</p>	<p>#3</p> 	<p>#4</p>  <p>½" x 2" L</p>
<p>Short Bolt 12 PCS (Extra 1)</p>	<p>Long Bolt 8 PCS (Extra 1)</p>	<p>Flat Washer 12 PCS (Extra 1)</p>	<p>Barrel Nut 8 PCS (Extra 1)</p>
<p>#5</p>  <p>Allen Wrench 1 PC</p>			

Step 1. Lay seat frame (part A) upside down on a flat, soft surface, such as carpet. Attach legs (part B) to seat frame (part A) using short bolts (part #1), flat washers (part #3) and allen wrench (part #5).

NOTE: Please do not fully tighten bolts until unit is fully assembled.

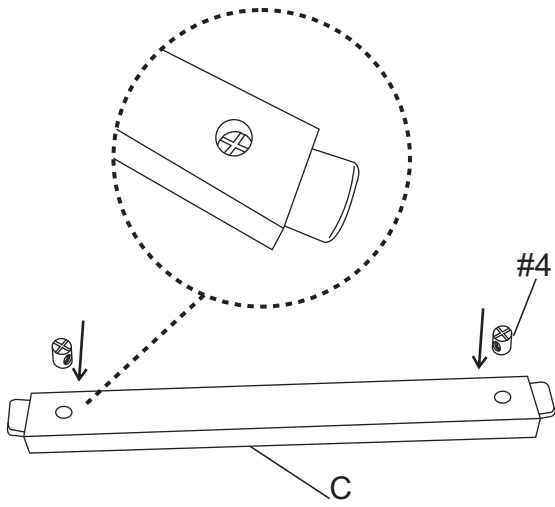


- #1  x 6
- #3  x 6
- #5  x 1

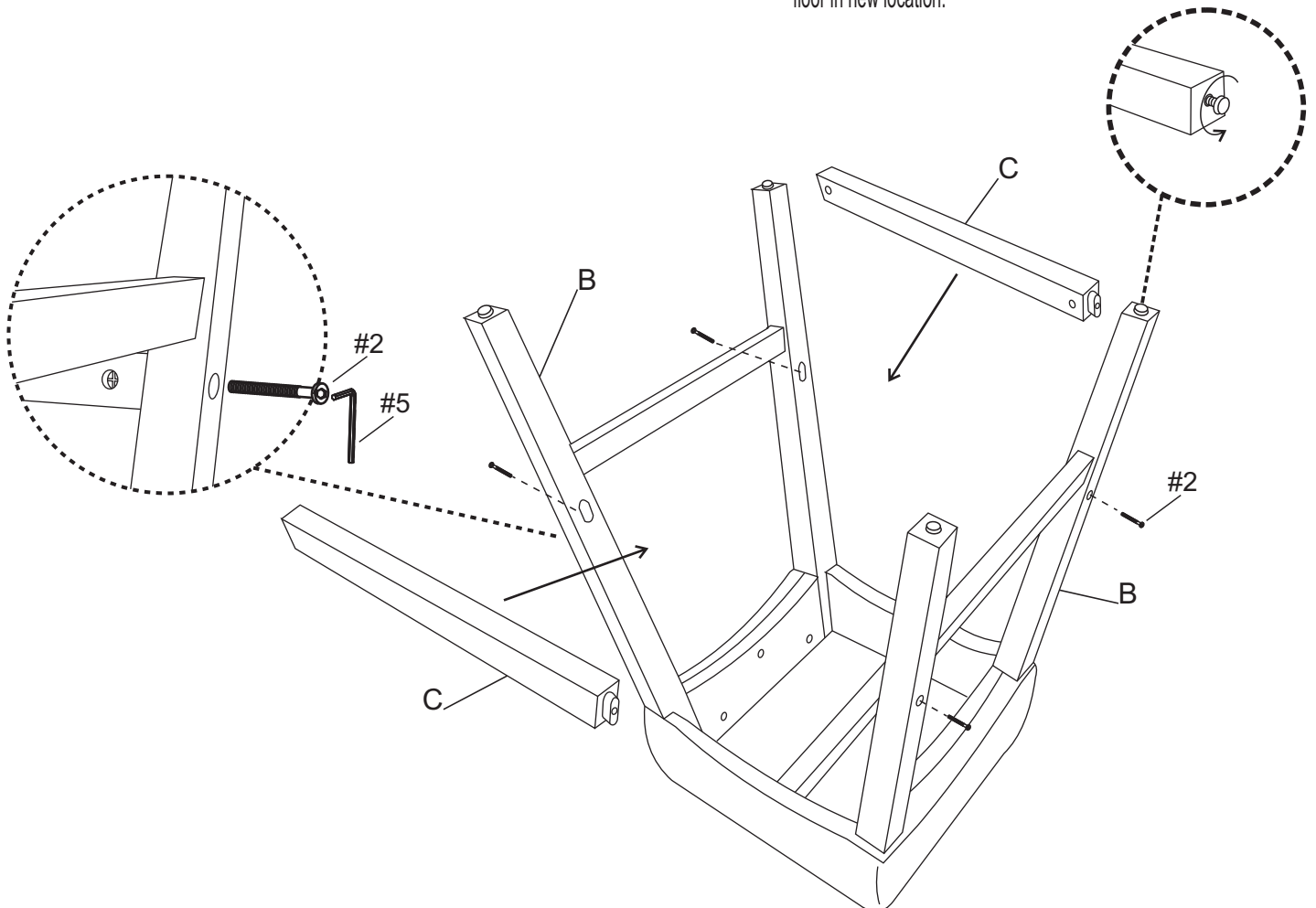
Step 2. Insert barrel nuts (part #4) into leg supports (part C)




Attach leg supports (part C) to legs (part B) using long bolts (part #2) and allen wrench (part #5).

NOTE: Please fully tighten all bolts at this time.



NOTE: It is important to adjust levelers once fully assembled and upright. Extend adjustable leveler until it's firmly in contact with the floor. If relocating, adjust leveler as needed until it's firmly in contact with the floor in new location.



- #2  x 4
- #4  x 4
- #5  x 1

Step 3. Carefully turn unit upright. Repeat steps 1-2 to assemble remaining stool.

