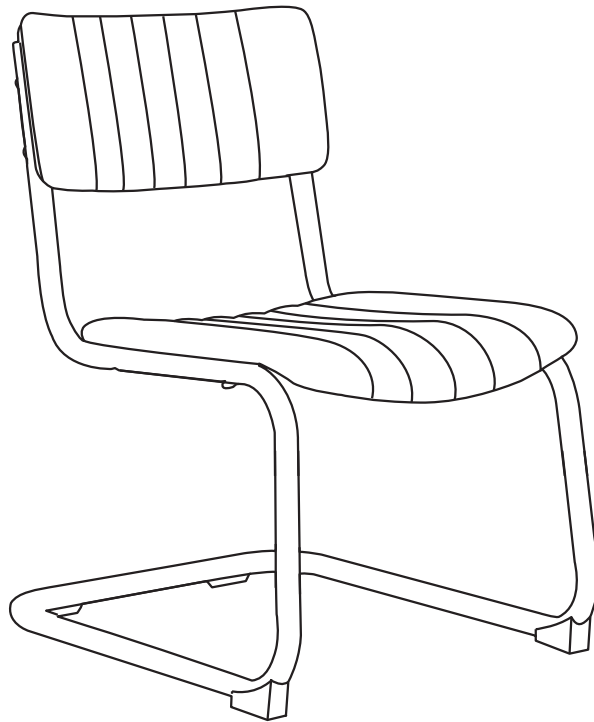
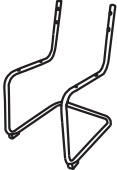

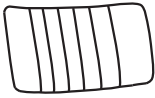






Dining Chair
CF502218



PART LIST

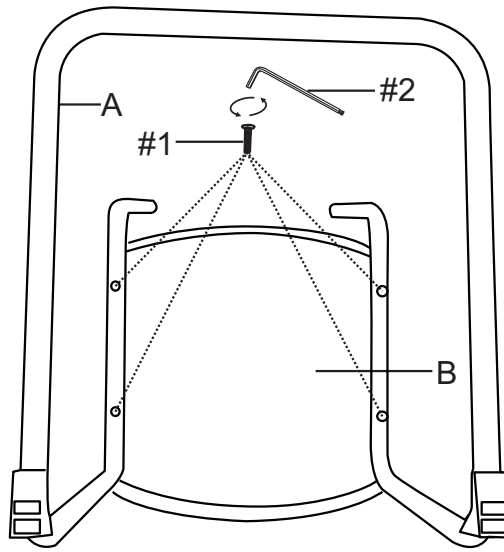
A 	B 	C 
Chair Frame 2 PCS	Seat 2 PCS	Backrest 2 PCS

HARDWARE LIST

#1  M6x40mm	#2  M6
Bolt 16 PCS (Extra 1)	Allen Wrench 1 PC

Step 1 . Carefully lay chair frame (part A) down on a flat surface, such as carpet as shown below. Attach seat (part B) to chair frame (part A) using bolts (part #1) and allen wrench (part #2).

NOTE: Please do not fully tighten bolts until unit is fully assembled.

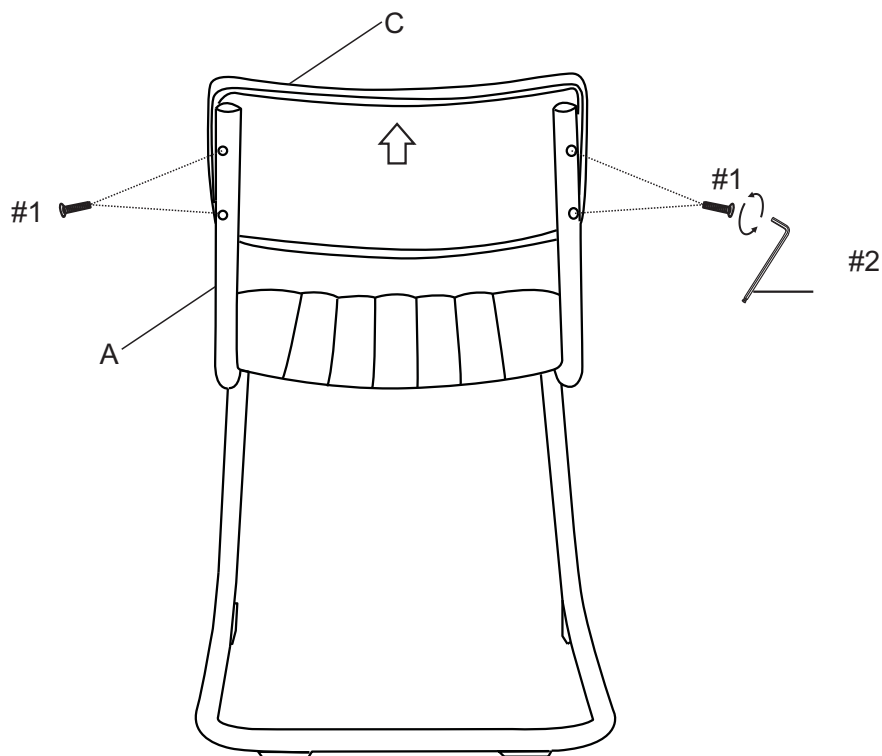


#1  X4

#2  X1

Step 2 . Attach backrest (part C) to chair frame (part A) using bolts (part #1) and allen wrench (part #2). Ensure arrow is facing up on backrest (part C). Repeat steps 1-2 to assemble remaining chair.

NOTE: Please fully tighten all bolts at this time.



#1  X4

#2  X1