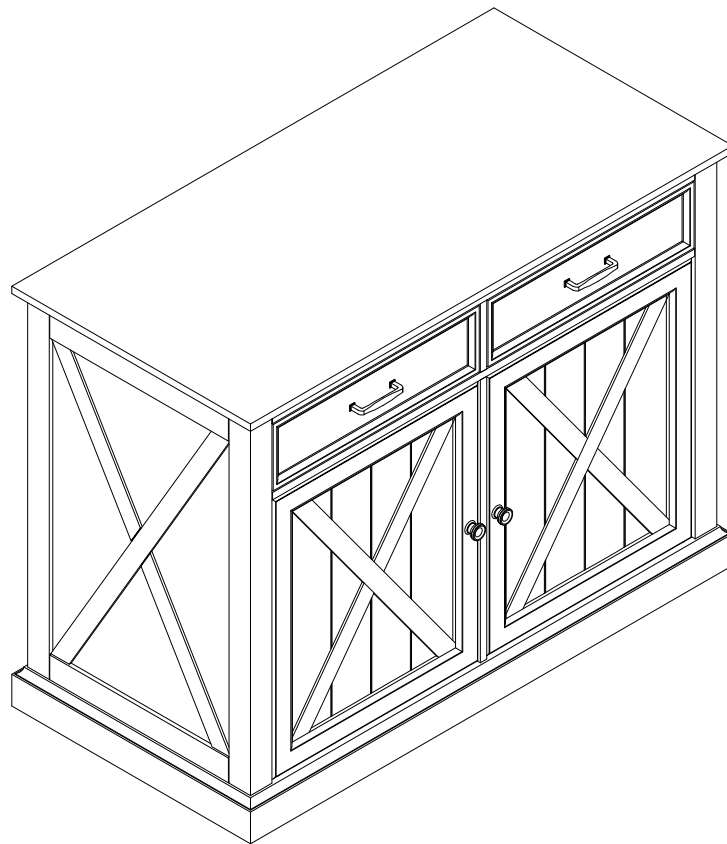
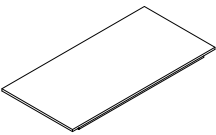
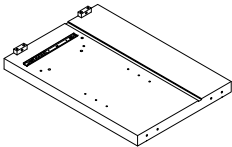
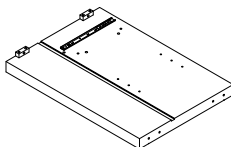
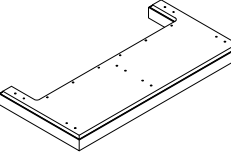
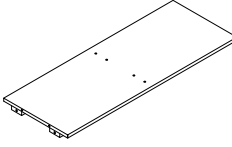
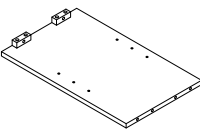
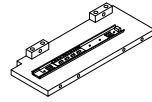
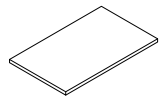
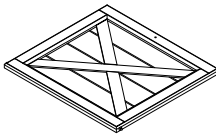
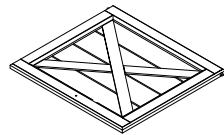
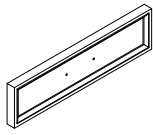
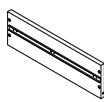
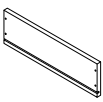
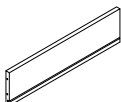
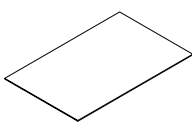
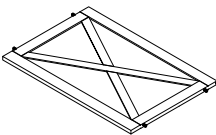
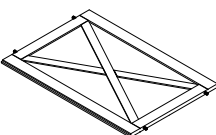








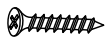







Kitchen Island
CF3032



PART LIST

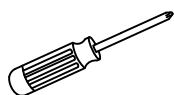
<p>A</p> 	<p>B</p> 	<p>C</p> 	<p>D</p> 	<p>E</p> 
<p>Top Panel 1 PC</p>	<p>Left Panel 1 PC</p>	<p>Right Panel 1 PC</p>	<p>Bottom Panel 1 PC</p>	<p>Shelf Panel 1 PC</p>
<p>F</p> 	<p>G</p> 	<p>H</p> 	<p>I</p> 	<p>J</p> 
<p>Middle Panel 1 PC</p>	<p>Upper Middle Panel 1 PC</p>	<p>Adjustable Shelf 2 PCS</p>	<p>Left Door Panel 1 PC</p>	<p>Right Door Panel 1 PC</p>
<p>K</p> 	<p>L</p> 	<p>M</p> 	<p>N</p> 	<p>O</p> 
<p>Drawer Front Panel 2 PCS</p>	<p>Drawer Left Panel 2 PCS</p>	<p>Drawer Right Panel 2 PCS</p>	<p>Drawer Back Panel 2 PCS</p>	<p>Drawer Bottom Panel 2 PCS</p>
<p>P</p> 	<p>Q</p> 			
<p>Left Back Panel 1 PC</p>	<p>Right Back Panel 1 PC</p>			

HARDWARE LIST

<p>#1</p>  <p>ϕ1/4"x1-1/4"</p>	<p>#2</p>  <p>ϕ1/4"</p>	<p>#3</p>  <p>ϕ1/4"x16mm</p>	<p>#4</p>  <p>ϕ8x30mm</p>	<p>#5</p>  <p>ϕ8x1"</p>
<p>Bolt 20 PCS (Extra 1)</p>	<p>Spring Washer 18 PCS (Extra 1)</p>	<p>Flat Washer 18 PCS (Extra 1)</p>	<p>Wood Dowel 20 PCS (Extra 1)</p>	<p>Long Screw 16 PCS (Extra 1)</p>
<p>#6</p>  <p>Magnet 2 PCS</p>	<p>#7</p>  <p>ϕ3x14mm Round Head Screw 4 PCS</p>	<p>#8</p>  <p>Shelf Holder 8 PCS (Extra 1)</p>	<p>#9</p>  <p>Allen Wrench 1 PC</p>	<p>#10</p>  <p>Handle 2 PCS</p>
<p>#11</p>  <p>Knob 2 PCS</p>	<p>#12</p>  <p>ϕ5/32x22mm Round Head Bolt 6 PCS</p>			

ADDITIONAL TOOLS (Not Provided)

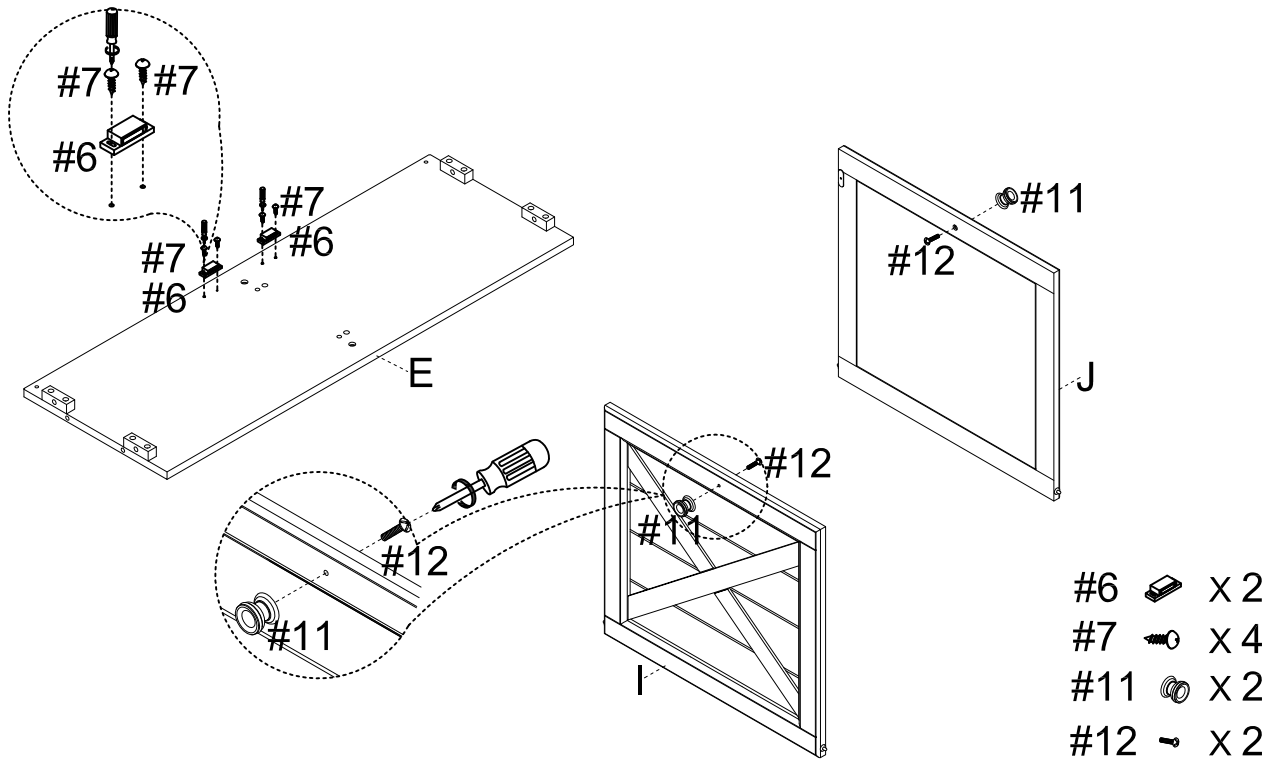
Note: It is not recommended to use power tools during assembly.



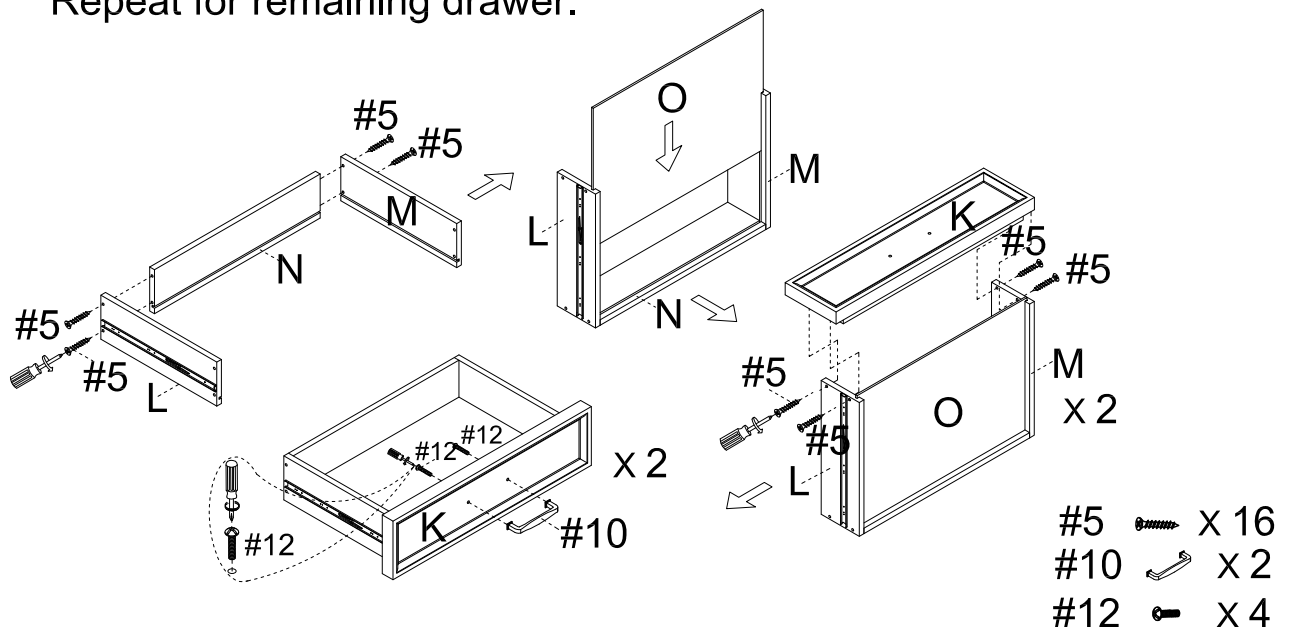
Phillips Head Screwdriver

Note: Wood dowels are intended for alignment. Additional clearance between wood dowel and pre-drilled hole is intentional for ease of assembly.

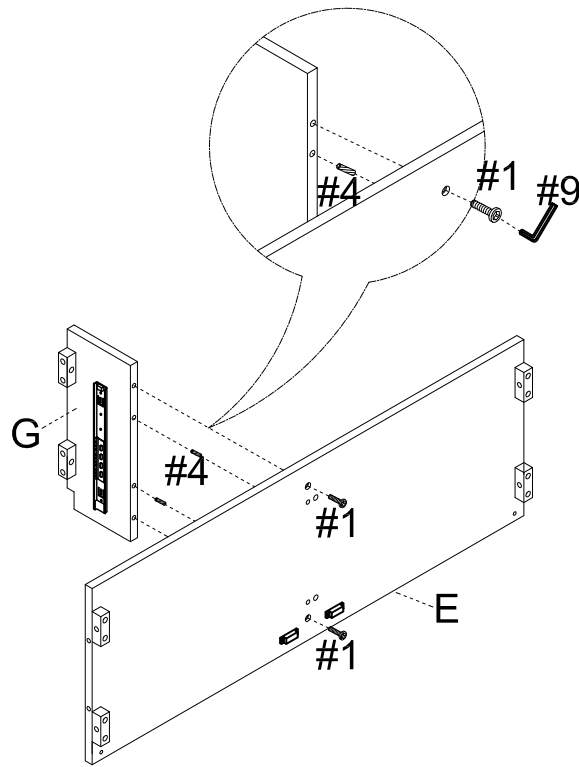
Step 1. Attach knobs (part #11) to door panels (parts I & J) using round head bolts (part #12) and phillips head screwdriver. Attach magnets (part #6) to shelf panel (part E) using round head screws (part #7) and phillips head screwdriver.






Step 2. Attach drawer panels (parts L & M) to drawer back panel (part N) using long screws (part #5) and phillips head screwdriver. Slide drawer bottom panel (part O) into the grooves of assembled unit (parts L, M & N). Attach drawer front panel (part K) to assembled unit (parts L, M & O) using long screws (part #5) and phillips head screwdriver. Attach handle (part #10) to drawer front panel (part K) using round head bolts (part #12) and phillips head screwdriver. Repeat for remaining drawer.

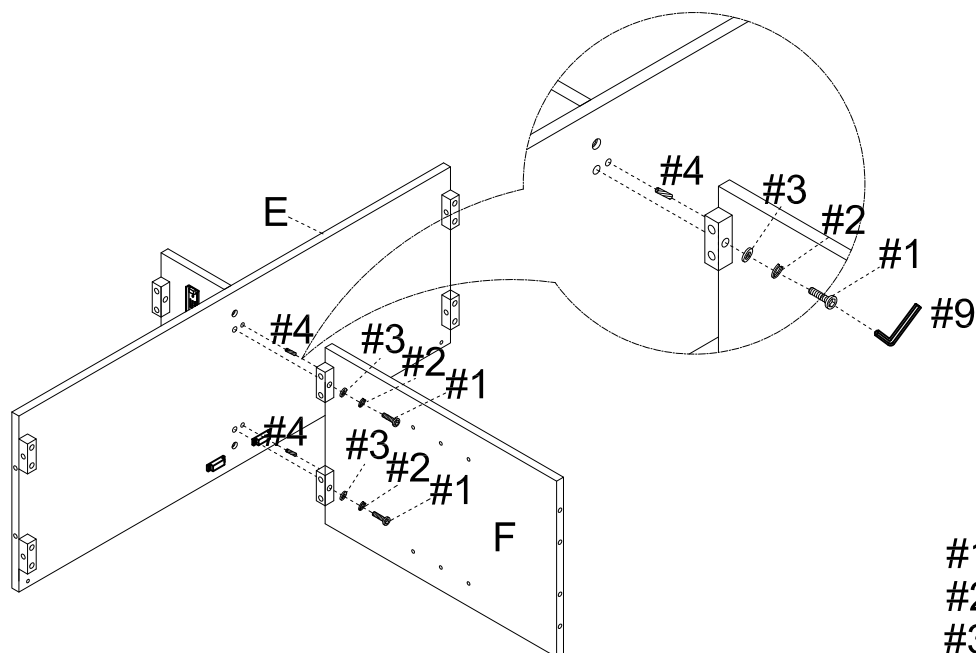







Step 3. Attach upper middle panel (part G) to shelf panel (part E) using wood dowels (part #4), bolts (part #1) and allen wrench (part #9).



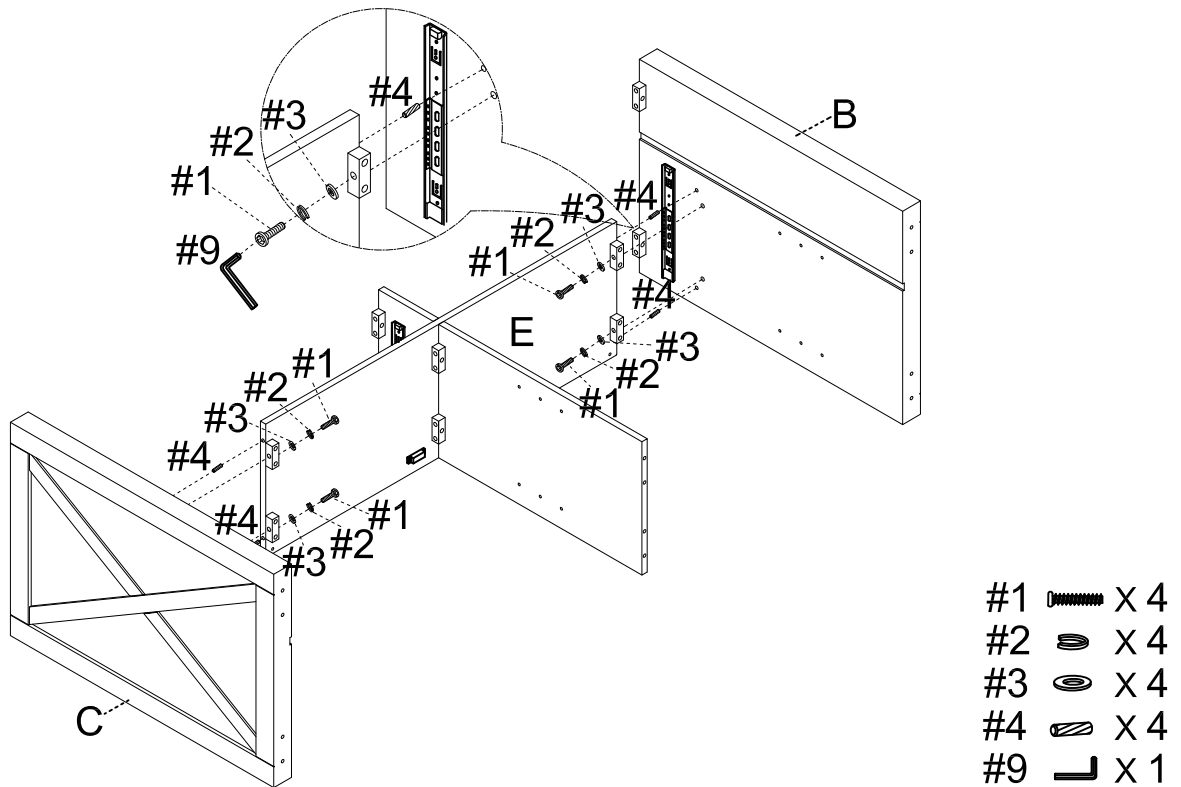
- #1  X 2
- #4  X 2
- #9  X 1

Step 4. Attach middle panel (part F) to shelf panel (part E) using wood dowels (part #4), bolts (part #1), spring washers (part #2), flat washers (part #3) and allen wrench (part #9).

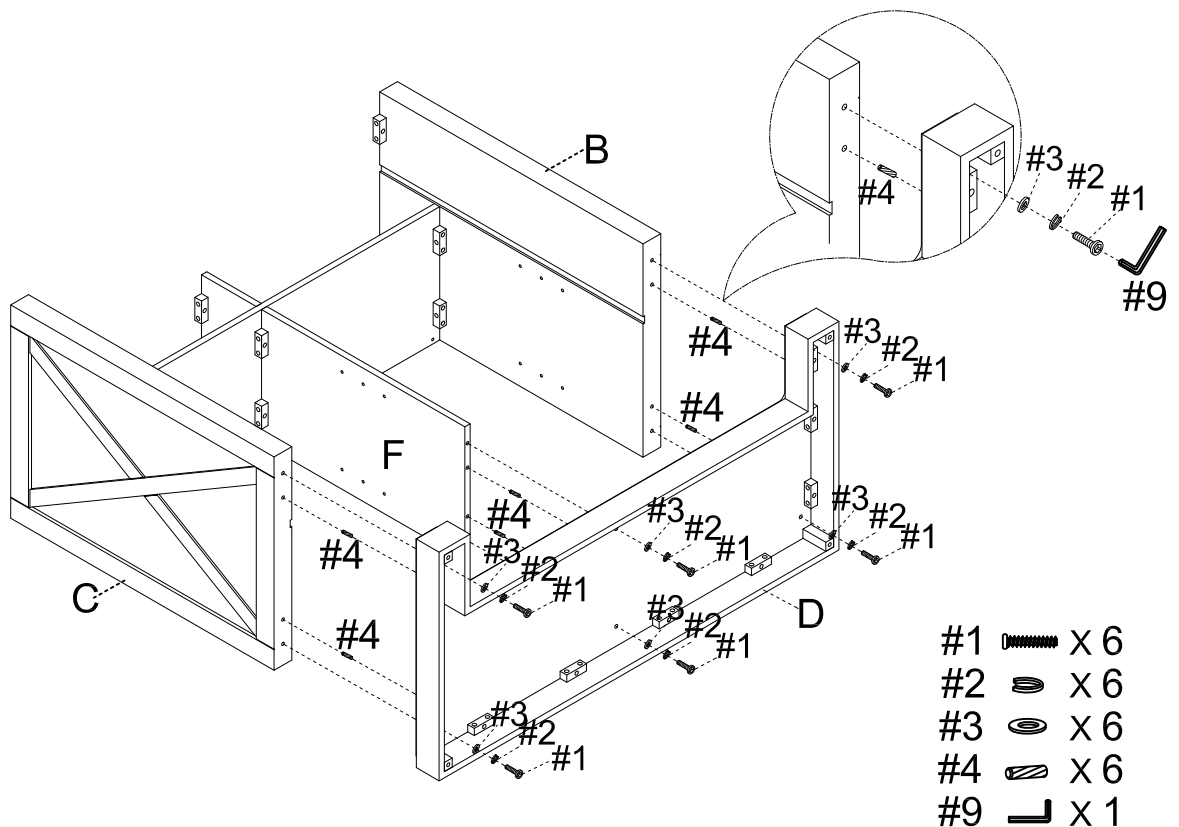


- #1  X 2
- #2  X 2
- #3  X 2
- #4  X 2
- #9  X 1

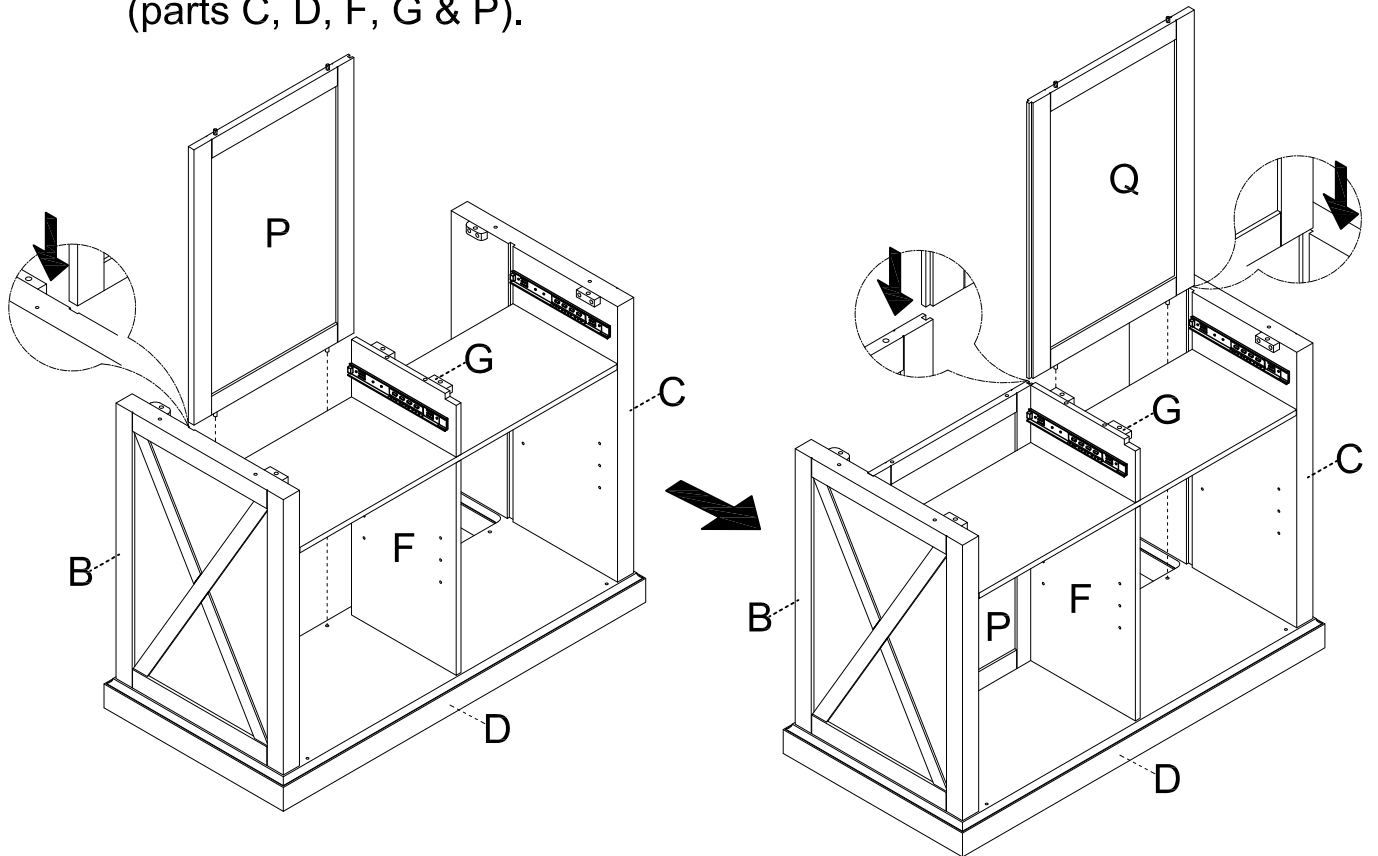
Step 5. Attach panels (parts B & C) to shelf panel (part E) using wood dowels (part #4), bolts (part #1), spring washers (part #2), flat washers (part #3) and allen wrench (part #9).



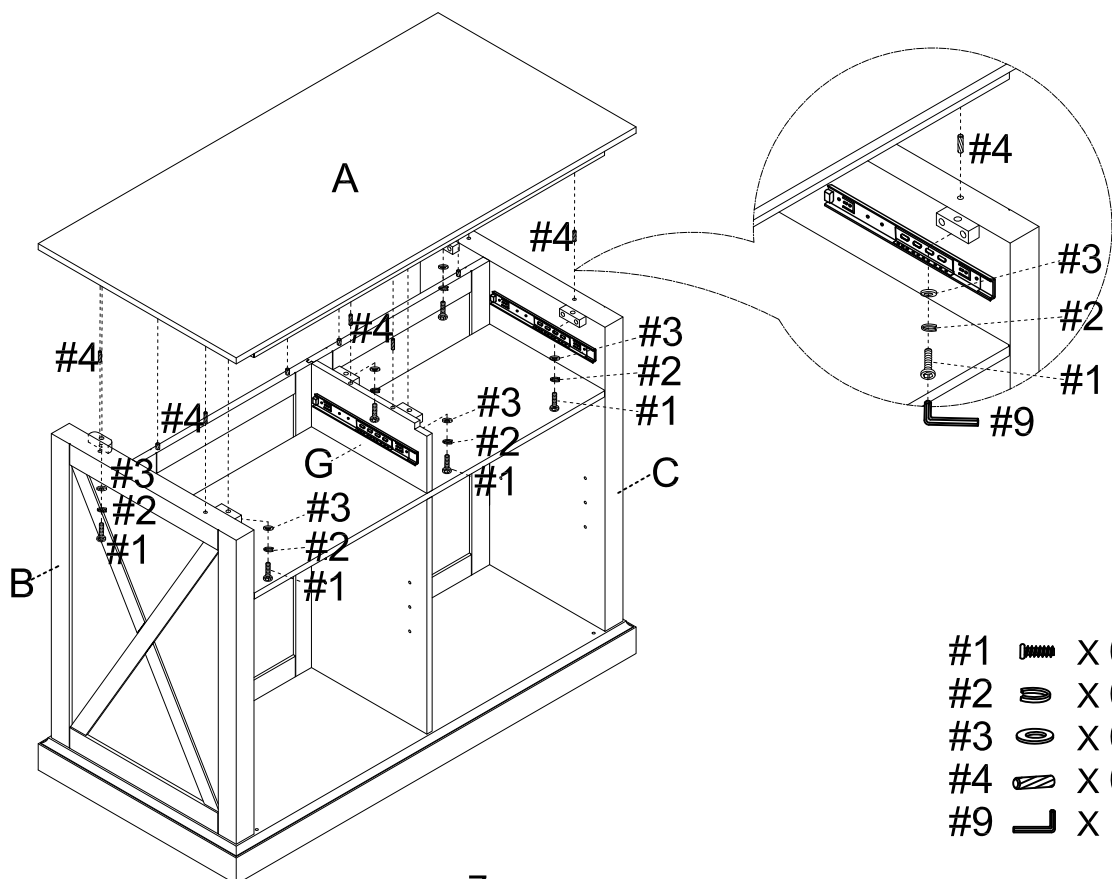
Step 6. Attach bottom panel (part D) to assembled unit (parts B & C & F) using wood dowels (part #4), bolts (part #1), spring washers (part #2), flat washers (part #3) and allen wrench (part #9).



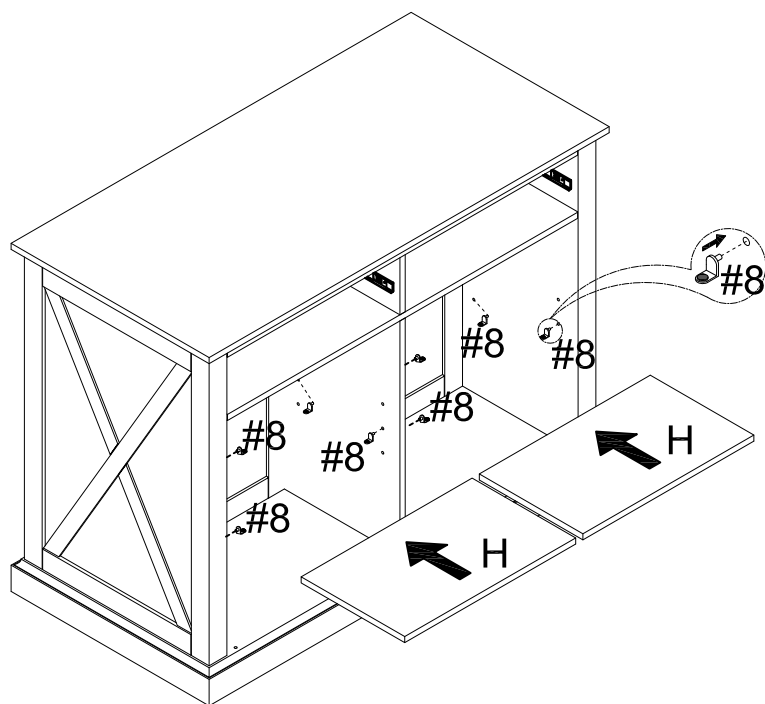
Step 7. Carefully turn unit upright. Slide left back panel (part P) into the grooves of assembled unit (parts B, D, F & G) and then slide right back panel (part Q) into the grooves of assembled unit (parts C, D, F, G & P).



Step 8. Attach top panel (part A) to assembled unit (parts B, C, G P & Q) using wood dowels (part #4), bolts (part #1), spring washers (part #2), flat washers (part #3) and allen wrench (part #9).

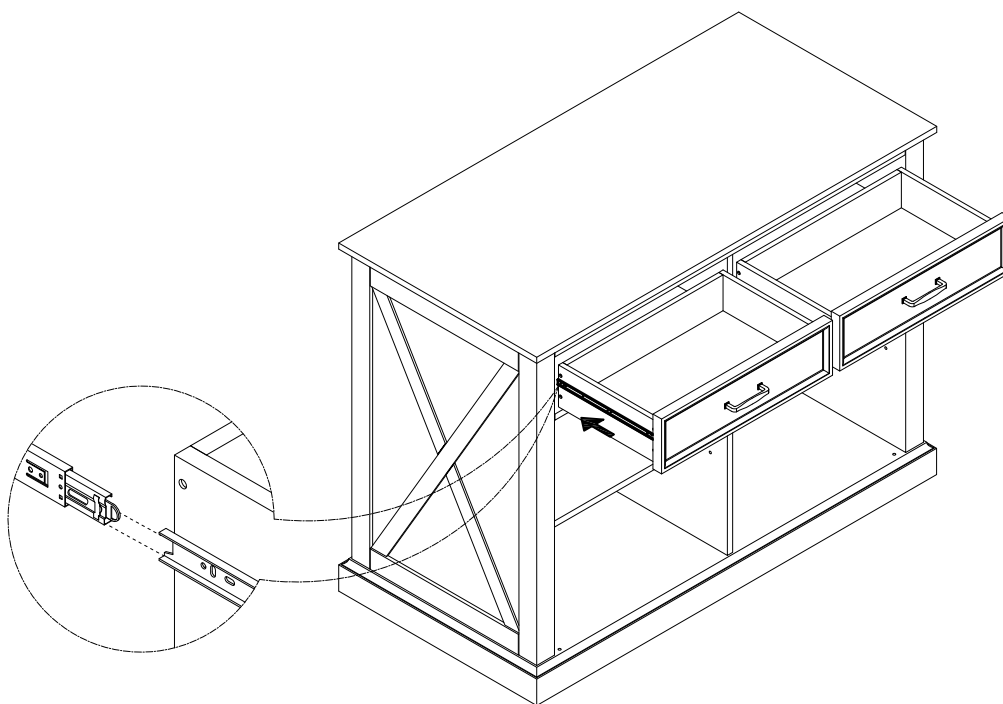


Step 9. Place shelf holders (part #8) into desired position and slide adjustable shelves (part H) into place.



#8  x 8

Step 10. Slide assembled drawers into place.



Step 11. Attach door panels (parts I & J) by placing bottom pin hinge (pre-installed in door) in the pre-drilled hole of bottom panel (part D). Then depress the top spring-loaded pin hinge so it can be placed in the pre-drilled hole of shelf panel (part E).

Note: Be sure top and bottom pin hinges are fully extended to secure doors in place.

Note: It is important to adjust levelers once fully assembled and upright. Extend adjustable leveler until it's firmly in contact with the floor. If relocating, adjust leveler as needed until it's firmly in contact with the floor in new location.

