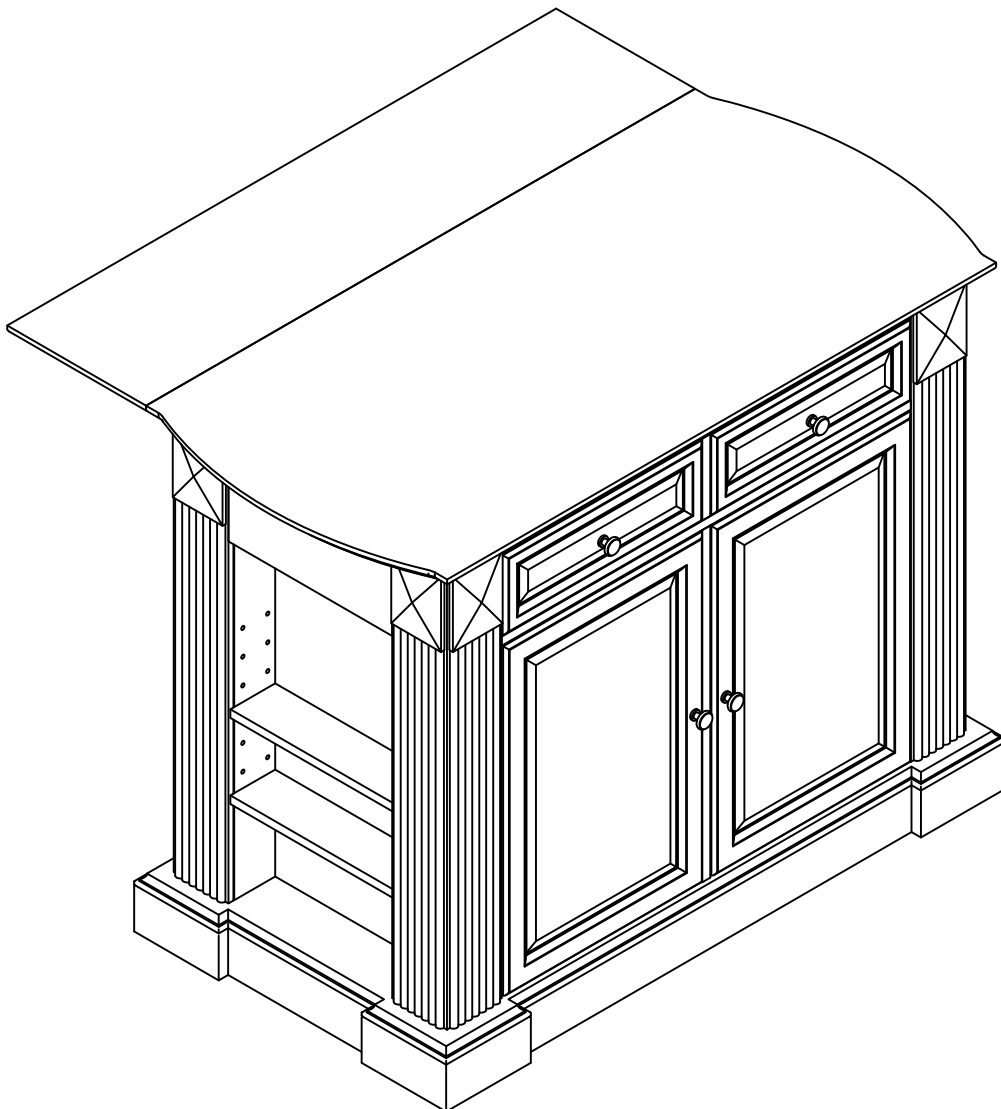
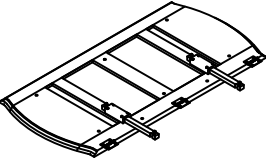
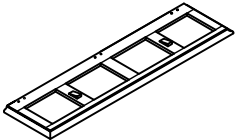
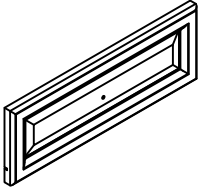
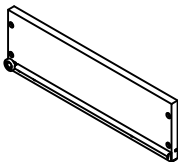
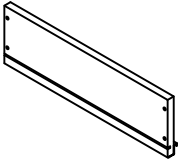
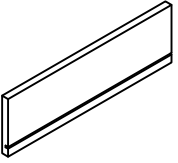
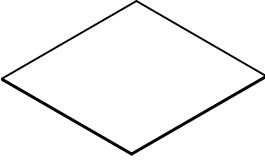
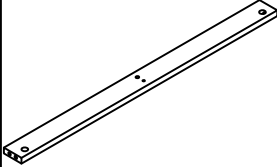
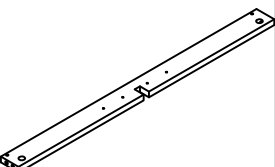
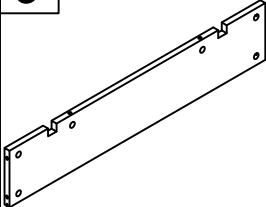
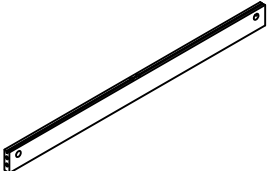

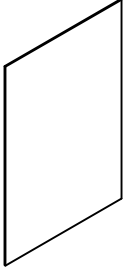
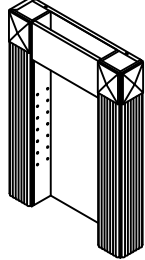
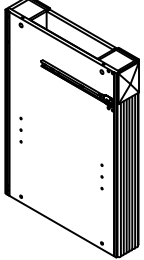
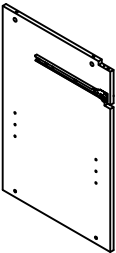
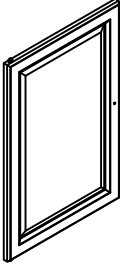
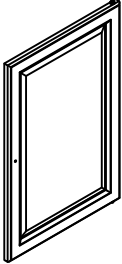
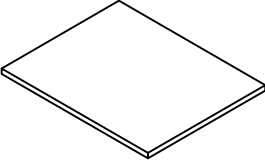
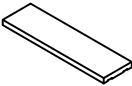
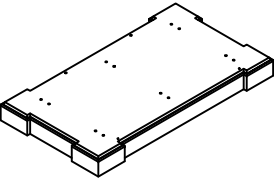







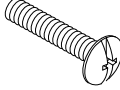
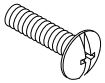




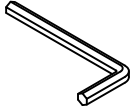
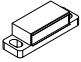


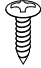


KITCHEN ISLAND WITH DROP LEAF  
CF3003



# PART LIST

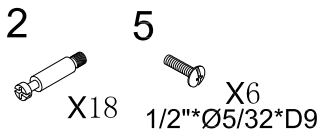
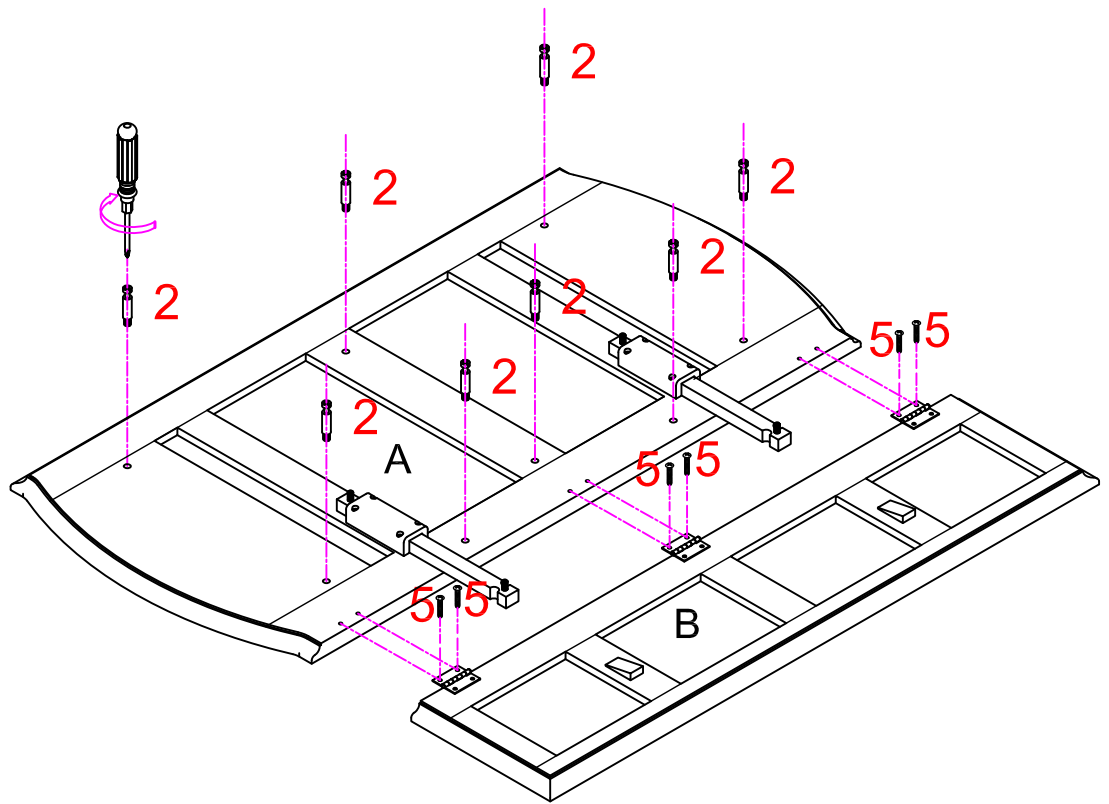
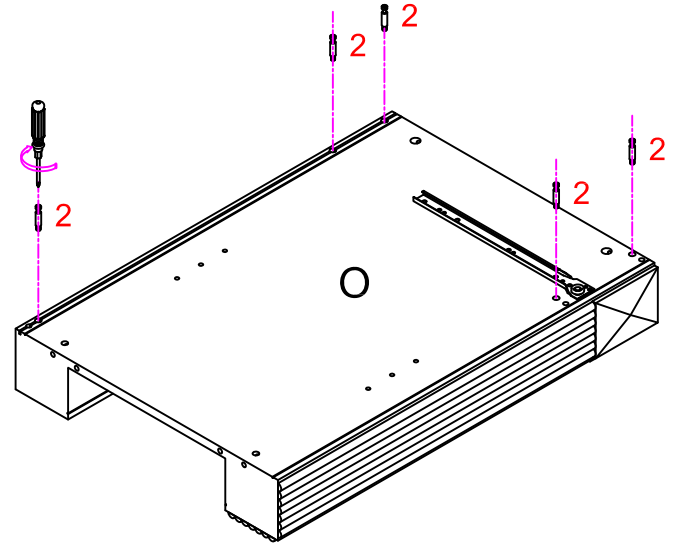
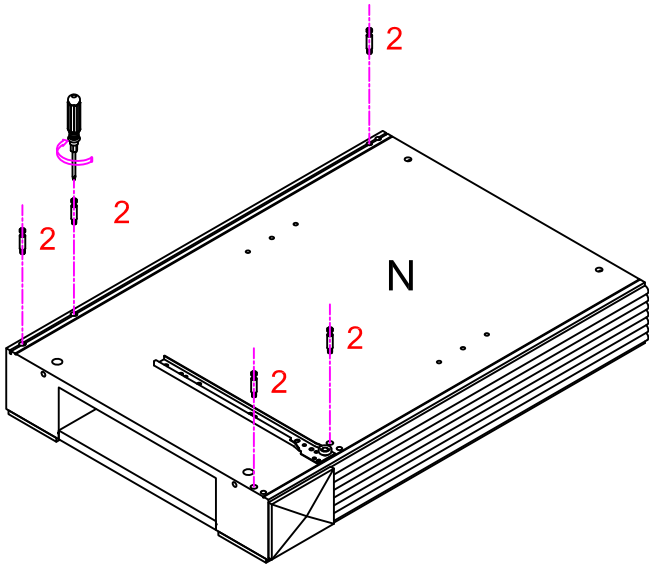
				
<p>Top 1 PC</p>	<p>Drop Leaf 1 PC</p>	<p>Drawer Front Panel 2 PCS</p>	<p>Drawer Left Side Panel 2 PCS</p>	<p>Drawer Right Side Panel 2 PCS</p>
				
<p>Drawer Back Panel 2 PCS</p>	<p>Drawer Bottom Panel 2 PCS</p>	<p>Front Top Rail 1 PC</p>	<p>Front Middle Rail 1 PC</p>	<p>Back Top Exterior Rail 1 PC</p>
				
<p>Back Bottom Rail 1 PC</p>	<p>Partition Rail 1 PC</p>	<p>Back Panel 2 PCS</p>	<p>Left Side Frame 1 PC</p>	<p>Right Side Frame 1 PC</p>
				
<p>Partition Panel 1 PC</p>	<p>Left Door 1 PC</p>	<p>Right Door 1 PC</p>	<p>Big Adjustable Shelf 2 PCS</p>	<p>Small Adjustable Shelf 4 PCS</p>
				
<p>Base 1 PC</p>				

# HARDWARE LIST

<p><b>1</b></p> 	<p><b>2</b></p> 	<p><b>3</b></p> 	<p><b>4</b></p>  <p>7/8"*Ø5/32*D9</p>	<p><b>5</b></p>  <p>1/2"*Ø5/32*D9</p>
<p>Wood Dowel 19 PCS</p>	<p>Cam Bolt 18 PCS</p>	<p>Cam Lock 18 PCS</p>	<p>Long Round Head Bolt 4 PCS</p>	<p>Short Round Head Bolt 6 PCS</p>
<p><b>6</b></p> 	<p><b>7</b></p> 	<p><b>8</b></p> 	<p><b>9</b></p> 	<p><b>10</b></p> 
<p>Knob 4PCS</p>	<p>Barrel Nut 6 PCS</p>	<p>Hex Socket Head Bolt 6 PCS</p>	<p>Flat Washer 6 PCS</p>	<p>Allen Key 1 PC</p>
<p><b>11</b></p> 	<p><b>12</b></p> 	<p><b>13</b></p> 	<p><b>14</b></p> 	<p><b>15</b></p>  <p>1"*Ø4*D8</p>
<p>Magnet 2 PC</p>	<p>Pin Hinge (Spare Parts) 4 PCS</p>	<p>Shelf Holder 24 PCS</p>	<p>Round Head Screw 4 PCS</p>	<p>Short Flat Head Screw 16 PCS</p>
<p><b>16</b></p>  <p>1-1/4"*Ø4*D8</p> <p>Long Flat Head Screw 1 PC</p>				

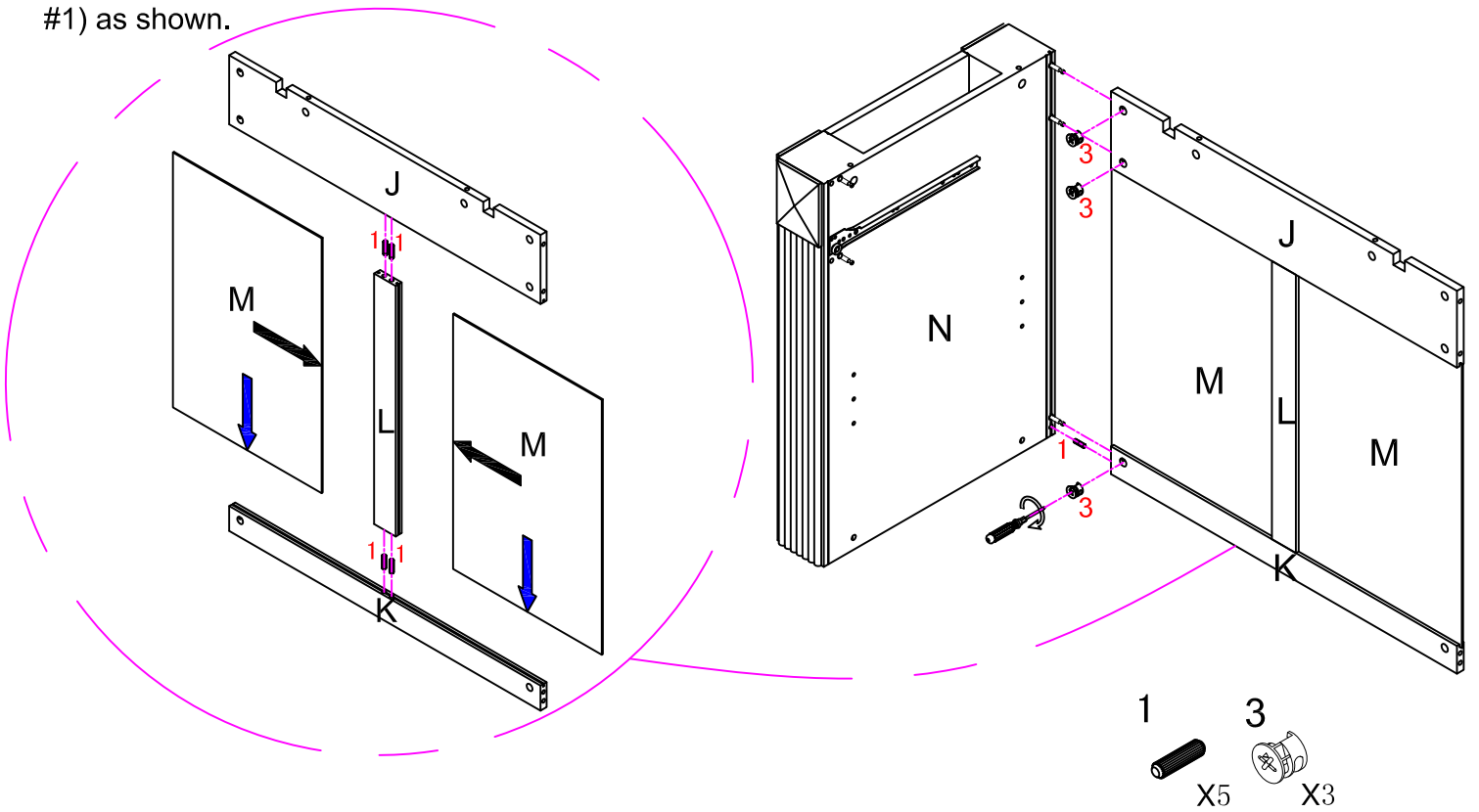
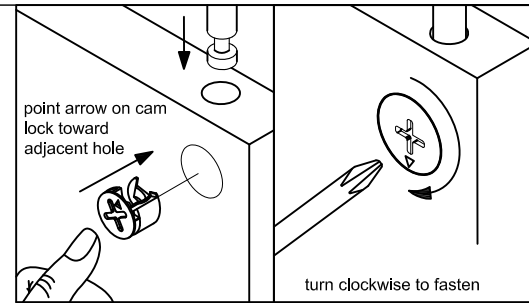
Tools needed: Allen key (part#11) (included)  
Phillips Head Screw Driver (Not included)

Step 1  
 Insert Cam Bolts (Part #2) into pre-drilled holes of parts A, O & N using a Phillips head screw driver. Attach Drop Leaf (Part B) to Top (Part A) using Short Round Head Bolts (Part #5) as shown.



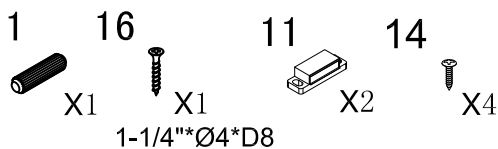
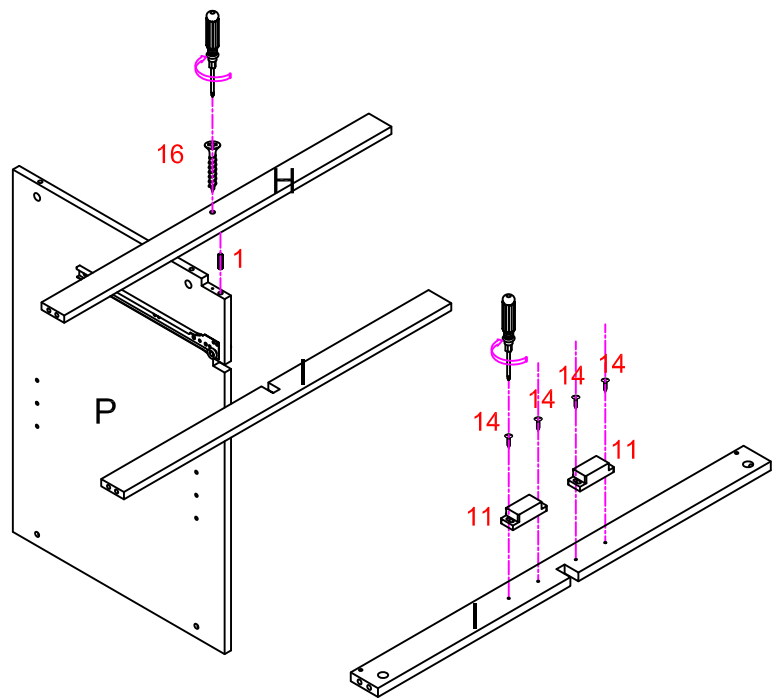
## Step 2

Note - Two people are required for this step.  
 Attach Back Top Exterior Rail (J) & Back Bottom Rail (K) to the Partition Rail (L) with Wood Dowels (Part #1), and insert Back Panels (M) as shown.  
 One person will need to hold assembled Parts J, K, L & M up straight, while the other person attaches Side Frame N to Parts J & K using Cam Locks (Part #3) & Wood Dowels (Part #1) as shown.



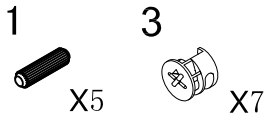
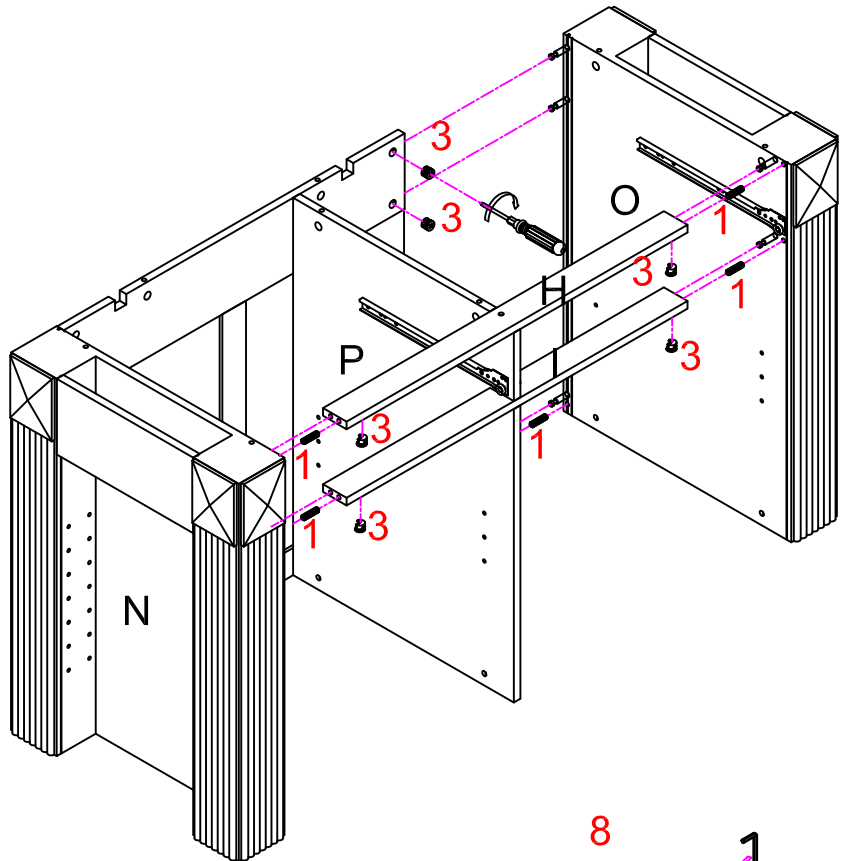
## Step 3

Attach the Magnets (Part #11) to the Front Middle Rail (I) using Round Head Screws (Part #14) as shown.  
 Attach the Front Top Rail (H) using Wood Dowel (Part #1) and Long Flat Head Screw (Part #16) as shown. Slide Rail into place with Partition Panel (P) as shown.  
 Note - Be sure that magnets are facing down.



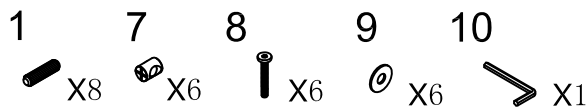
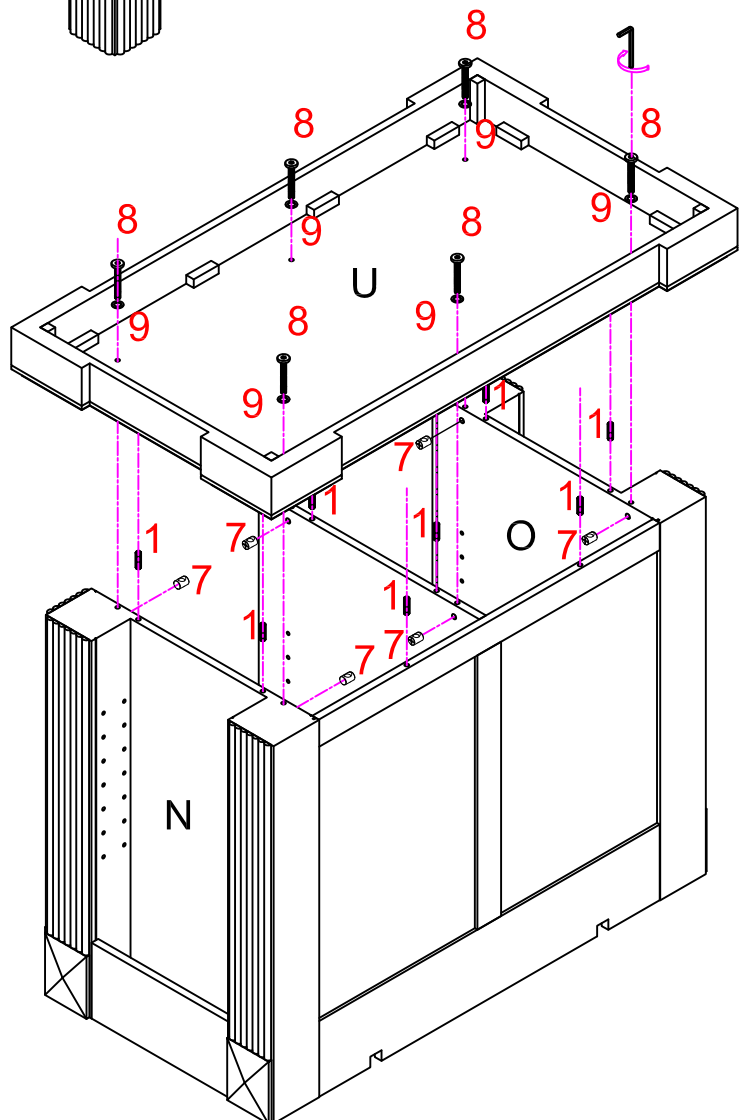
**Step 4**

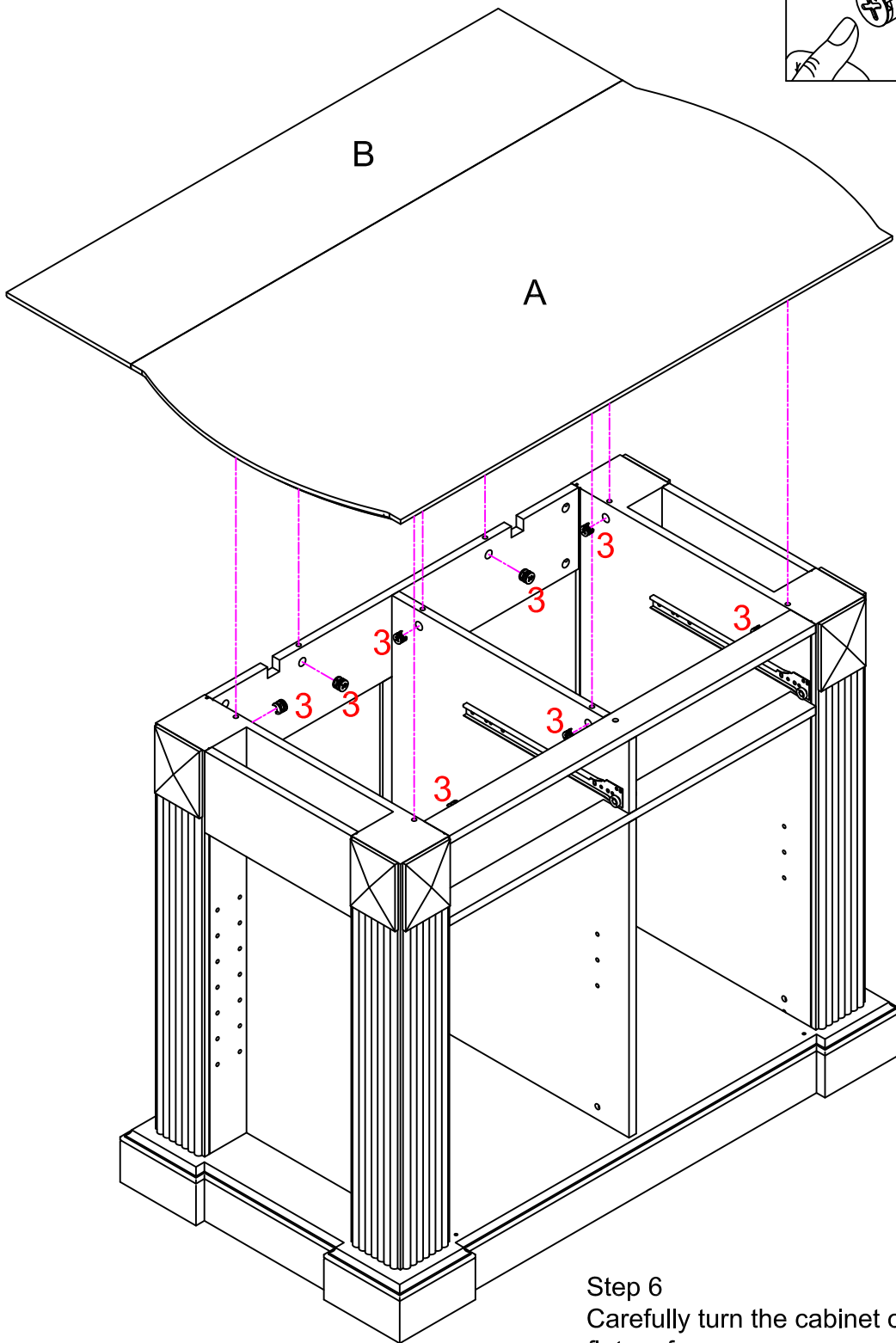
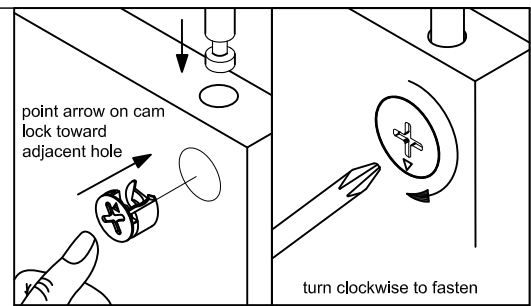
Attach assembled parts H, I & P to Side Frame (N) with Wood Dowels (Part #1) & Cam Locks (Part #3) as shown. Attach Right Side Frame (O) to Back Top Exterior Rail (J), Back Bottom Rail(K) & Rail (H & I) using Wood Dowels (Part #1) & Cam Locks (Part #3) as shown.



**Step 5**

Carefully turn the cabinet over on a flat surface. Attach Base (U) to cabinet using Wood Dowels (Part #1), Barrel Nuts (Part #7), and Hex Socket Head Bolt (Part #8) with Flat Washer (Part #9) as shown.

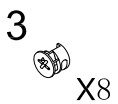




**Step 6**

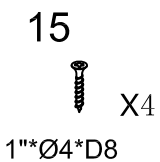
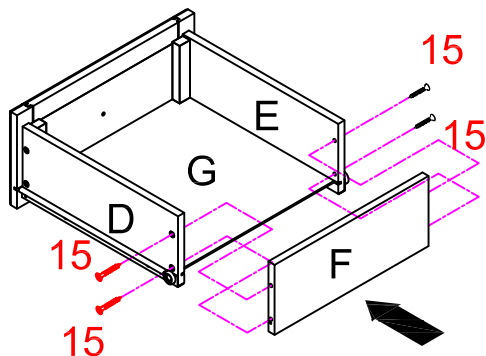
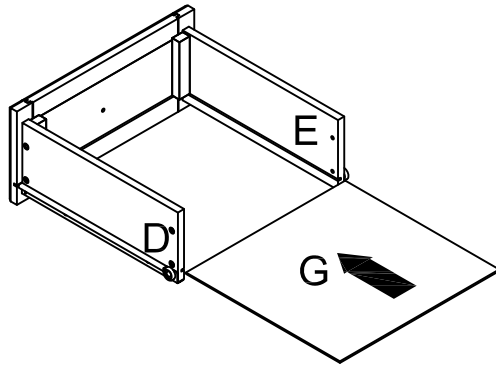
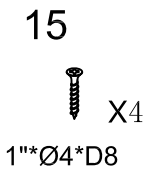
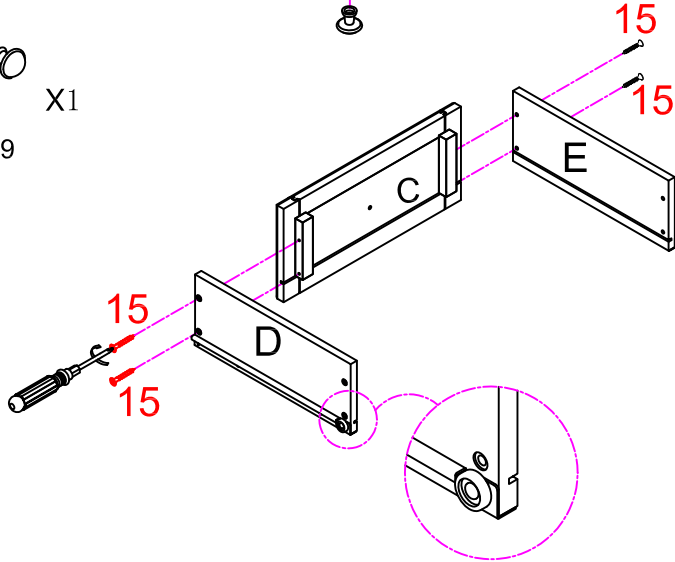
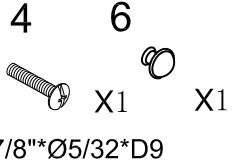
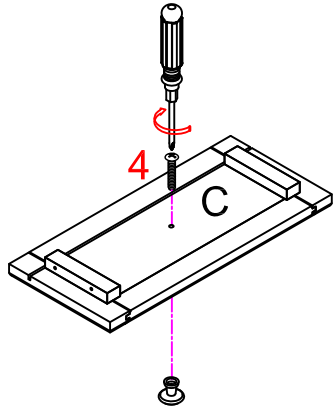
Carefully turn the cabinet over with the base on a flat surface.

Place the assembled Top (Parts A&B) onto the cabinet and attach using Cam Locks (Part #3) as shown.



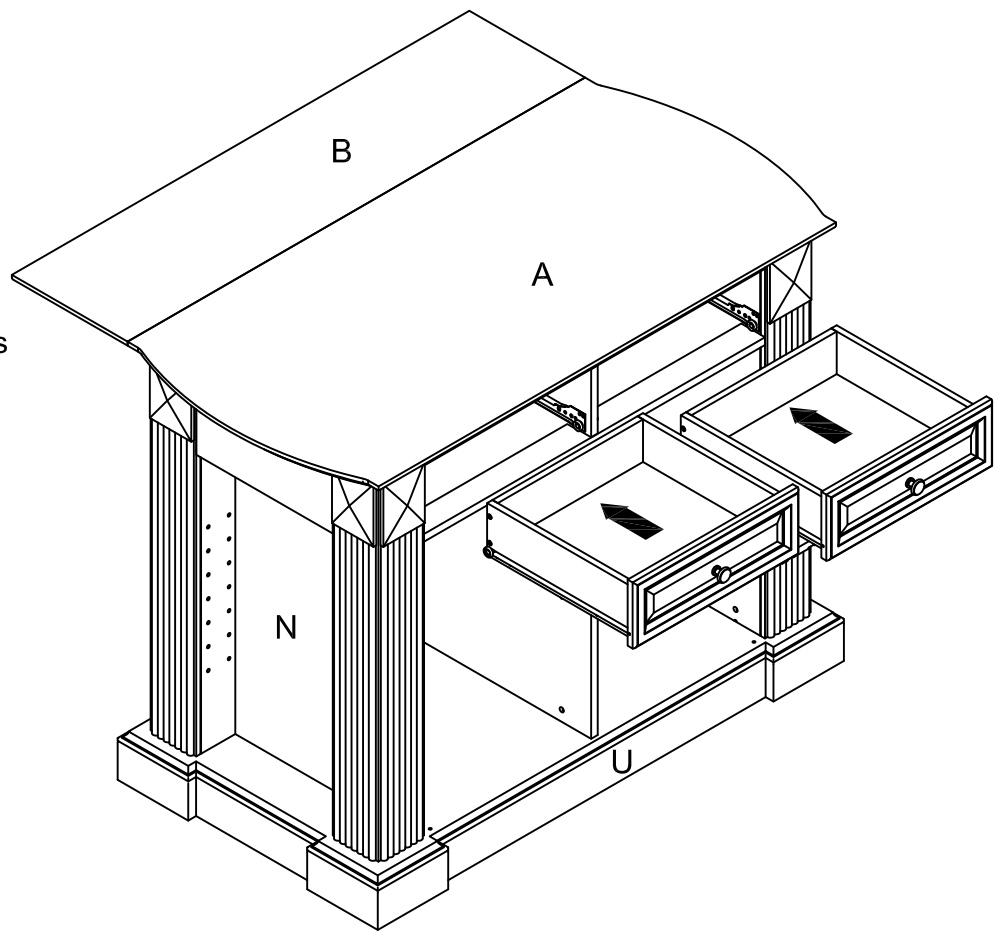
Step 7

Attach Knob (Part #6) to the Drawer Front Panel (C) using Long Round Head Bolt (Part #4). Using Short Flat Head Screws (Part #15), attach the Left & Right Side Panels (D&E) to the Drawer Front Panel (C). Insert Drawer Bottom Panel (G) into the groove as shown. Using Short Flat Head Screws (Part #15), attach Drawer Back Panel (F) to Drawer Side Panels (D&E).  
 NOTE - Be sure that roller wheels on drawer glides are at the back side of the assembled drawer.

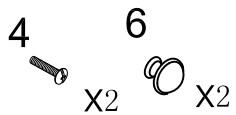
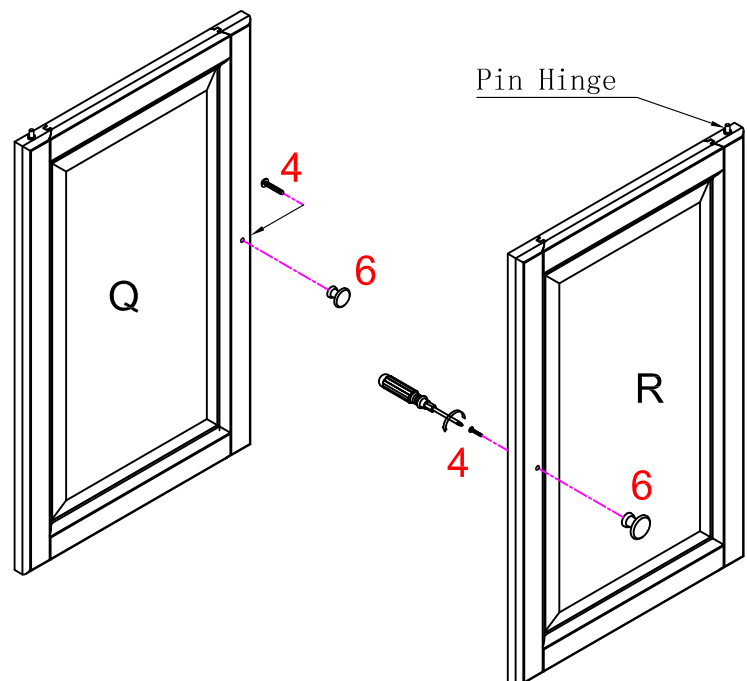




Step 8  
Insert the assembled drawers as shown.

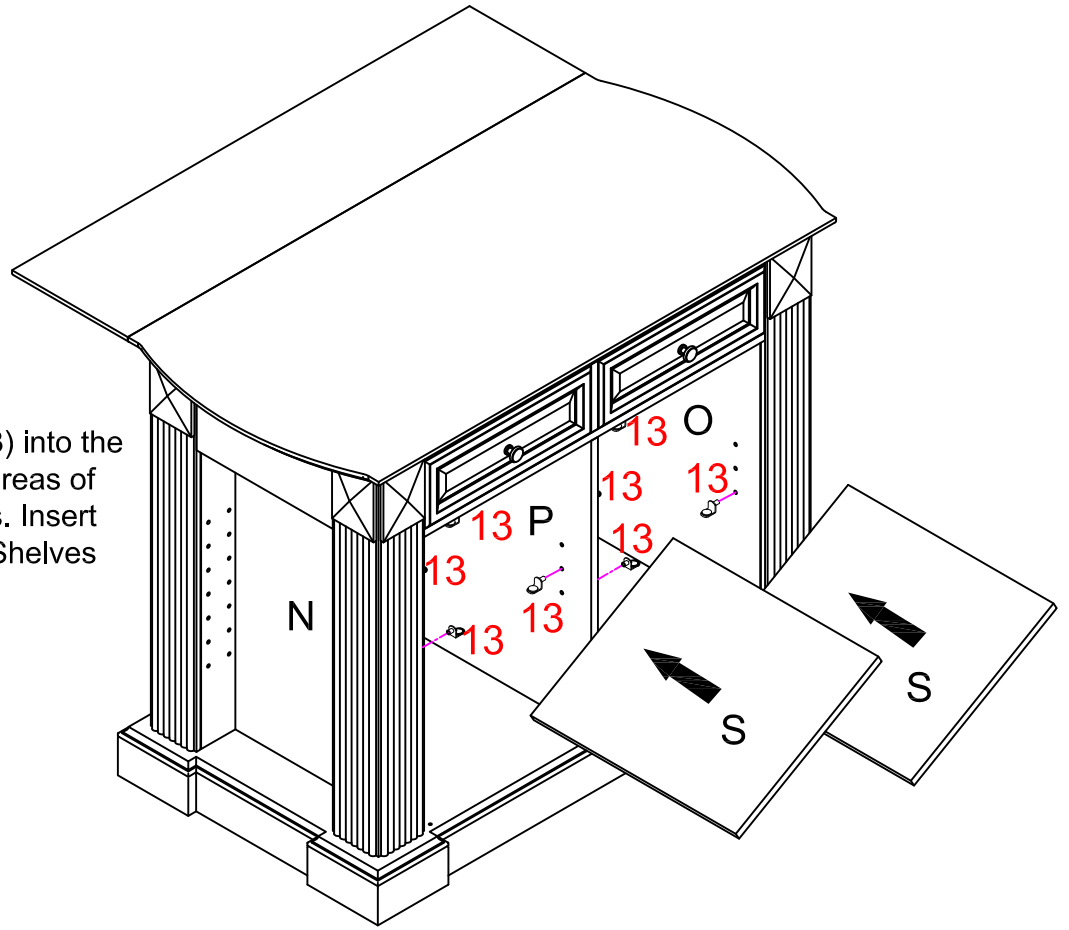



Step 9  
Attach the knobs to the Left & Right Door (Q & R) using Long Round Head Bolts (Part #4).

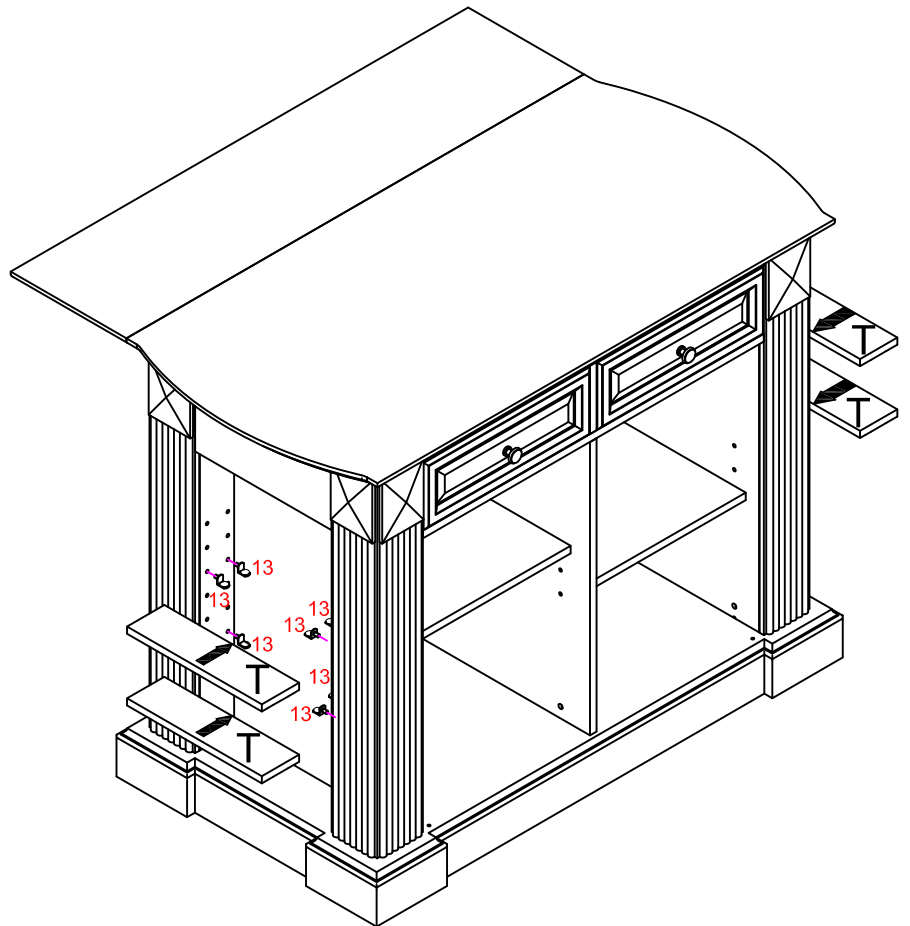


7/8" \* Ø5/32 \* D9

Step 10  
Insert Shelf Holders (Part #13) into the interior and exterior storage areas of the cabinet at desired heights. Insert the Big Shelves (S) & Small Shelves (T) into place as shown.

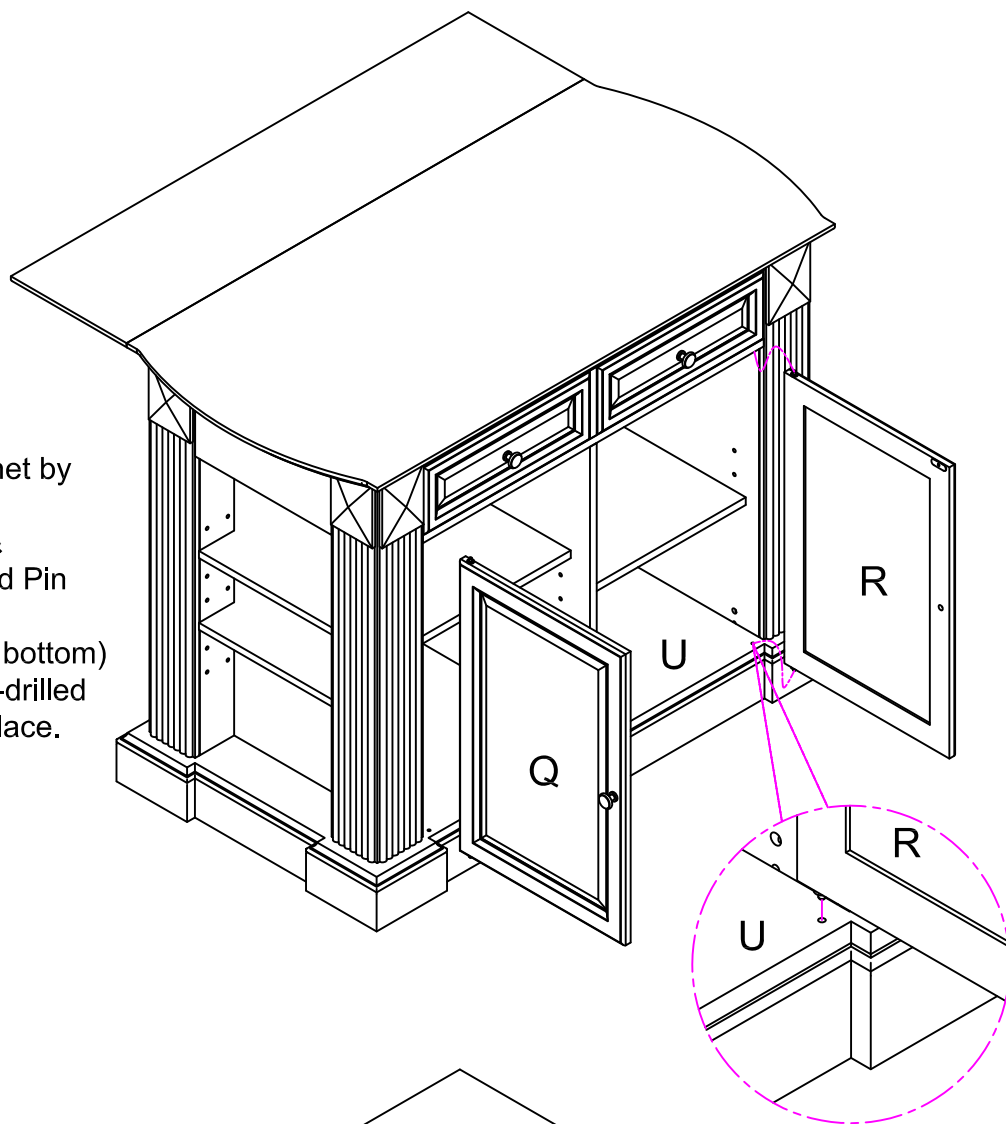


13  
 X24



**Step 11**

Attach doors (Q&R) to the cabinet by placing bottom Pin Hinge into pre-drilled holes at the bottom & depressing the top spring loaded Pin Hinge to fit the doors into place.  
Note: Be sure Pin Hinges (top & bottom) have fully extended into the pre-drilled holes to secure the doors into place.



**Congratulations! You are finished.**

