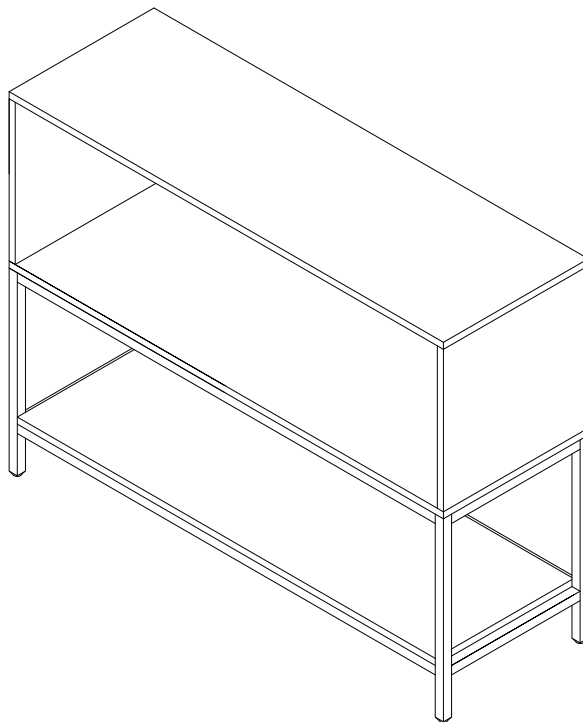
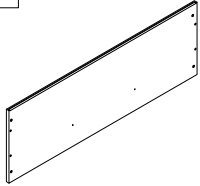
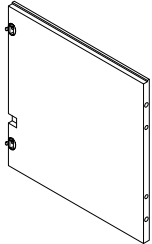
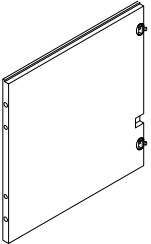
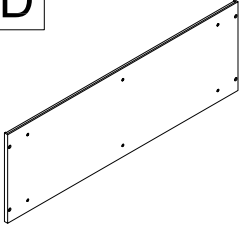
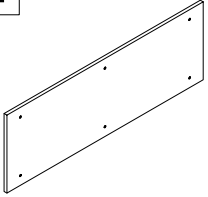
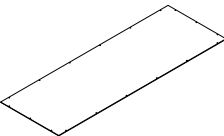
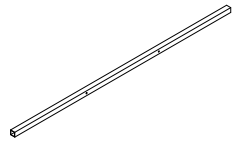
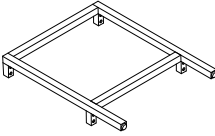
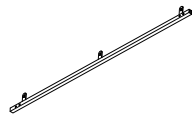




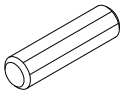
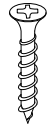
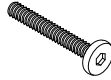
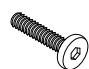


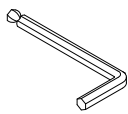

Record Storage Console
CF1316



PART LIST

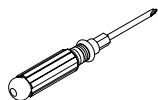
				
<p>Top Panel 1 PC</p>	<p>Left Panel 1 PC</p>	<p>Right Panel 1 PC</p>	<p>Bottom Panel 1 PC</p>	<p>Fixed Shelf 1 PC</p>
				
<p>Back Panel 1 PC</p>	<p>Support Bar 1 PC</p>	<p>Side Frame 2 PCS</p>	<p>Cross Rail 4 PCS</p>	

HARDWARE LIST

 <p>Ø8*30mm</p>		 <p>1-1/2"*Ø1/4"*D11mm</p>	 <p>1/2"*Ø1/4"*D11mm</p>	
<p>Wood Dowel 8 PCS (Extra 1)</p>	<p>Screw 2 PCS</p>	<p>Long Bolt 4 PCS (Extra 1)</p>	<p>Bolt 28 PCS (Extra 1)</p>	<p>Flat Washer 12 PCS</p>
				
<p>Short Screw 18 PCS (Extra 1)</p>	<p>Allen Wrench 1 PC</p>	<p>Safety Strap Kit 1 SET</p>		

ADDITIONAL TOOLS (Not Provided)

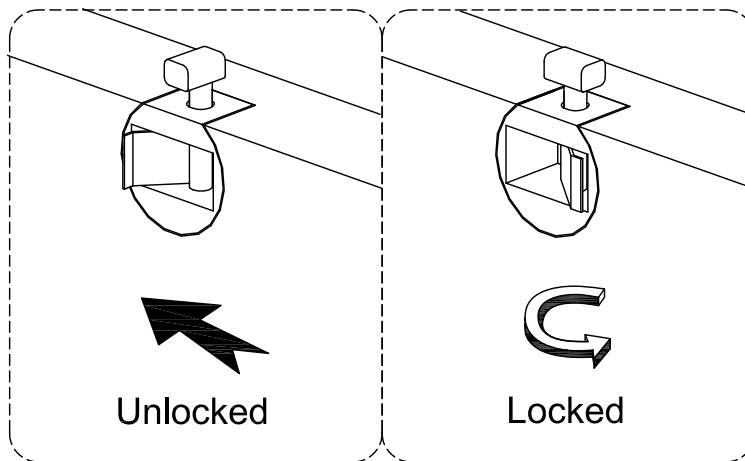
Note: It is not recommended to use power tools during assembly.



Phillips Head Screwdriver

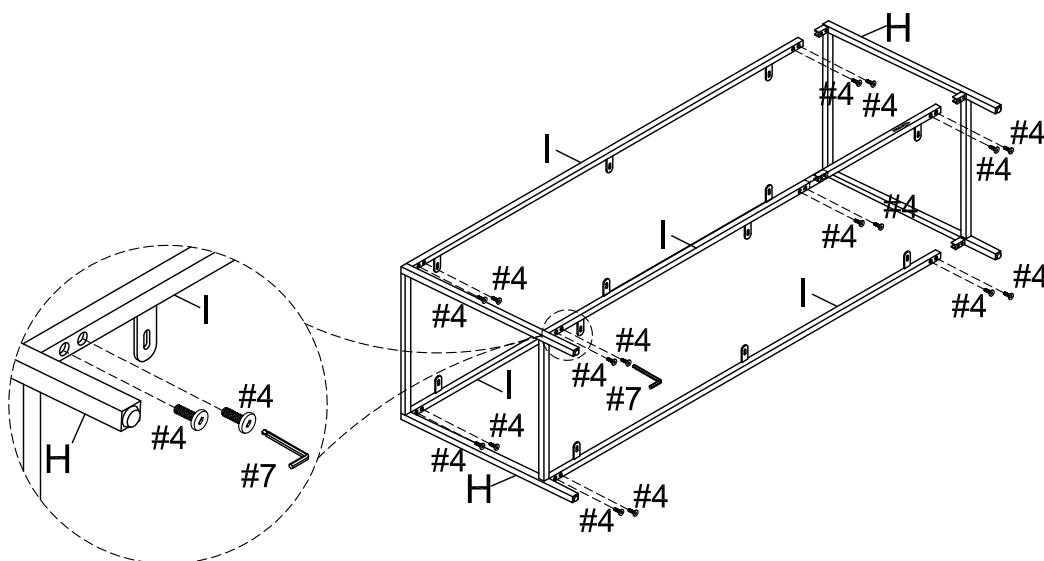
Note: Wood dowels are intended for alignment. Additional clearance between wood dowel and pre-drilled hole is intentional for ease of assembly.

Please do not use tools to assemble this unit unless specifically indicated.



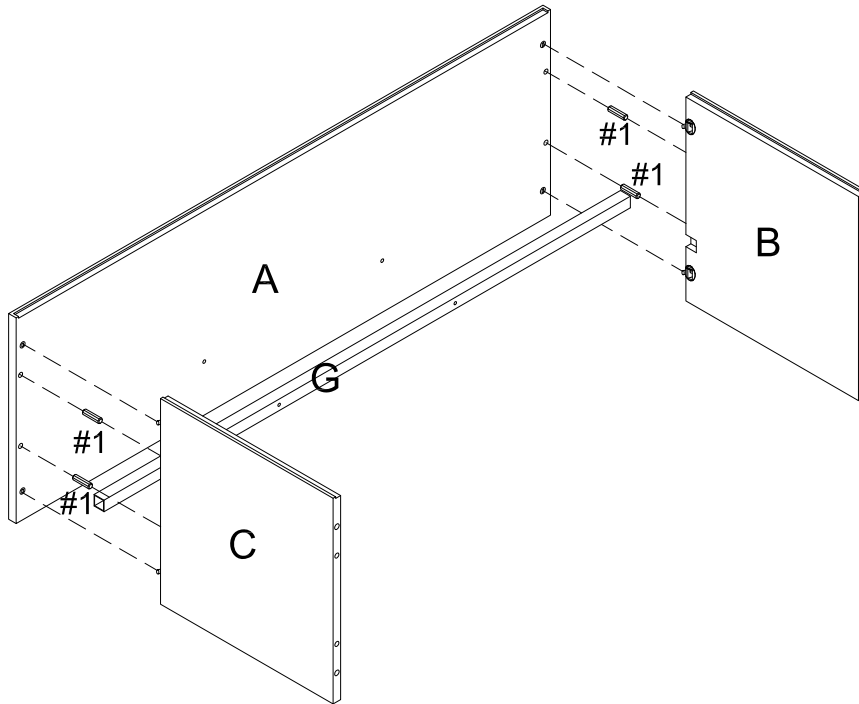
Reference the images above any time the instructions state "lock the hardware".
Note: Be sure to check all hardware is locked when completed.


Step 1. Insert side frames (part H) into cross rails (part I). Secure assembled unit (parts H & I) using bolts (part #4) and allen wrench (part #7).



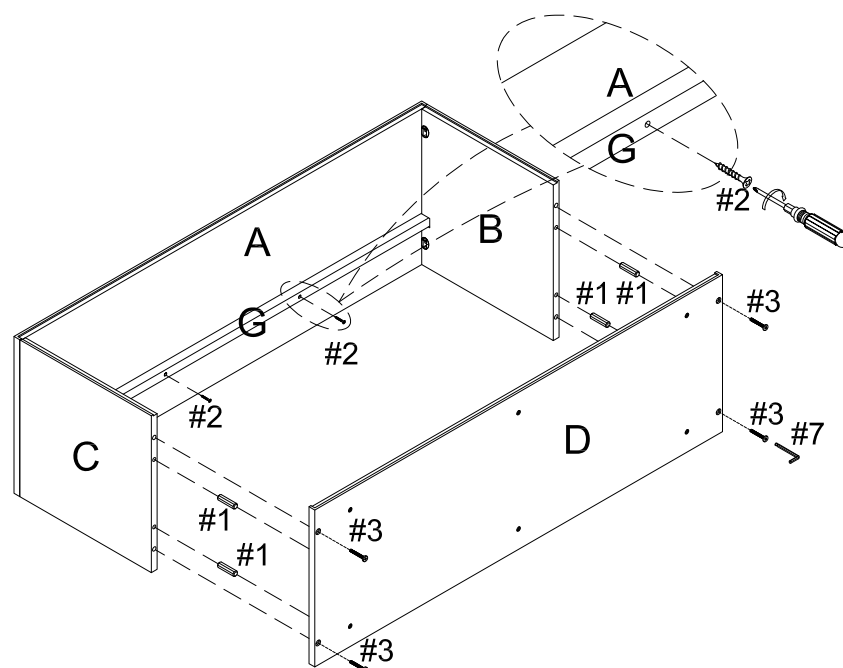
#4  x 16
#7  x 1

Step 2. Insert support bar (part G) into the grooves of left panel (part B) and right panel (part C). Attach assembled unit (parts B, C & G) to top panel (part A) using wood dowels (part #1) and lock the hardware.



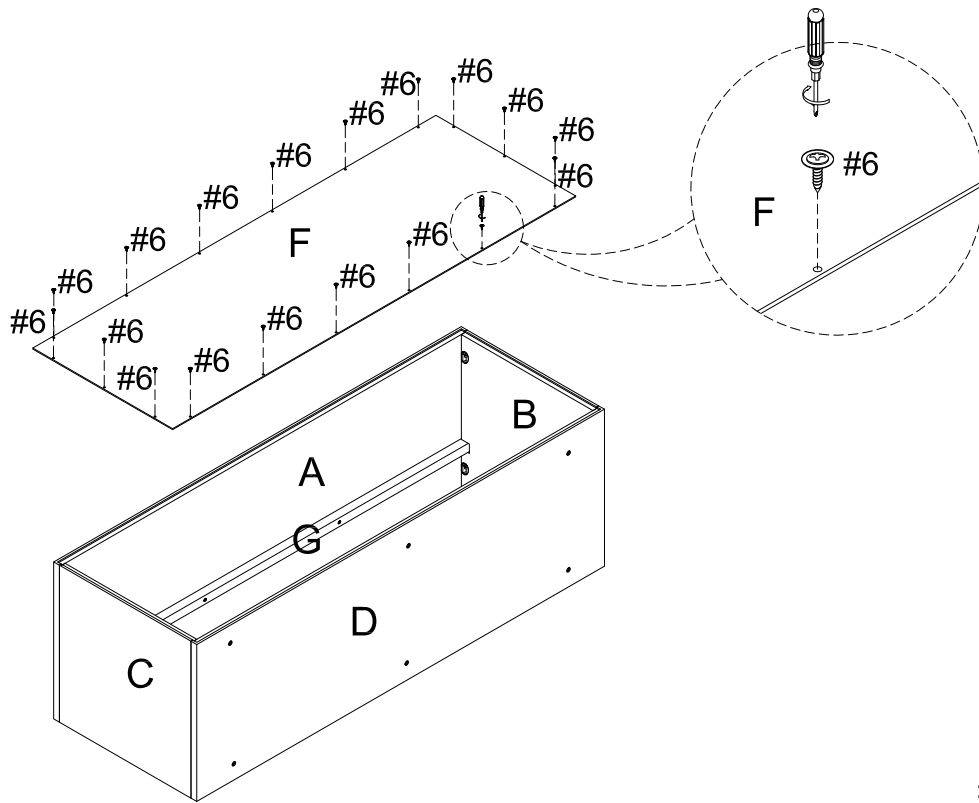
#1  x 4

Step 3. Secure support bar (part G) to top panel (part A) using screws (part #2) and phillips head screwdriver. Attach bottom panel (part D) to assembled unit (parts B & C) using wood dowels (part #1), long bolts (part #3) and allen wrench (part #7).



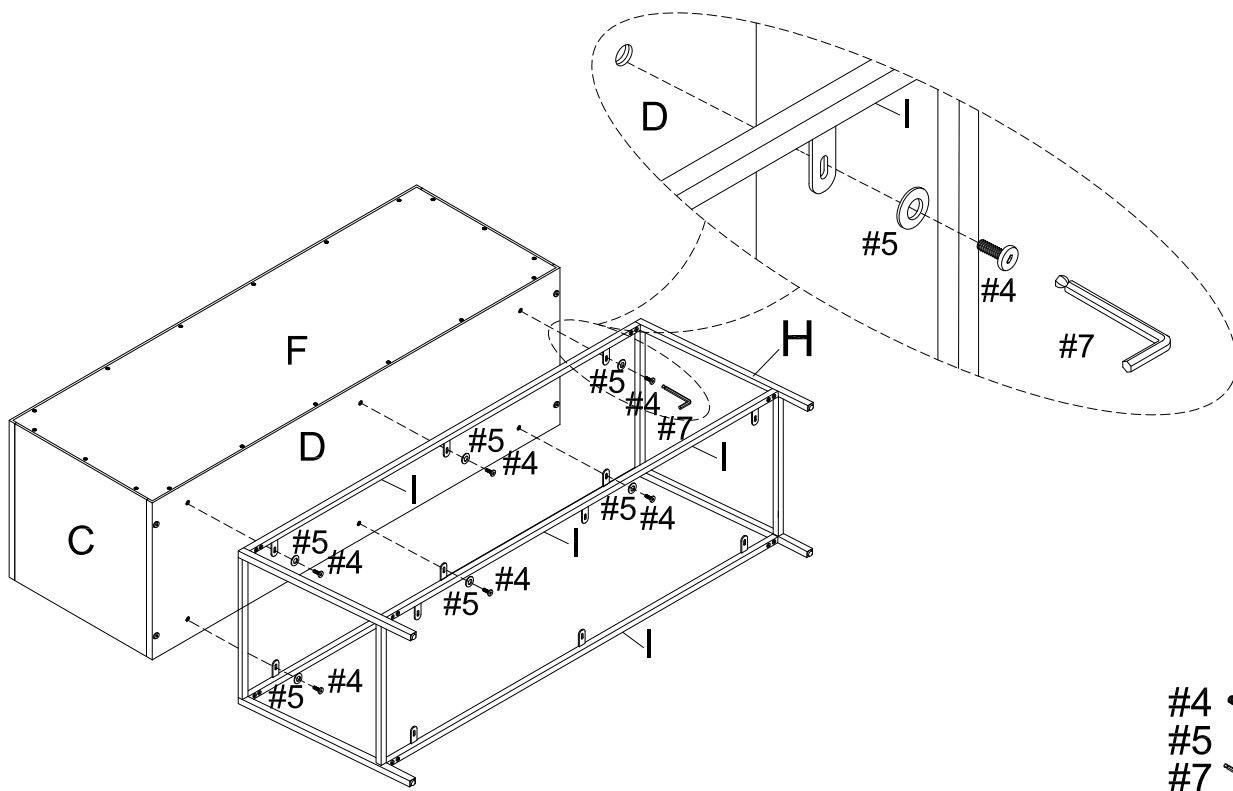
#1  x 4
 #2  x 2
 #3  x 4
 #7  x 1




Step 4. Attach back panel (part F) to assembled unit (parts A, B, C & D) using short screws (part #6) and phillips head screwdriver.



#6  x 18

Step 5. Attach assembled unit (parts H & I) to bottom panel (part D) using bolts (part #4), flat washers (part #5) and allen wrench (part #7).

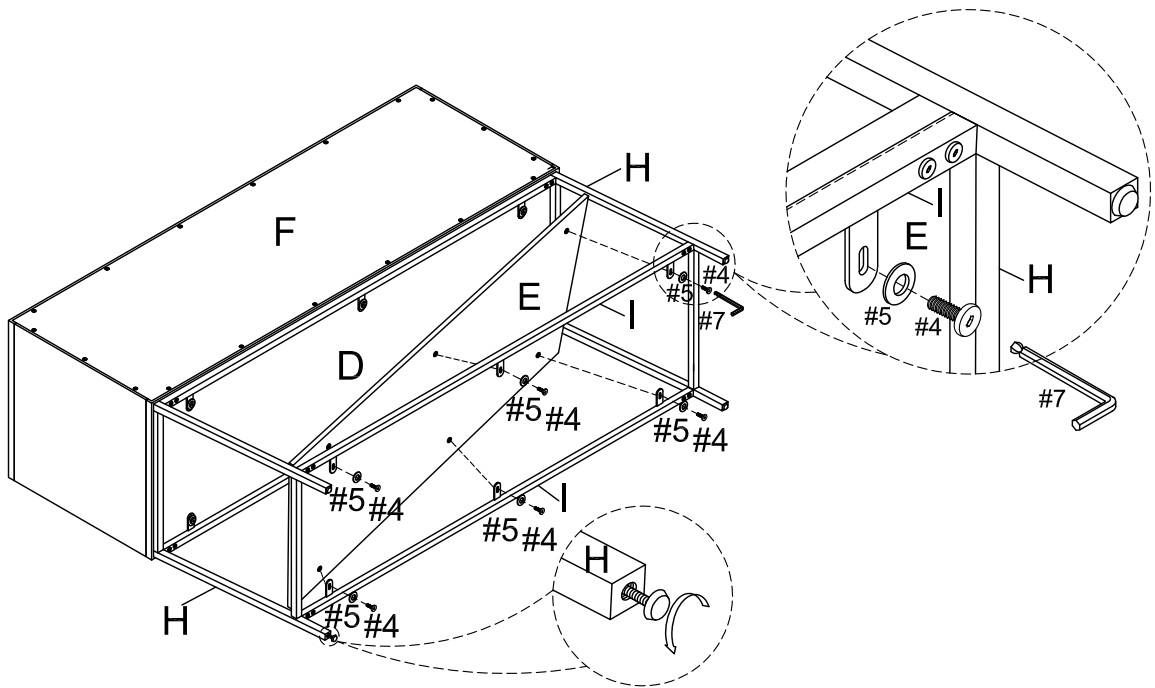





#4  x 6
 #5  x 6
 #7  x 1


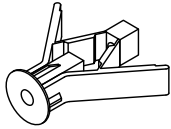

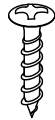
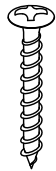
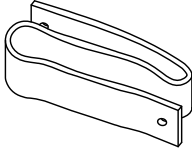
Step 6. Put fixed shelf (part E) onto assembled unit (parts H & I). Secure fixed shelf (part E) using bolts (part #4), flat washers (part #5) and allen wrench (part #7).

NOTE: It is important to adjust levelers once fully assembled and upright. Extend adjustable leveler until it's firmly in contact with the floor. If relocating, adjust leveler as needed until it's firmly in contact with the floor in new location.

Important: Safety strap kit (part #8) must be installed to prevent tipping, damage and/or injury.



- #4  x 6
- #5  x 6
- #7  x 1

#8 	A 	B 	C  D8*3/4"	D  D8*1-1/2"	E 
Safety Strap Kit 1 SET	Wall Anchor 1 PC	Washer 2 PCS	Short Screw 1 PC	Long Screw 1 PC	Safety Wall Strap 1 PC

SAFETY WALL STRAP INSTALLATION

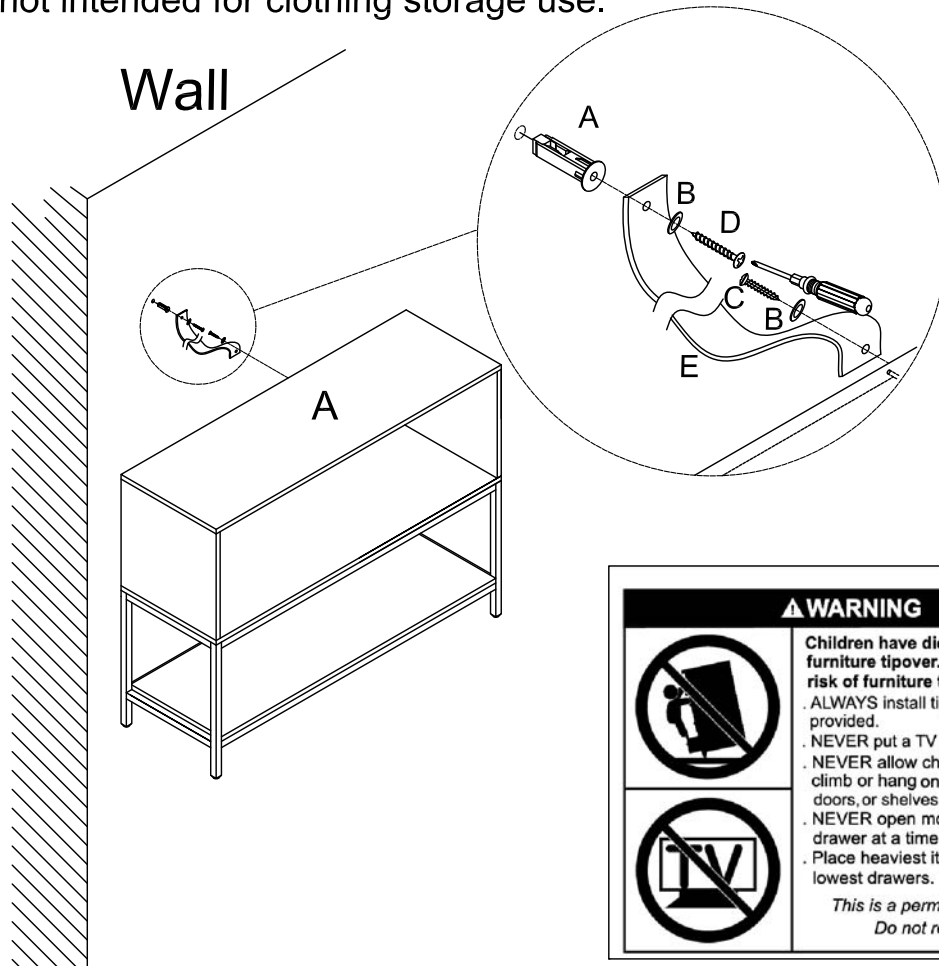
Note: It is highly recommended to install this safety strap kit to prevent tipping, damage and/or injury.

1. Insert short screw (C) through washer (B) and safety wall strap (E) and attach to top panel (part A) using phillips head screwdriver.

2. Drill a 11/32" hole where you want to secure the unit. The drilled hole will be at the same height as the hole in top panel (part A) where the safety wall strap (E) is attached. Tap wall anchor (A) into the hole.

3. Insert long screw (D) through washer (B) and safety wall strap (E) into wall anchor (A) using phillips head screwdriver.

Note: This item is not intended for clothing storage use.



⚠ WARNING	
	<p>Children have died from furniture tipover. To reduce the risk of furniture tipover:</p> <ul style="list-style-type: none"> • ALWAYS install tipover restraint provided. • NEVER put a TV on this product. • NEVER allow children to stand, climb or hang on drawers, doors, or shelves. • NEVER open more than one drawer at a time. • Place heaviest items in the lowest drawers.
	<p style="text-align: center;"><i>This is a permanent label. Do not remove!</i></p>