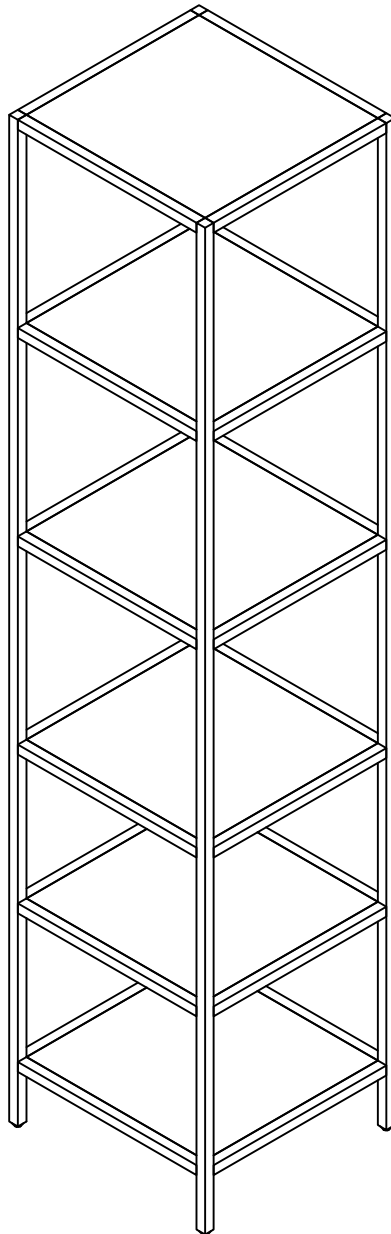
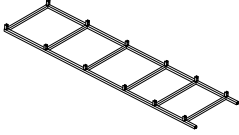

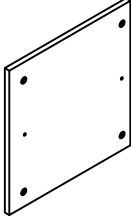
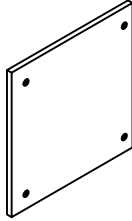




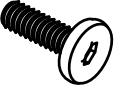
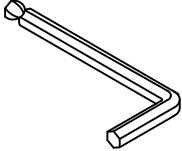
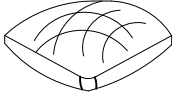
Narrow Etagere
CF1313



PART LIST

| | | | |
|---|---|---|---|
| <div data-bbox="118 143 159 188" style="border: 1px solid black; padding: 2px;">A</div>  | <div data-bbox="391 143 432 188" style="border: 1px solid black; padding: 2px;">B</div>  | <div data-bbox="671 143 713 188" style="border: 1px solid black; padding: 2px;">C</div>  | <div data-bbox="952 143 994 188" style="border: 1px solid black; padding: 2px;">D</div>  |
| <p style="text-align: center;">Side Panel</p> <p style="text-align: center;">2 PCS</p> | <p style="text-align: center;">Cross Rail</p> <p style="text-align: center;">12 PCS</p> | <p style="text-align: center;">Top Panel</p> <p style="text-align: center;">1 PC</p> | <p style="text-align: center;">Shelf</p> <p style="text-align: center;">5 PCS</p> |

HARDWARE LIST

| | | |
|---|---|---|
| <div data-bbox="118 987 181 1032" style="border: 1px solid black; padding: 2px;">#1</div>  <p style="text-align: center;">1/2"*Ø1/4"*D11</p> | <div data-bbox="391 987 454 1032" style="border: 1px solid black; padding: 2px;">#2</div>  | <div data-bbox="671 987 735 1032" style="border: 1px solid black; padding: 2px;">#3</div>  |
| <p style="text-align: center;">Bolt</p> <p style="text-align: center;">72 PCS (Extra 1)</p> | <p style="text-align: center;">Allen Wrench</p> <p style="text-align: center;">1 PC</p> | <p style="text-align: center;">Safety Strap Kit</p> <p style="text-align: center;">1 SET</p> |

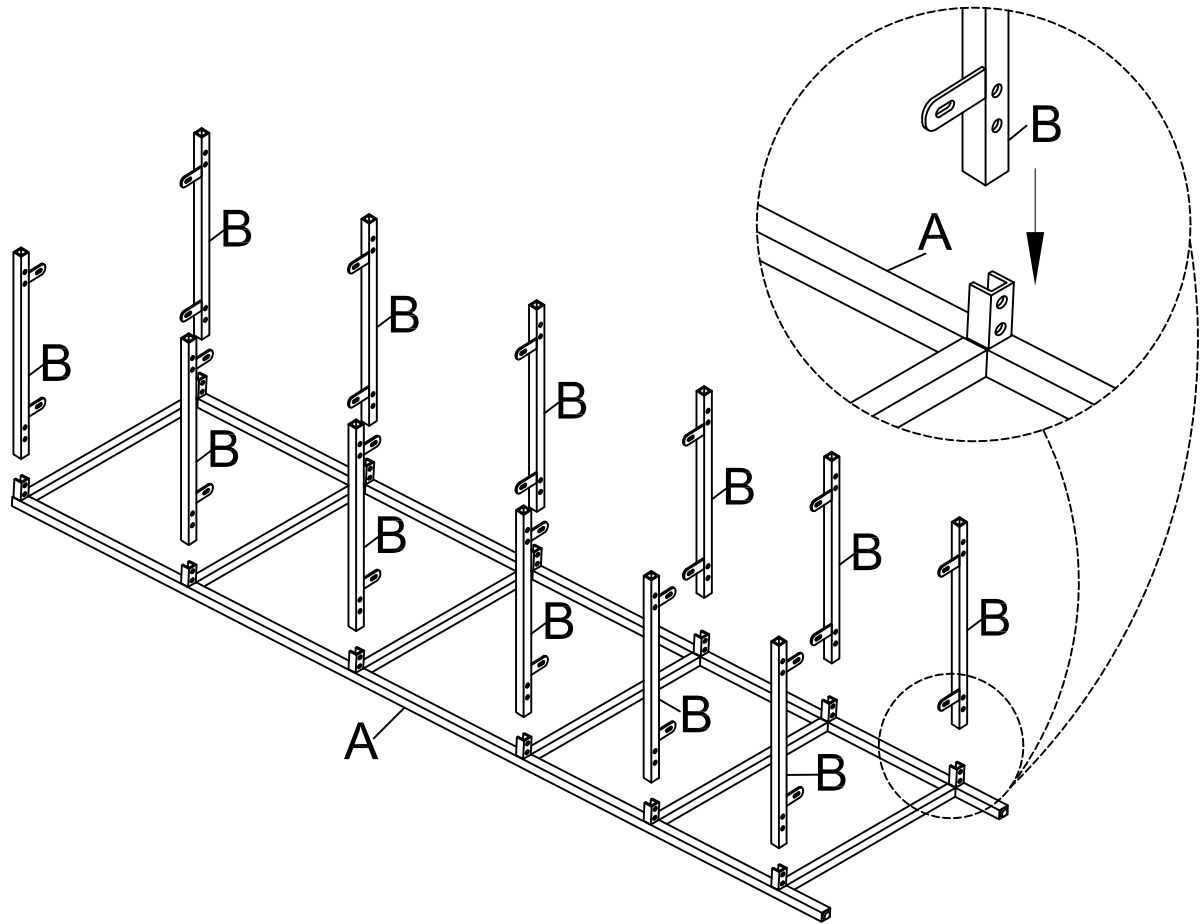
ADDITIONAL TOOLS (Not Provided)

Note: It is not recommended to use power tools during assembly.

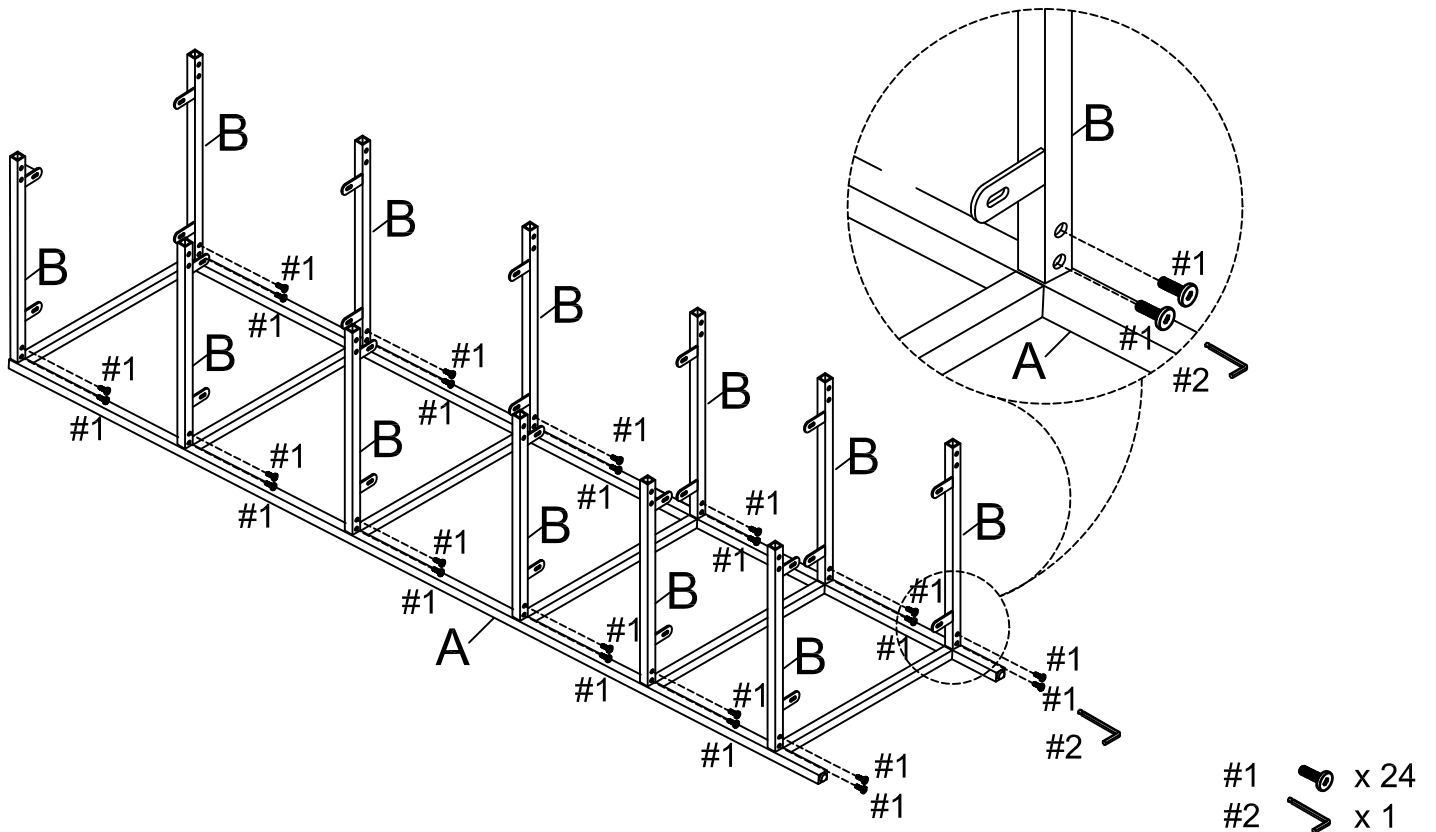


Phillips Head Screwdriver

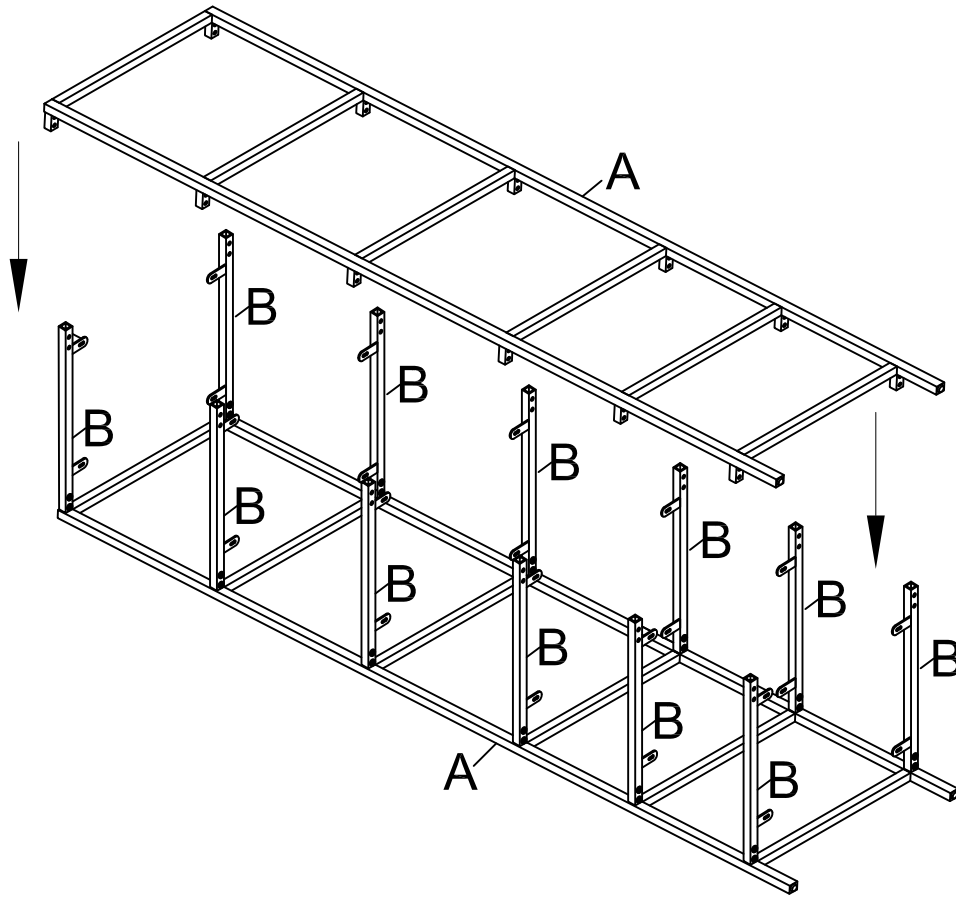
Step 1. Insert cross rails (part B) into side panel (part A).



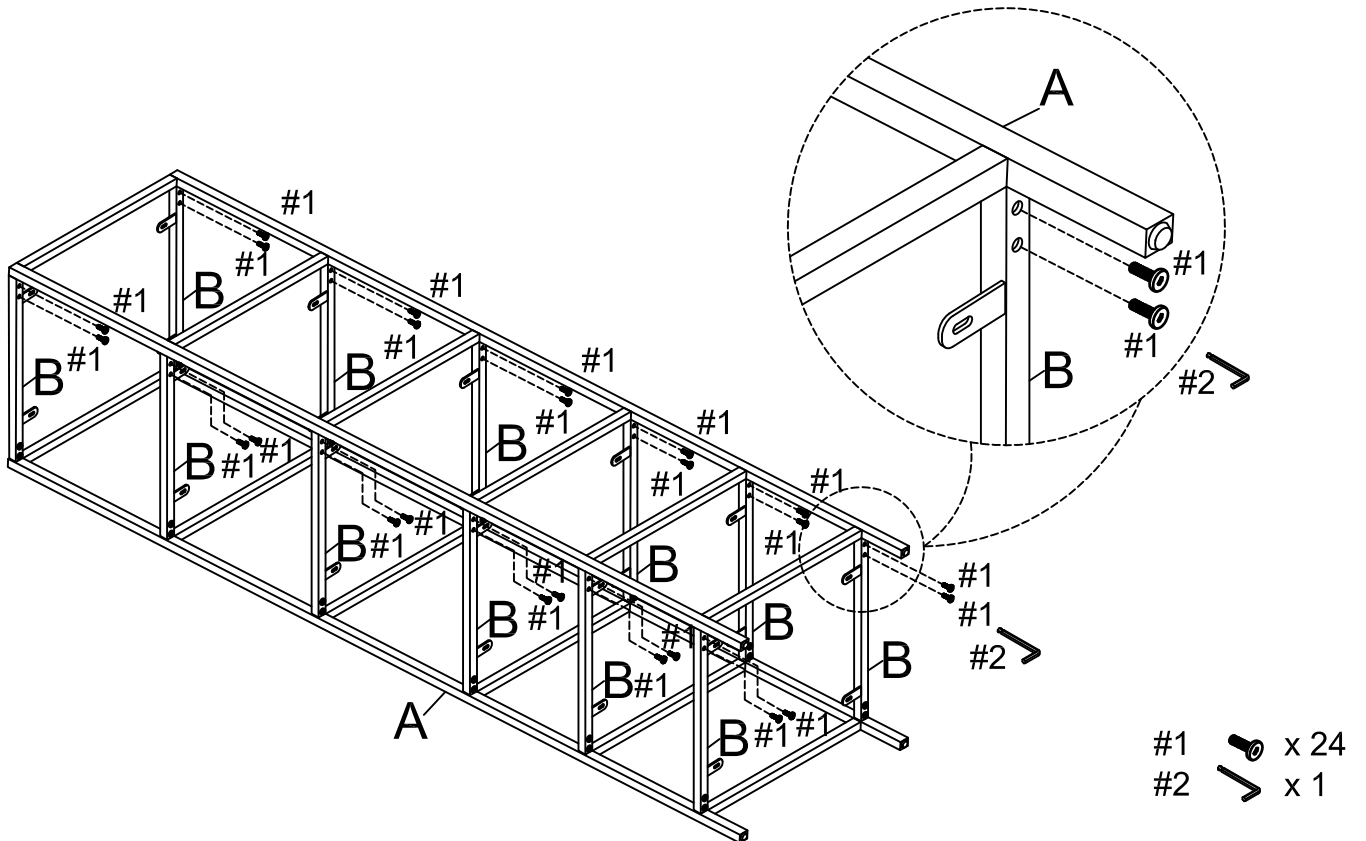
Step 2. Secure cross rails (part B) and side panel (part A) using bolts (part #1) and allen wrench (part #2).



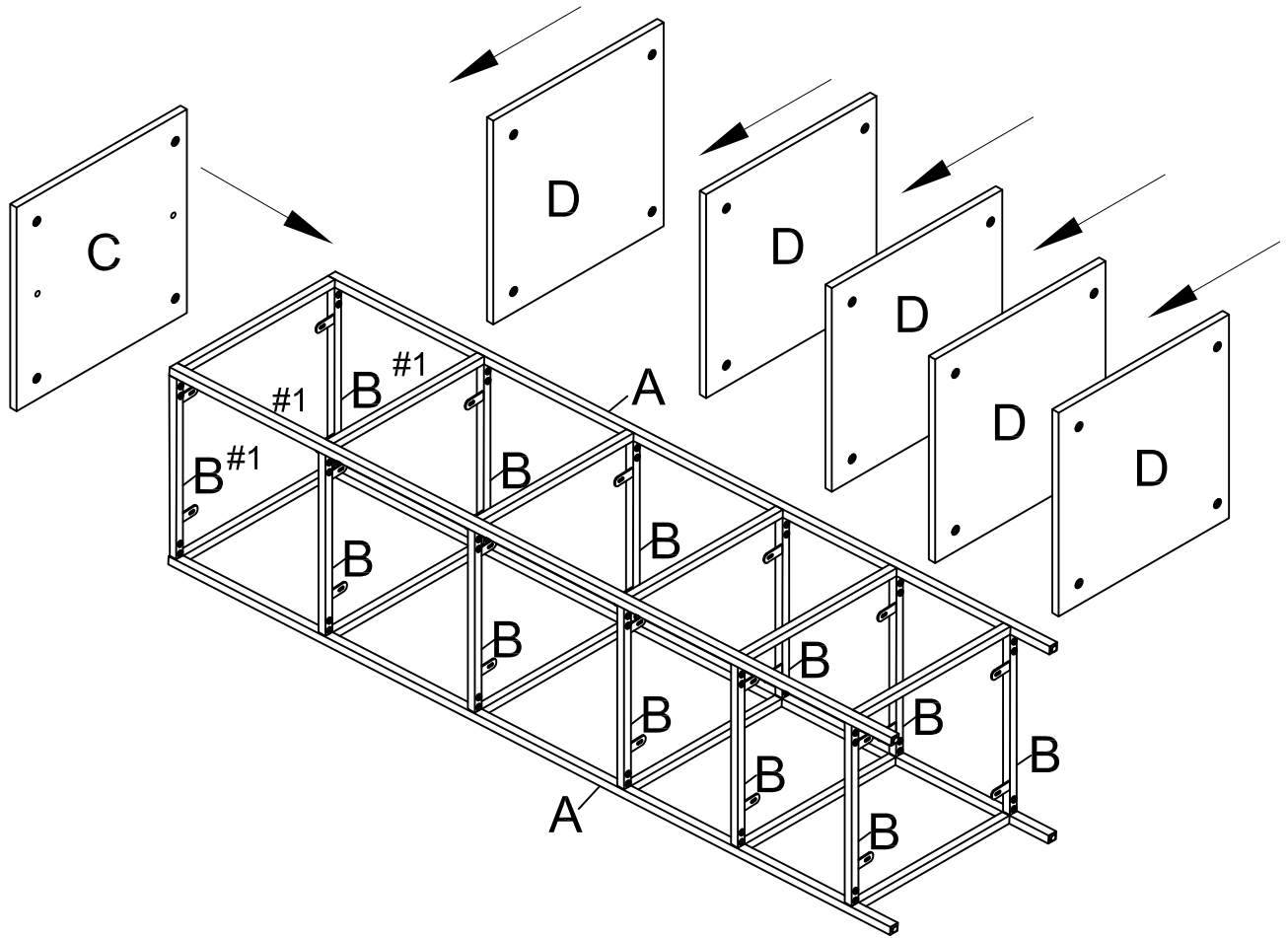
Step 3. Insert side panel (part A) into cross rails (part B).



Step 4. Secure the assembled unit (parts A & B) using bolts (part #1) and allen wrench (part #2).



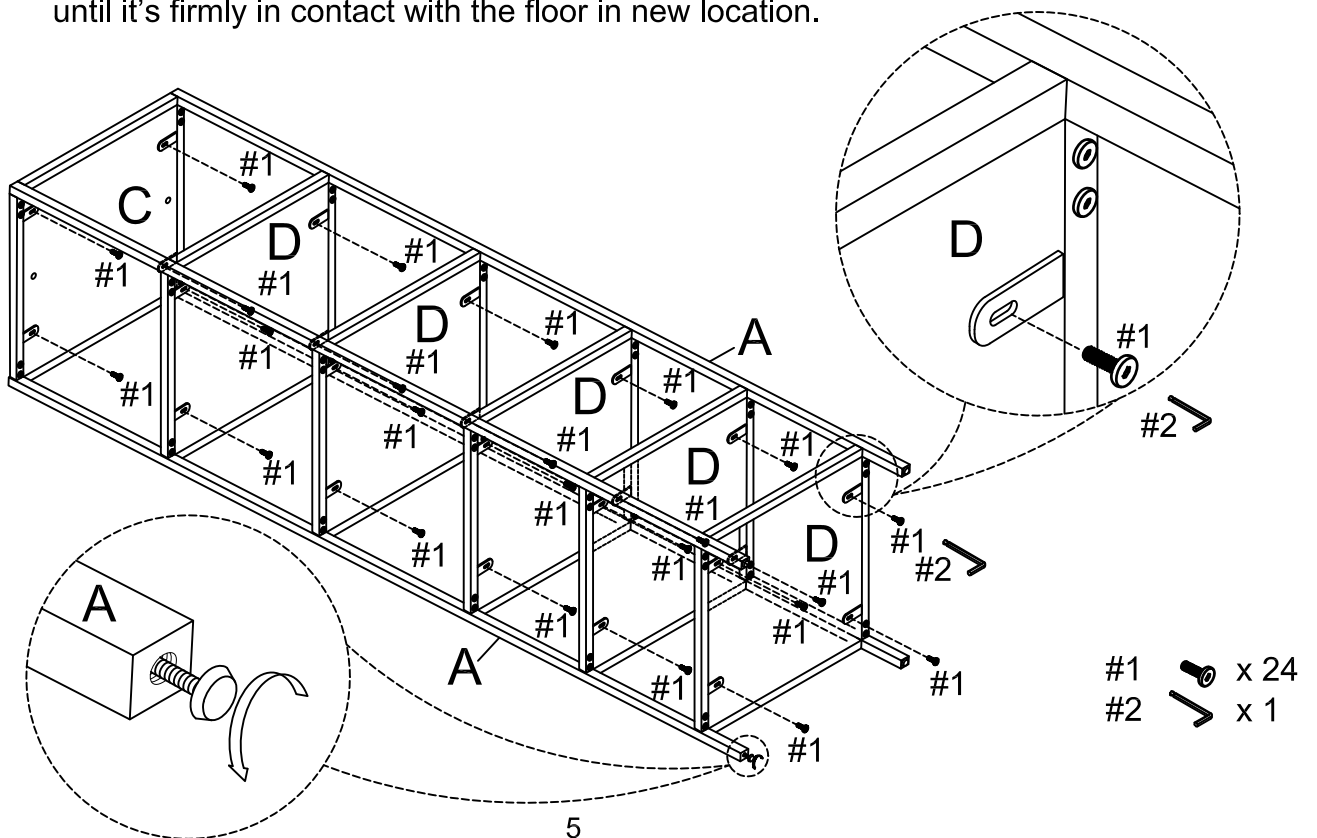
Step 5. Place top panel (part C) and shelves (part D) into assembled unit (parts A & B).


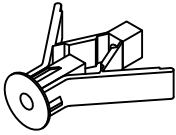



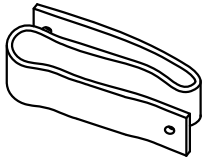


Step 6. Secure top panel (part C) and shelves (part D) using bolts (part #1) and allen wrench (part #2).

Important: Safety strap kit (part #3) must be installed to prevent tipping, damage and/or injury.

NOTE: It is important to adjust levelers once fully assembled and upright. Extend adjustable leveler until it's firmly in contact with the floor. If relocating, adjust leveler as needed until it's firmly in contact with the floor in new location.



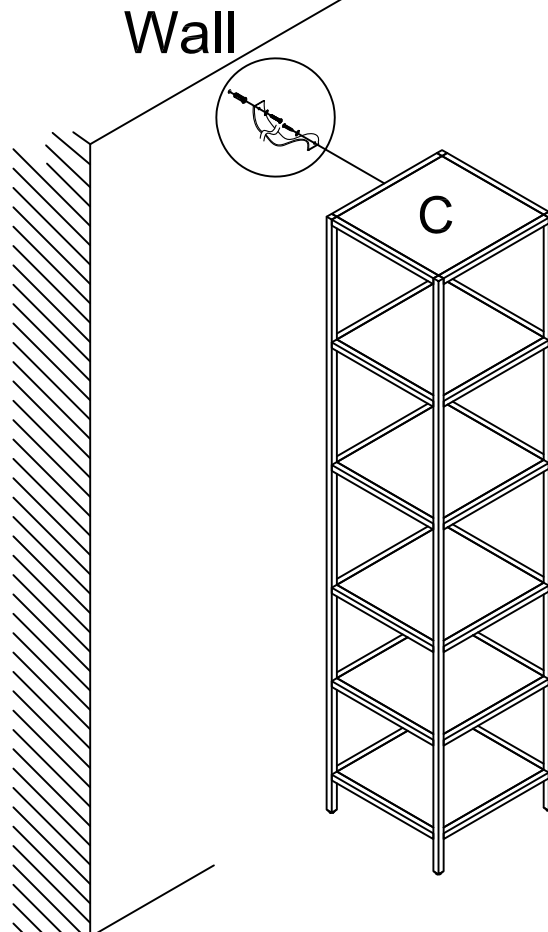
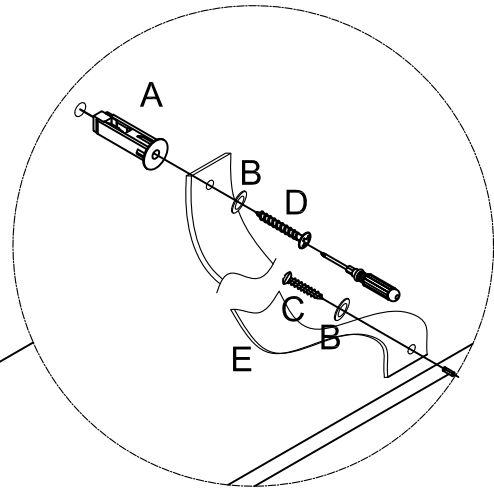
| | | | | | |
|--|---|---|--|---|---|
| #3 | A | B | C | D | E |
|  |  |  |  D8*3/4" |  D8*1-1/2" |  |
| Safety Strap Kit 1 SET | Wall Anchor 1 PC | Washer 2 PCS | Short Screw 1 PC | Long Screw 1 PC | Safety Wall Strap 1 PC |

SAFETY WALL STRAP INSTALLATION

Note: It is highly recommended to install this safety strap kit to prevent tipping, damage and/or injury.

1. Insert short screw (C) through washer (B) and safety wall strap (E) and attach to top panel (part C) using phillips head screwdriver.
2. Drill a 1 1/32" hole where you want to secure the unit. The drilled hole will be at the same height as the hole in top panel (part C) where safety wall strap (E) is attached. Tap wall anchor (A) into the hole.
3. Insert long screw (D) through washer (B) and safety wall strap (E) into wall anchor (A) using phillips head screwdriver.

Note: This item is not intended for clothing storage use.



⚠ WARNING




Children have died from furniture tipover. To reduce the risk of furniture tipover:

- ALWAYS install tipover restraint provided.
- NEVER put a TV on this product.
- NEVER allow children to stand, climb or hang on drawers, doors, or shelves.
- NEVER open more than one drawer at a time.
- Place heaviest items in the lowest drawers.

This is a permanent label. Do not remove!