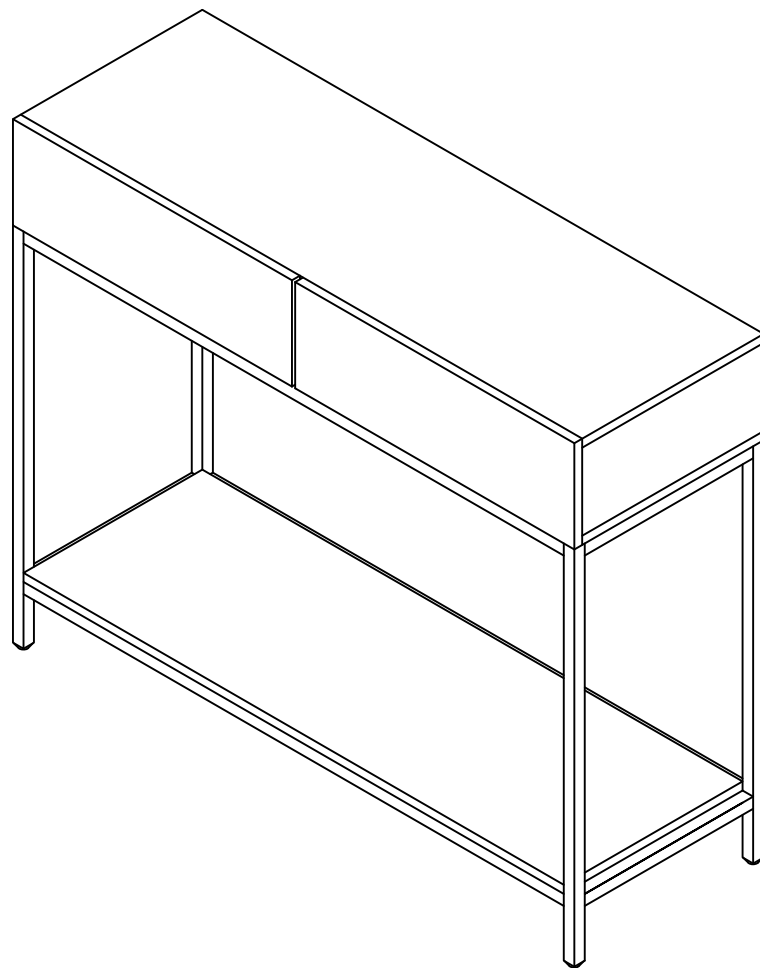
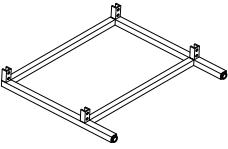
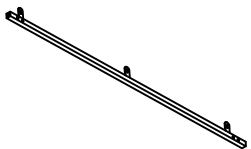
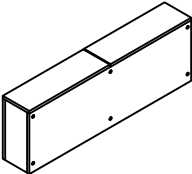
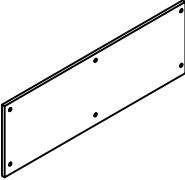




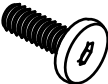
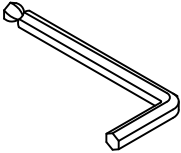

Console Table
CF1311



PART LIST

<div data-bbox="113 136 161 192" style="border: 1px solid black; padding: 2px; text-align: center;">A</div> 	<div data-bbox="395 136 443 192" style="border: 1px solid black; padding: 2px; text-align: center;">B</div> 	<div data-bbox="678 136 726 192" style="border: 1px solid black; padding: 2px; text-align: center;">C</div> 	<div data-bbox="960 136 1008 192" style="border: 1px solid black; padding: 2px; text-align: center;">D</div> 
<p style="text-align: center;">Side Frame</p> <p style="text-align: center;">2 PCS</p>	<p style="text-align: center;">Cross Rail</p> <p style="text-align: center;">4 PCS</p>	<p style="text-align: center;">Top</p> <p style="text-align: center;">1 PC</p>	<p style="text-align: center;">Bottom Panel</p> <p style="text-align: center;">1 PC</p>

HARDWARE LIST

<div data-bbox="113 987 177 1043" style="border: 1px solid black; padding: 2px; text-align: center;">#1</div>  <p style="text-align: center;">1/2"*Ø1/4"*D11</p>	<div data-bbox="395 987 459 1043" style="border: 1px solid black; padding: 2px; text-align: center;">#2</div> 	<div data-bbox="678 987 742 1043" style="border: 1px solid black; padding: 2px; text-align: center;">#3</div> 
<p style="text-align: center;">Bolt</p> <p style="text-align: center;">28 PCS (Extra 1)</p>	<p style="text-align: center;">Allen Wrench</p> <p style="text-align: center;">1 PC</p>	<p style="text-align: center;">Safety Strap Kit</p> <p style="text-align: center;">1 SET</p>

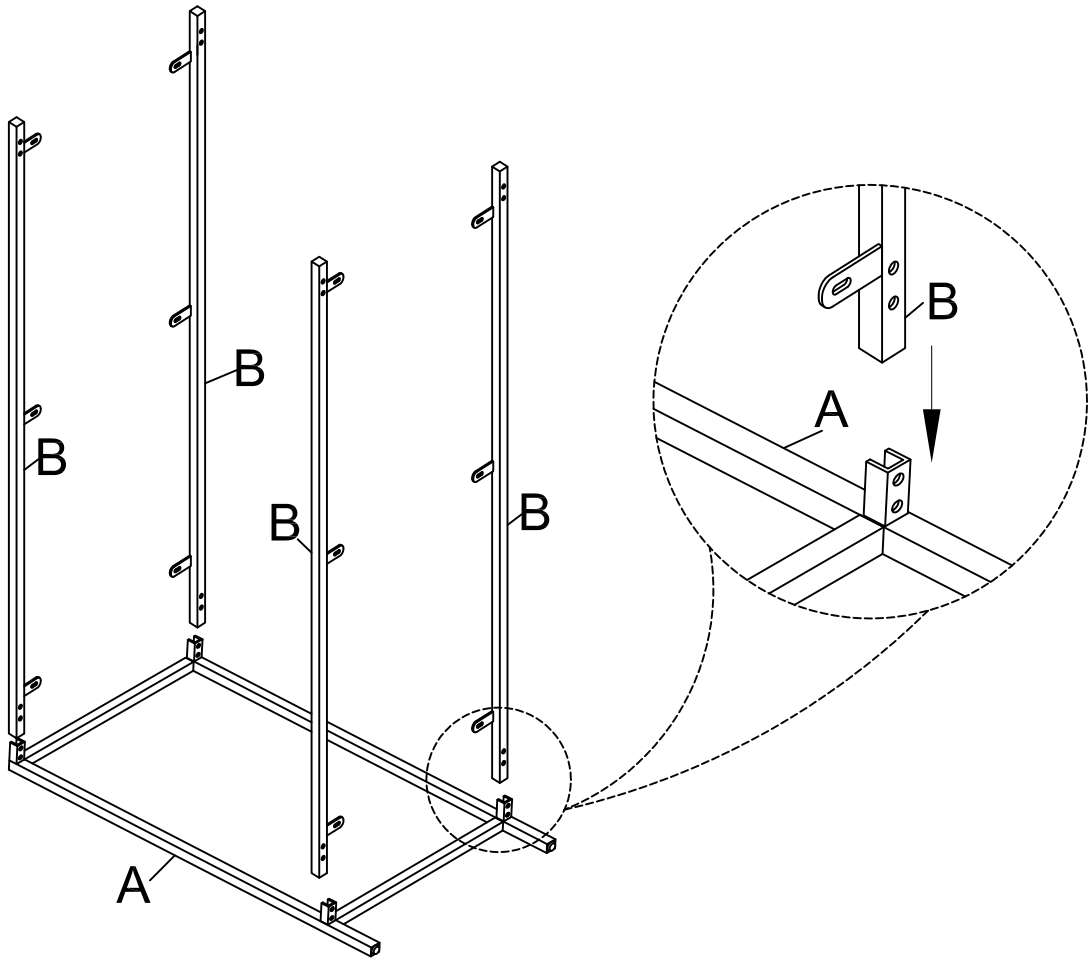
ADDITIONAL TOOLS (Not Provided)

Note: It is not recommended to use power tools during assembly.

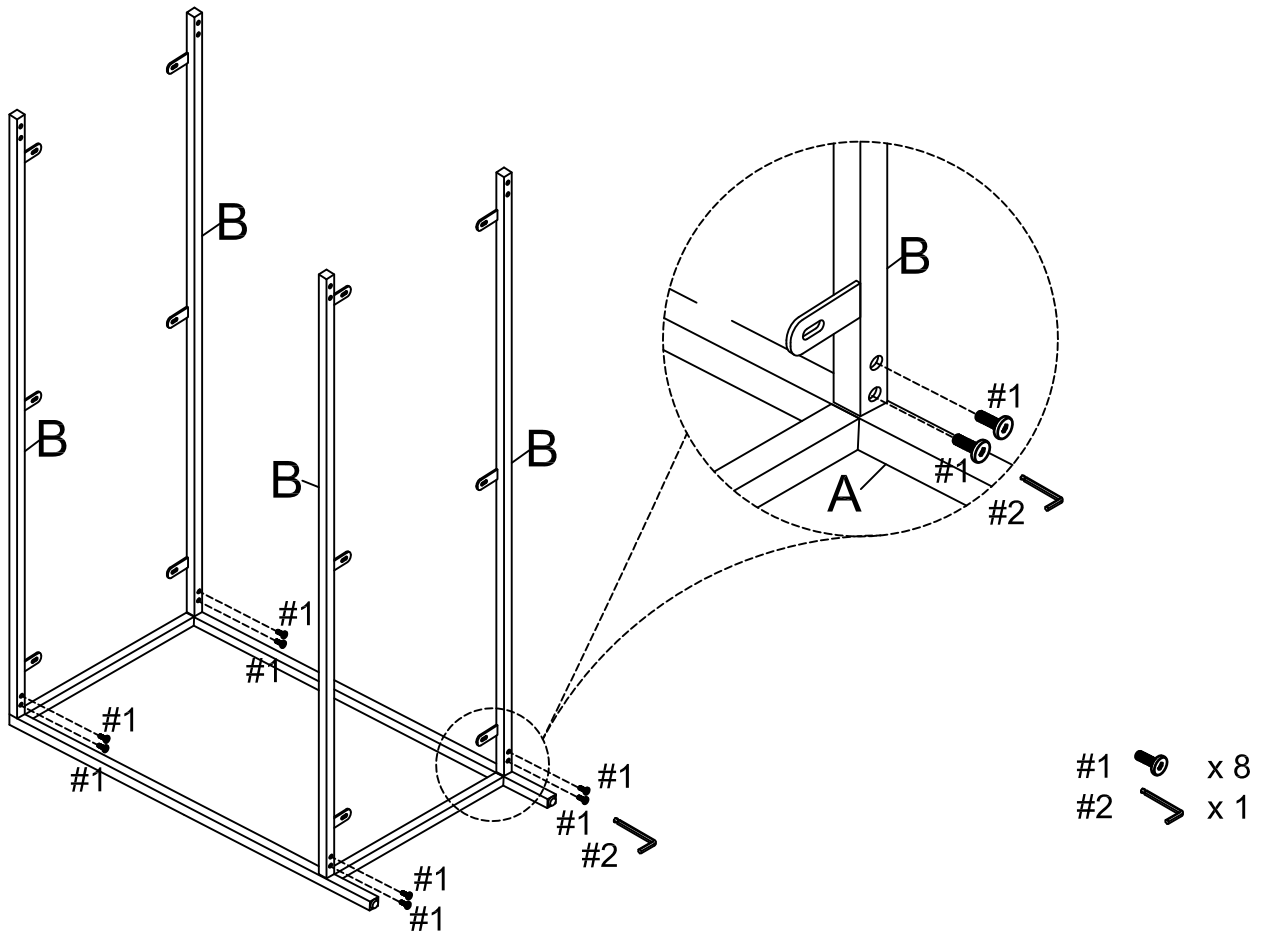


Phillips Head Screwdriver

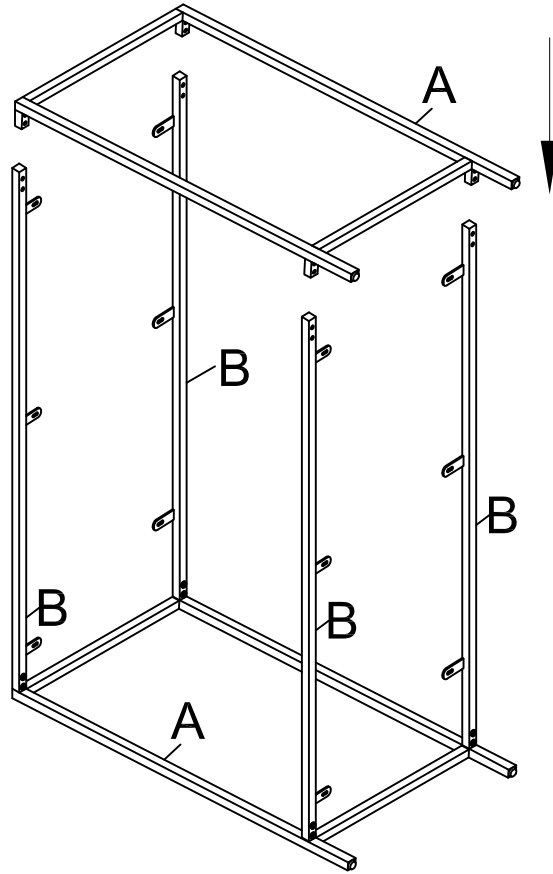
Step 1. Insert cross rails (part B) into side frame (part A).



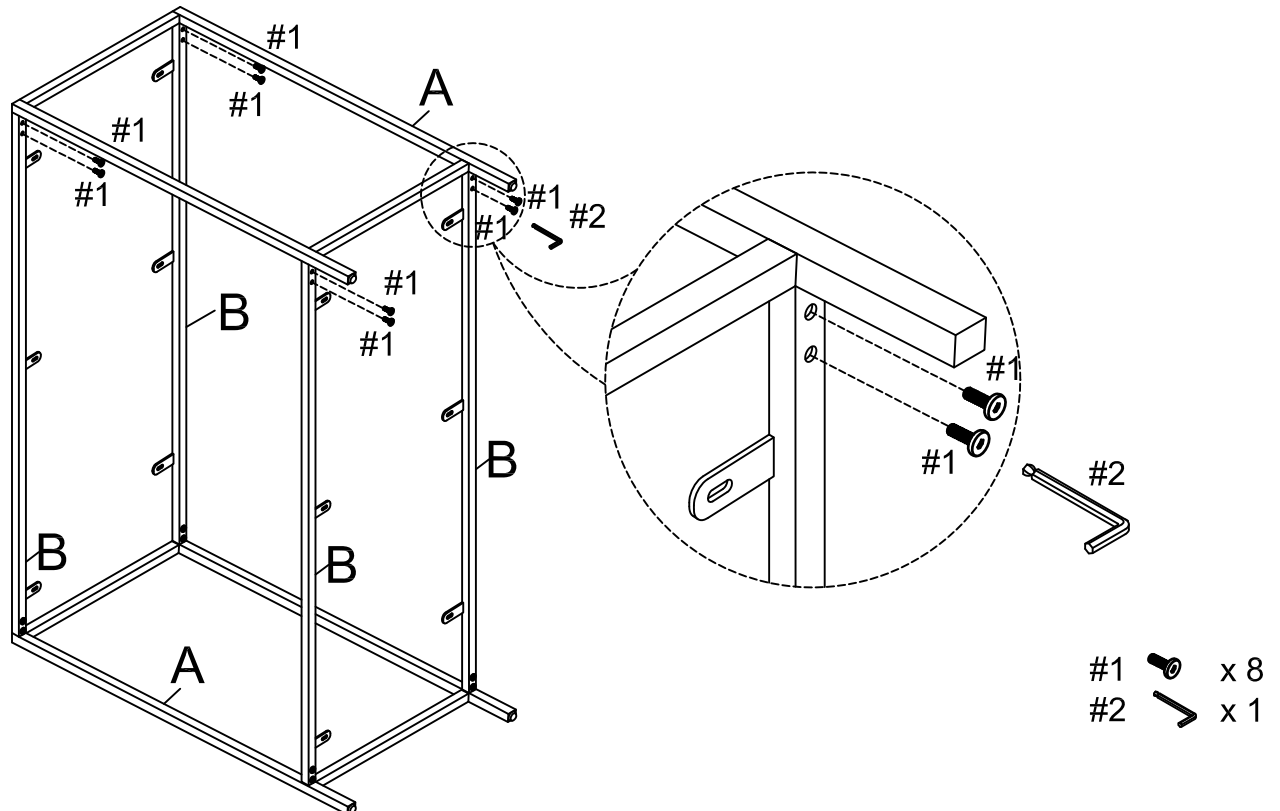
Step 2. Secure cross rails (part B) and side frame (part A) using bolts (part #1) and allen wrench (part #2).



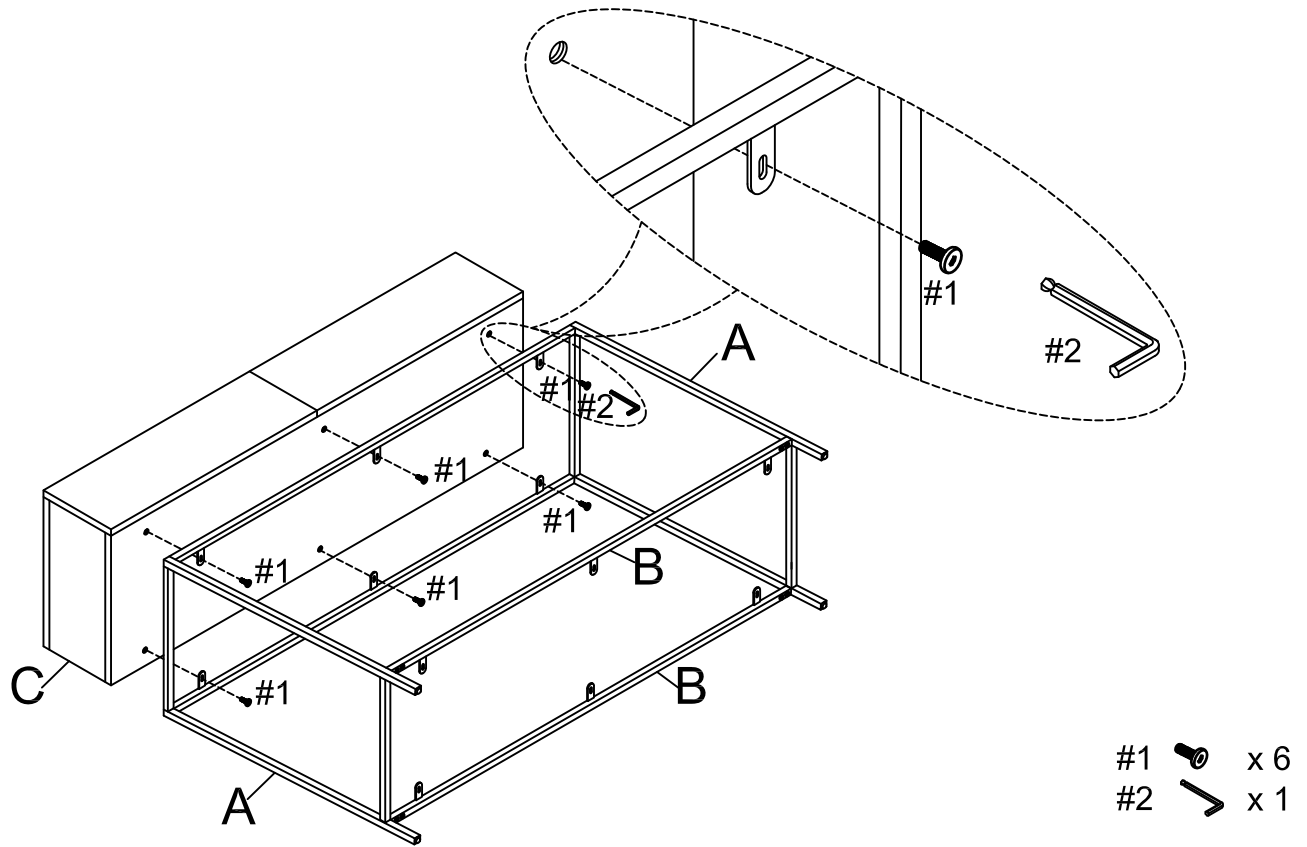
Step 3. Insert side frame (part A) into cross rails (parts B).



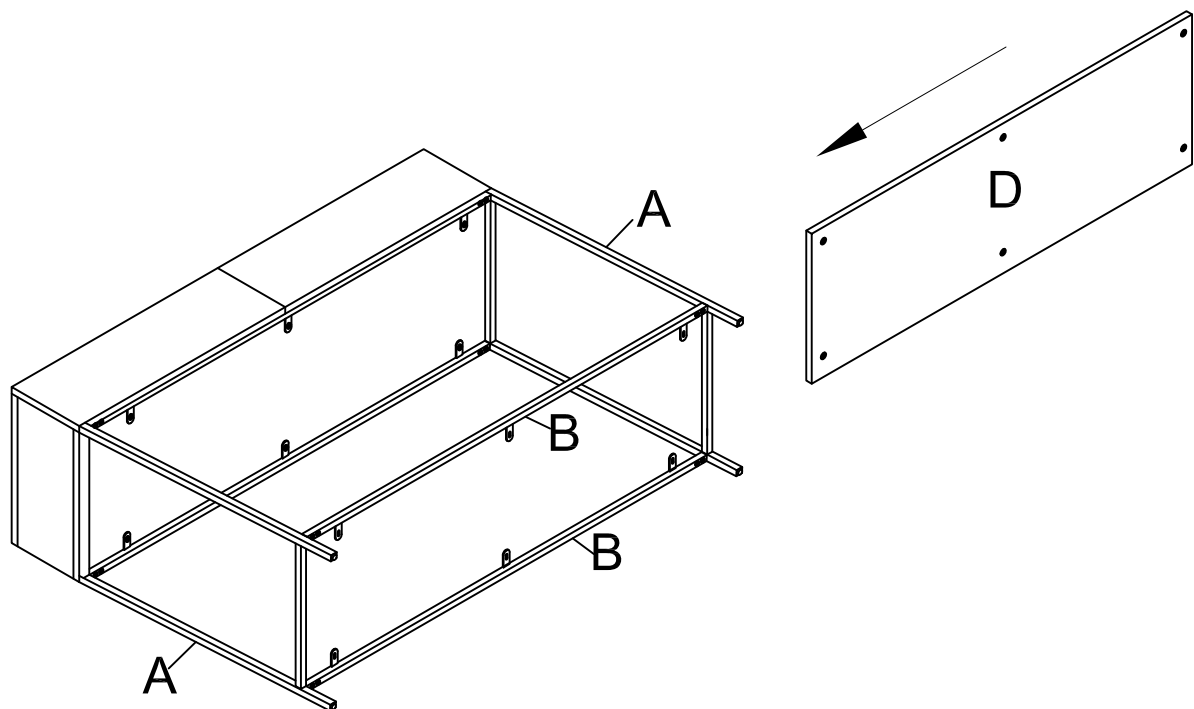
Step 4. Secure the assembled unit (parts A & B) using bolts (part #1) and allen wrench (part #2).



Step 5. Secure assembled unit (parts A & B) to top (part C) using bolts (part #1) and allen wrench (part #2).



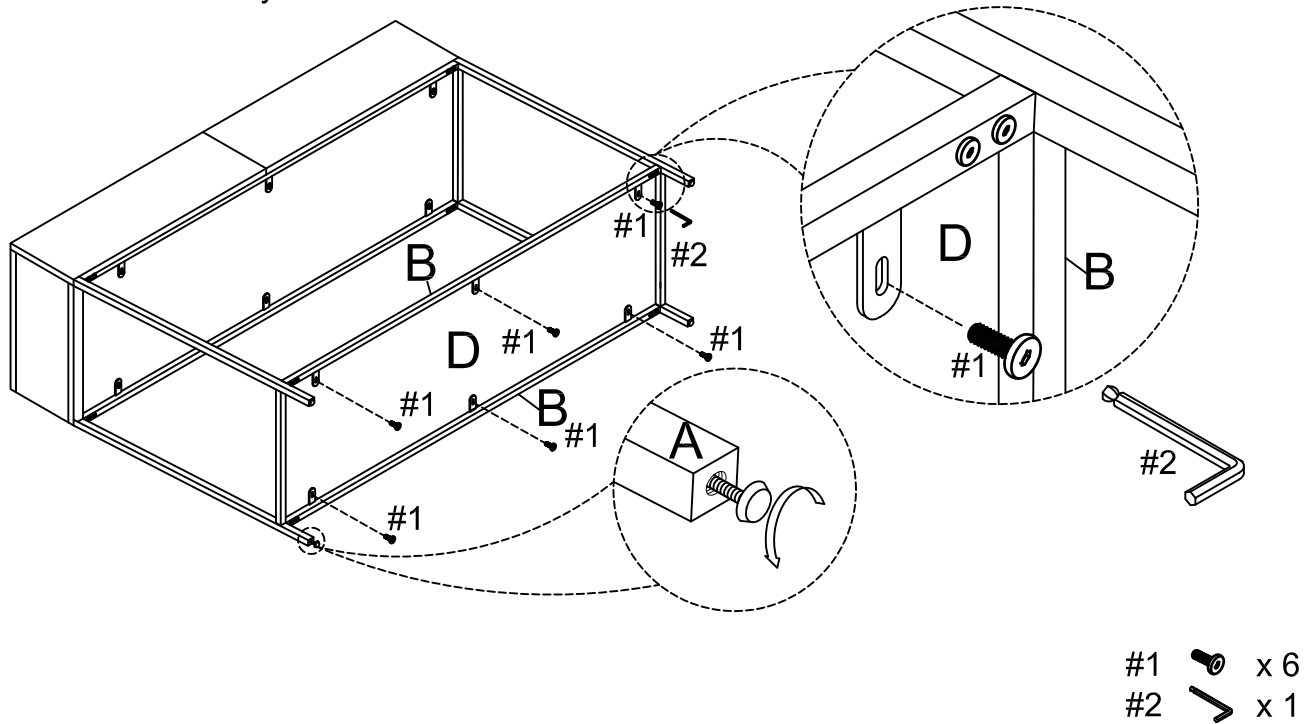
Step 6. Put bottom panel (part D) onto cross rails (part B).


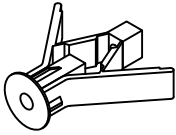



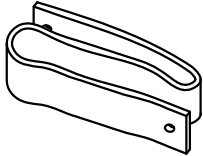


Step 7. Secure bottom panel (part D) and cross rails (part B) using bolts (part #1) and allen wrench (part #2).

Important: Safety strap kit (part #3) must be installed to prevent tipping, damage and/or injury.

NOTE: It is important to adjust levelers once fully assembled and upright. Extend adjustable leveler until it's firmly in contact with the floor. If relocating, adjust leveler as needed until it's firmly in contact with the floor in new location.



#3	A	B	C	D	E
			 D8*3/4"	 D8*1-1/2"	
Safety Strap Kit 1 SET	Wall Anchor 1 PC	Washer 2 PCS	Short Screw 1 PC	Long Screw 1 PC	Safety Wall Strap 1 PC

SAFETY WALL STRAP INSTALLATION

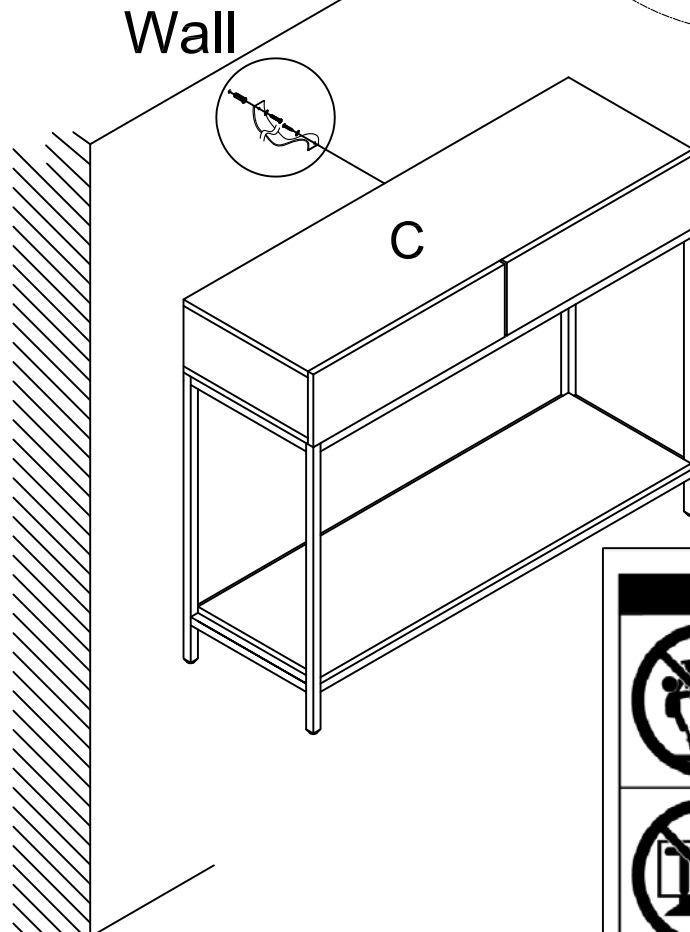
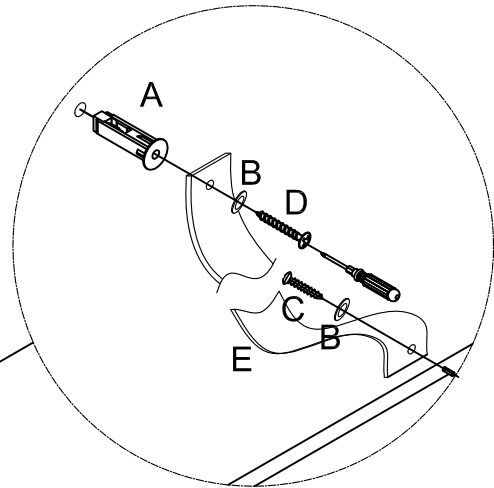
Note: It is highly recommended to install this safety strap kit to prevent tipping, damage and/or injury.

1. Insert short screw (C) through washer (B) and safety wall strap (E) and attach to top (part C) using phillips head screwdriver.

2. Drill a 11/32" hole where you want to secure the unit. The drilled hole will be at the same height as the hole in top (part C) where safety wall strap (E) is attached. Tap wall anchor (A) into the hole.

3. Insert long screw (D) through washer (B) and safety wall strap (E) into wall anchor (A) using phillips head screwdriver.

Note: This item is not intended for clothing storage use.



▲ WARNING	
	<p>Children have died from furniture tipover. To reduce the risk of furniture tipover:</p> <ul style="list-style-type: none"> ALWAYS install tipover restraint provided. NEVER put a TV on this product. NEVER allow children to stand, climb or hang on drawers, doors, or shelves. NEVER open more than one drawer at a time. Place heaviest items in the lowest drawers.
	<p><i>This is a permanent label. Do not remove!</i></p>