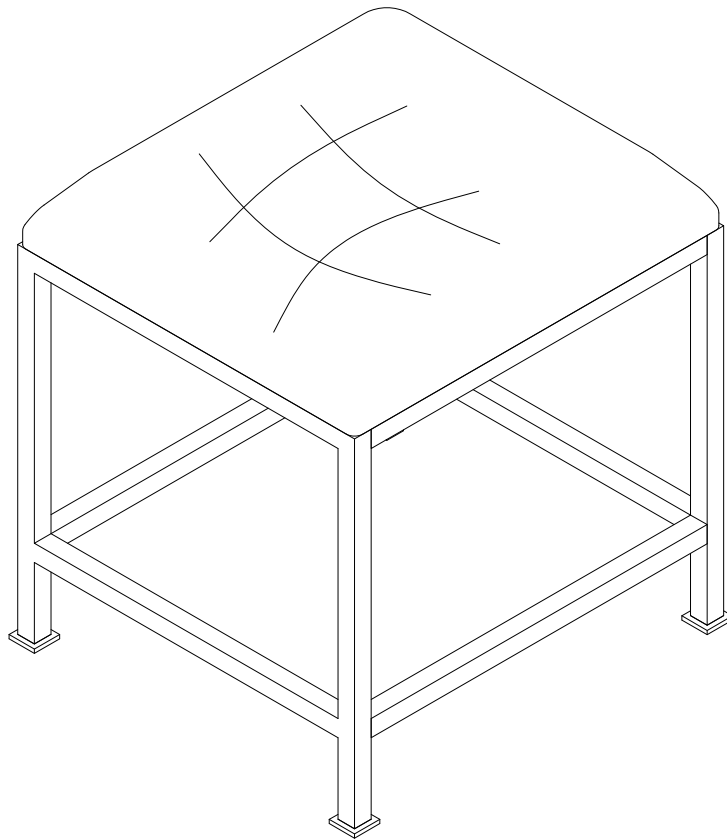
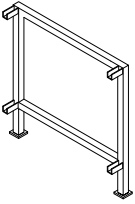
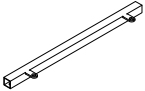
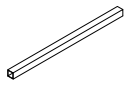
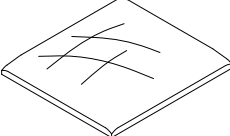




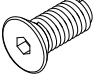
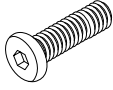

Vanity Stool
CF1310



PART LIST

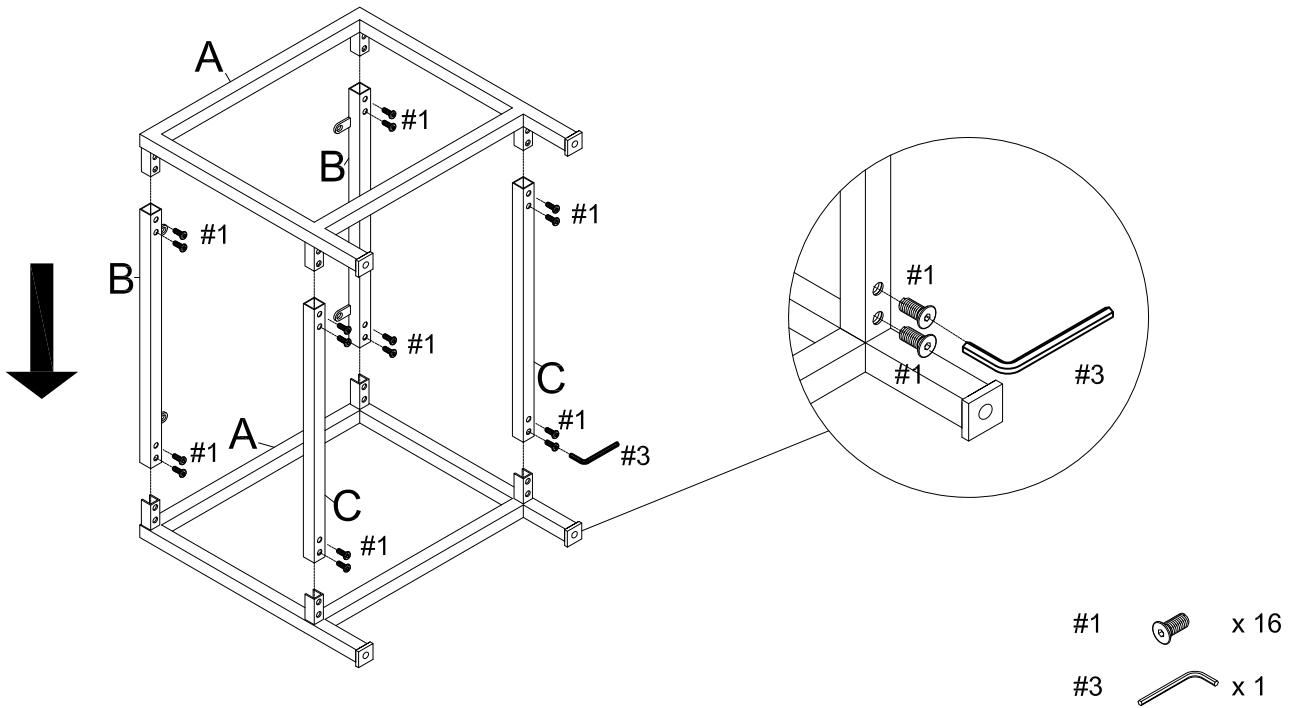
<p>A</p> 	<p>B</p> 	<p>C</p> 	<p>D</p> 
<p>Side Frame 2 PCS</p>	<p>Top Rail 2 PCS</p>	<p>Bottom Rail 2 PCS</p>	<p>Cushion 1 PC</p>

HARDWARE LIST

<p>#1</p>  <p>1/4" x 1/2"</p>	<p>#2</p>  <p>1/4" x 5/8"</p>	<p>#3</p> 
<p>Sunk Bolt 16 PCS (Extra 1)</p>	<p>Bolt 4 PCS (Extra 1)</p>	<p>Allen Wrench 1 PC</p>

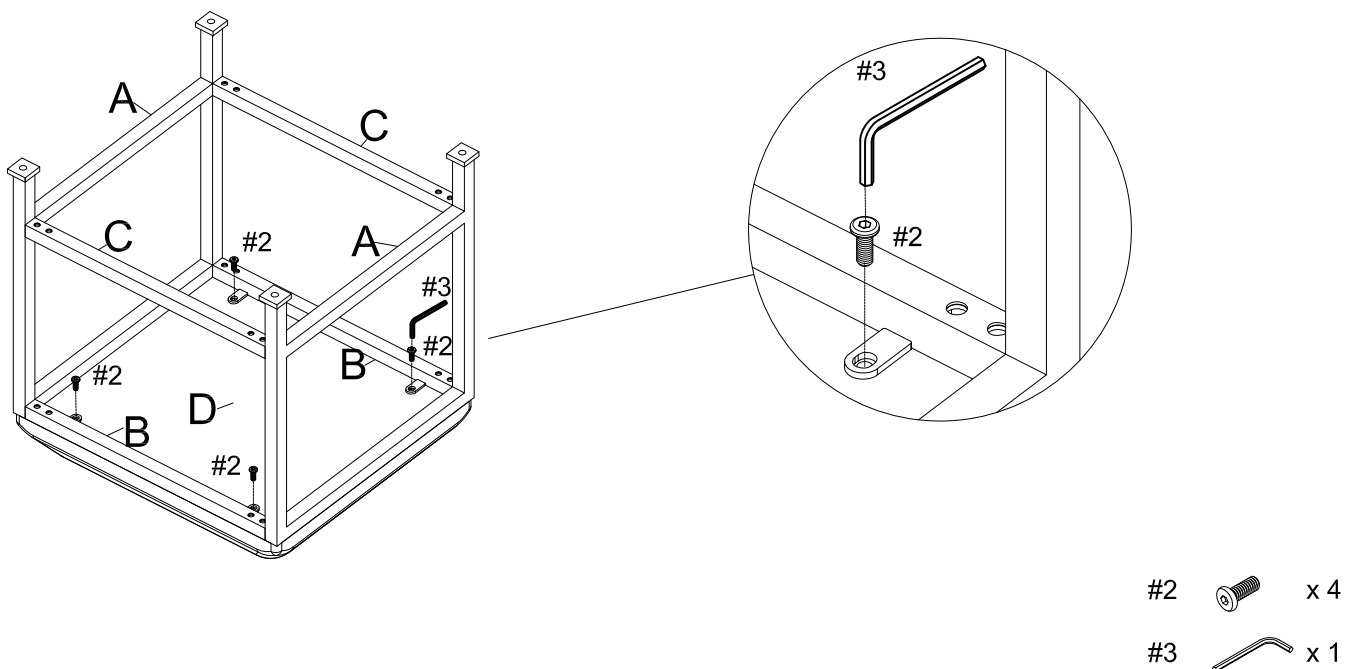
Step 1. Insert top rails (part B) and bottom rails (part C) into side frames (part A) using sunk bolts (part #1) and allen wrench (part #3).

Note: Please fully tighten bolts at this time.



Step 2. Carefully lay cushion (part D) upside down on a flat, soft surface, such as carpet. Attach assembled unit (parts A, B & C) to cushion (part D) using bolts (part #2) and allen wrench (part #3).

Note: Please fully tighten bolts at this time.



Step 3. Carefully turn unit upright.

