

Assembly Instruction
Item# 618-2X
Solid Wood 2-tier Folding
Laptop Working Desk

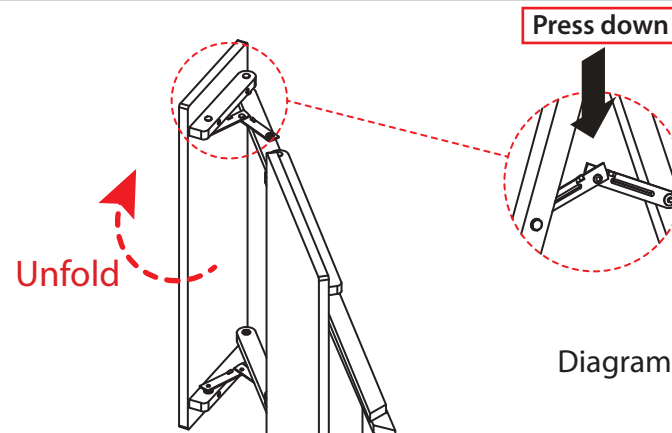
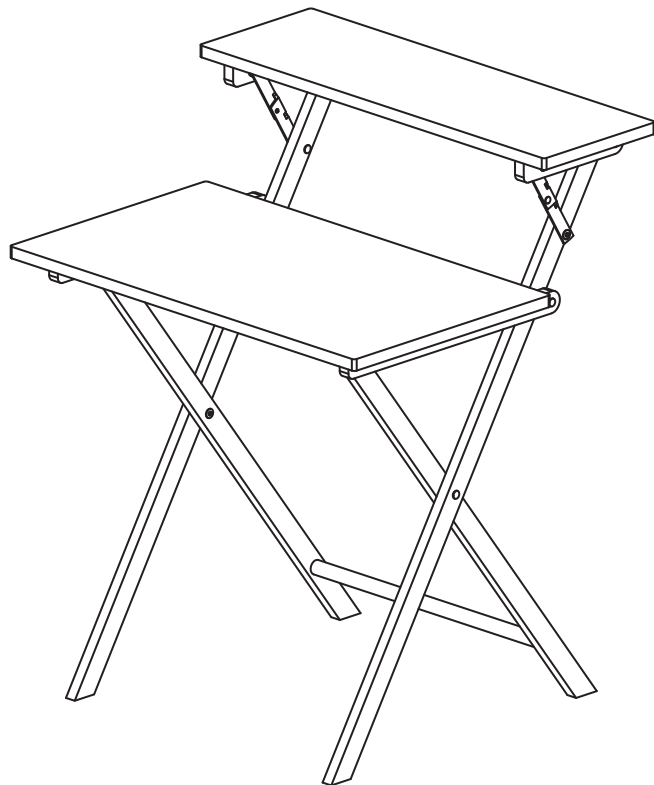


Diagram 1.

Step 1.
Position the desk on its side, leaning it against the floor. Next, unfold the top shelf and press down on both sides of the hinges underneath to lock them, as shown in diagram 1.

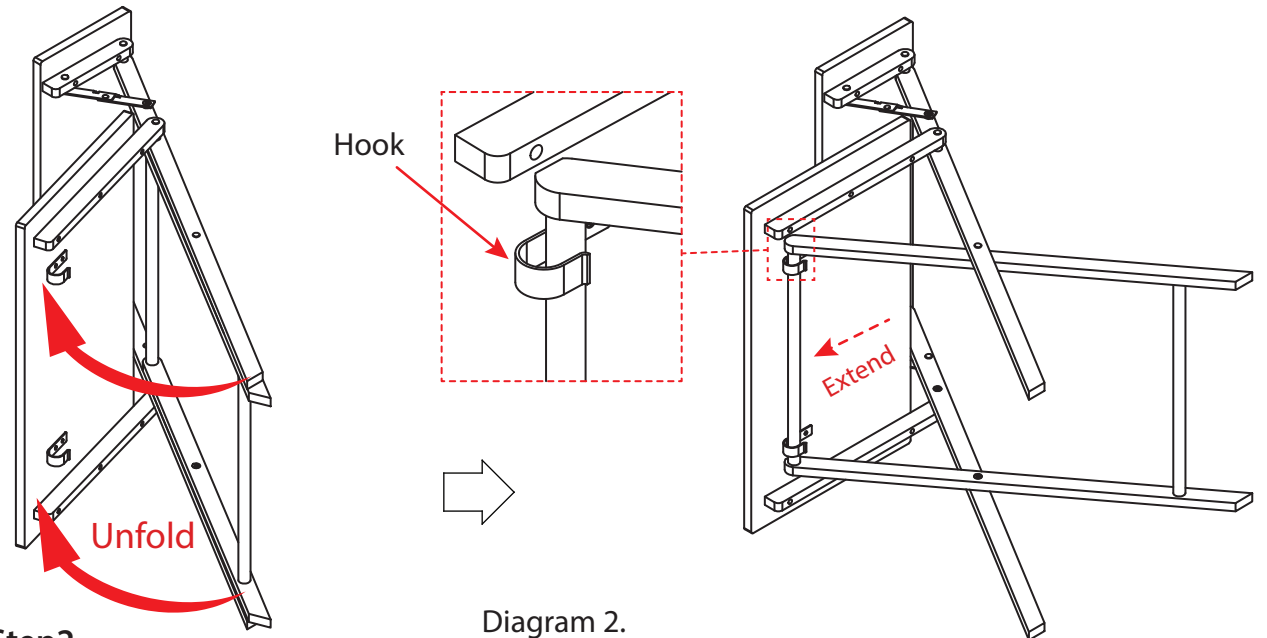


Diagram 2.

Step2.
Unfold the tabletop and extend the leg until it locks into place. Secure the leg using the pre-installed hooks located underneath the tabletop, as shown in diagram 2.