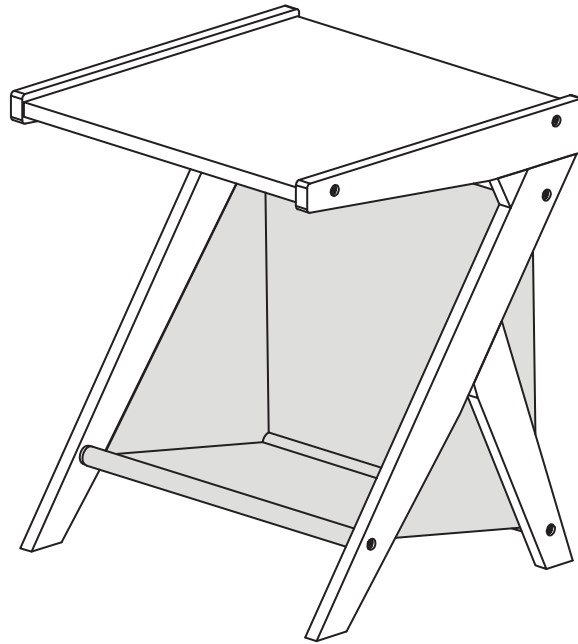
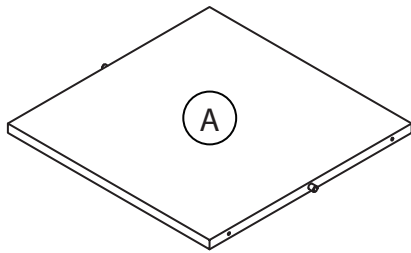


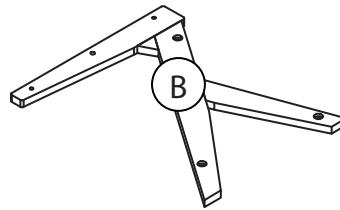
Assembly Instruction
Item# 541-0X
Casual Home Z-Shaped Sofa Side Table
with Canvas Storage Basket



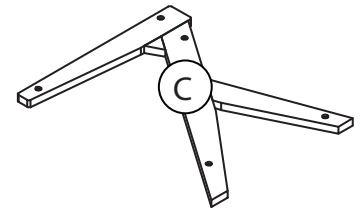
PART LIST



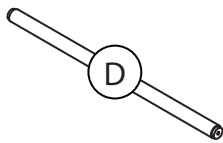
A
Table Top
1 pc.



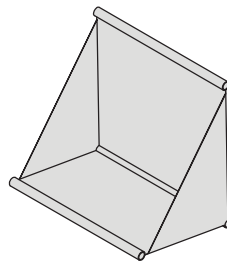
B
Left Panel
1 pc.



C
Right Panel
1 pc.

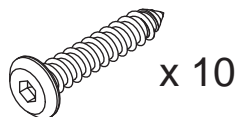


D
Round Wood
3 pcs.

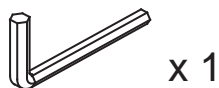


E
Canvas Storage Basket
1 pc.

HARDWARE



RF10003
Screw JCA 1/4" x 32



RF40015
Alen Wrench

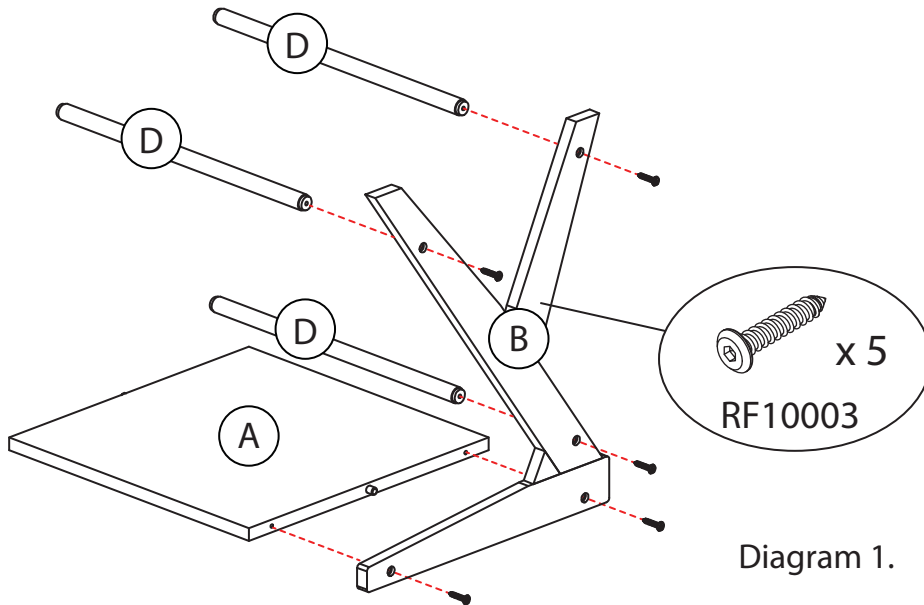


Diagram 1.

Step 1.

Attach Table Top (A) and 3 Round Woods (D) into the Left Panel (B) by using 5 Screws (RF10003) as per diagram 1.

Step 2.

Place the Basket (E) into the Round Wood (D) as per diagram 2.

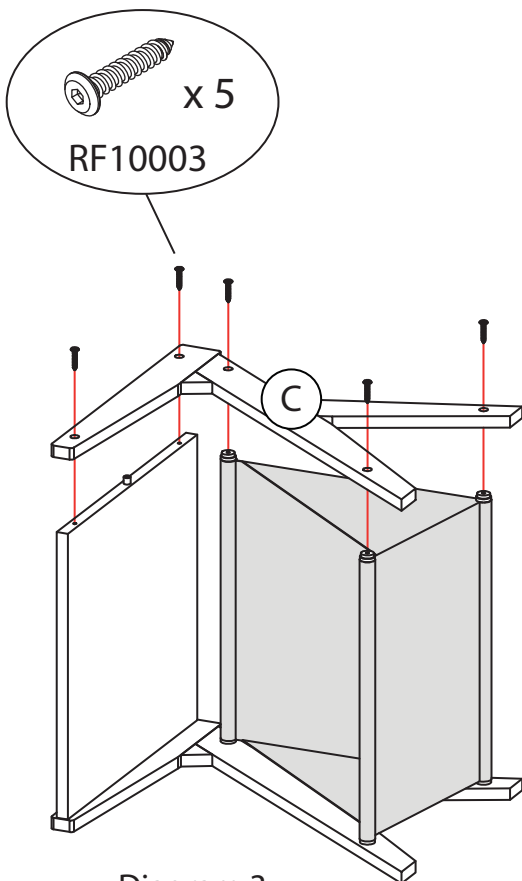


Diagram 3.

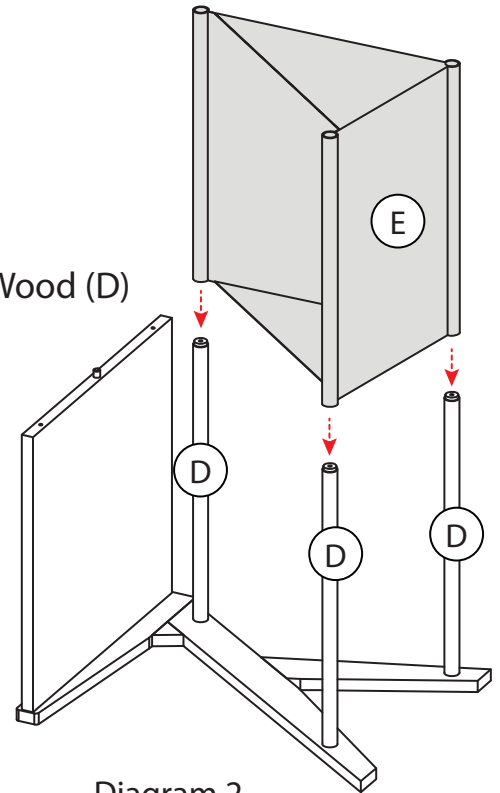


Diagram 2.

Step 3.

Attach Right Panel (C) into the unit by using Screws (RF10003) as per diagram 3.