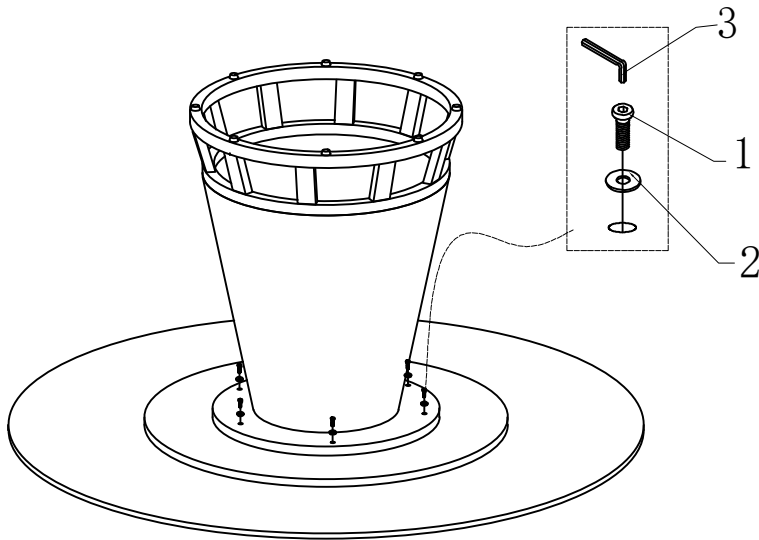
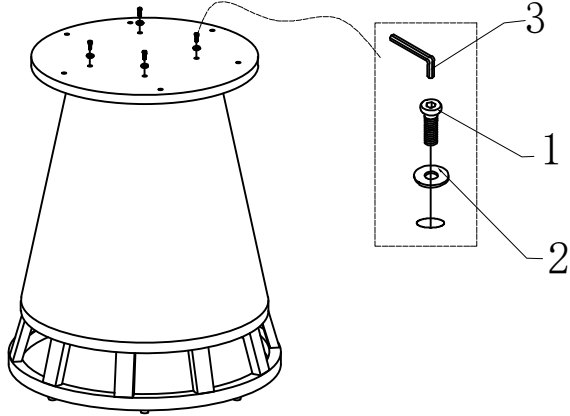




THANK YOU FOR PURCHASING THIS QUALITY PRODUCT. BE SURE TO CHECK ALL PACKING MATERIAL CAREFULLY FOR SMALL PARTS THAT MAY HAVE COME LOOSE INSIDE THE CARTON DURING TRANSIT.



PART LIST

NO	DESC	SIZE (MM)	SKETCH	QTY
A		1400X1400X25		1PC
B		545X545X554		1PC
C		500X500X18		1PC

HARDWARE LIST

NO	DESC	SIZE(MM)	SKETCH	QTY
1	BOLT	M8x35		10PCS
2	FLAT WASHER	ø8.3		10PCS
3	SPANNER	5MM		1PC
4				
5				
6				

