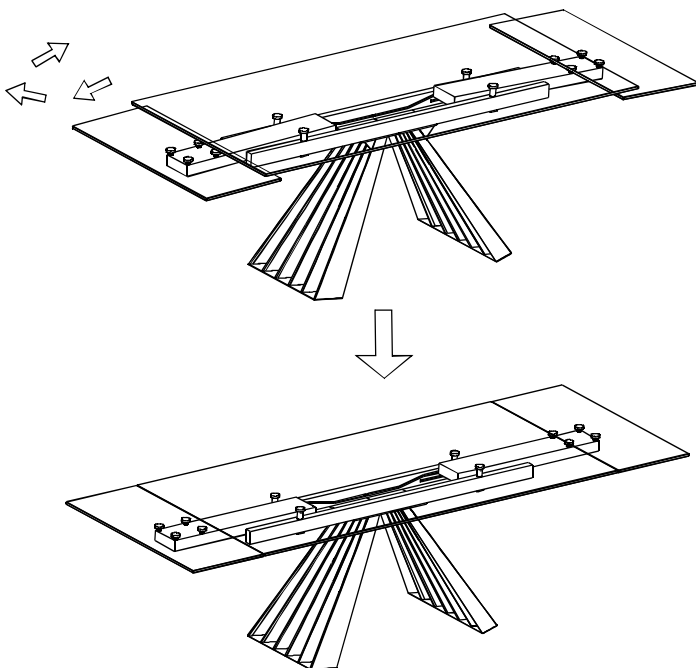
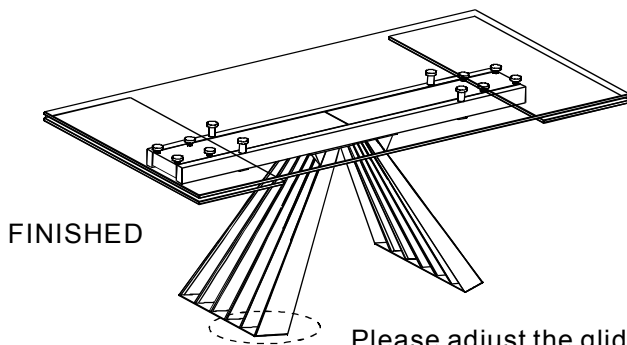
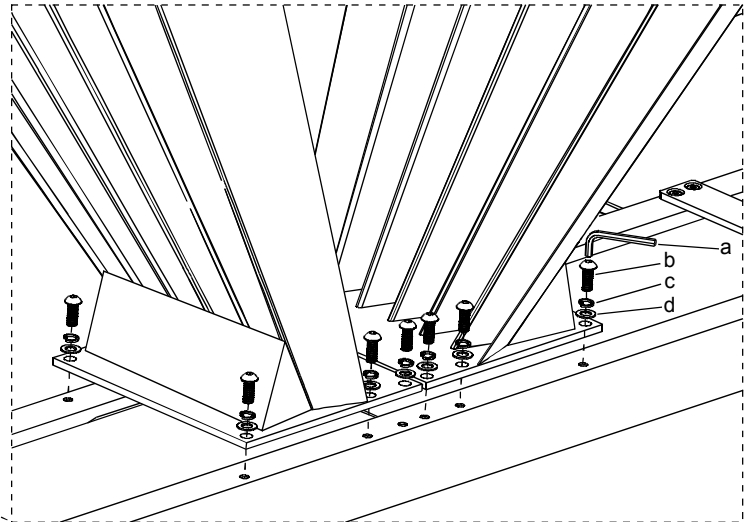
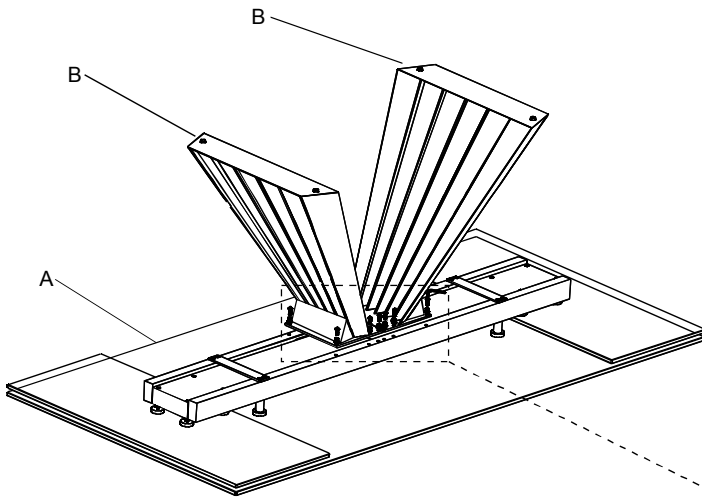




ASSEMBLY INSTRUCTION
ITEM NO.:DINING TABLE

THANK YOU FOR PURCHASING THIS QUALITY PRODUCT.
BE SURE TO CHECK ALL PACKING MATERIAL CAREFULLY FOR SMALL PARTS
THAT MAY HAVE COME LOOSE INSIDE THE CARTON DURING TRANSIT.



PART LIST

NO.	DESC	SIZE(MM)	SKETCH	QTY
A	TOP	2000(2400)* 1000*130		1PC
B	LEGS	810*600*170		2PCS

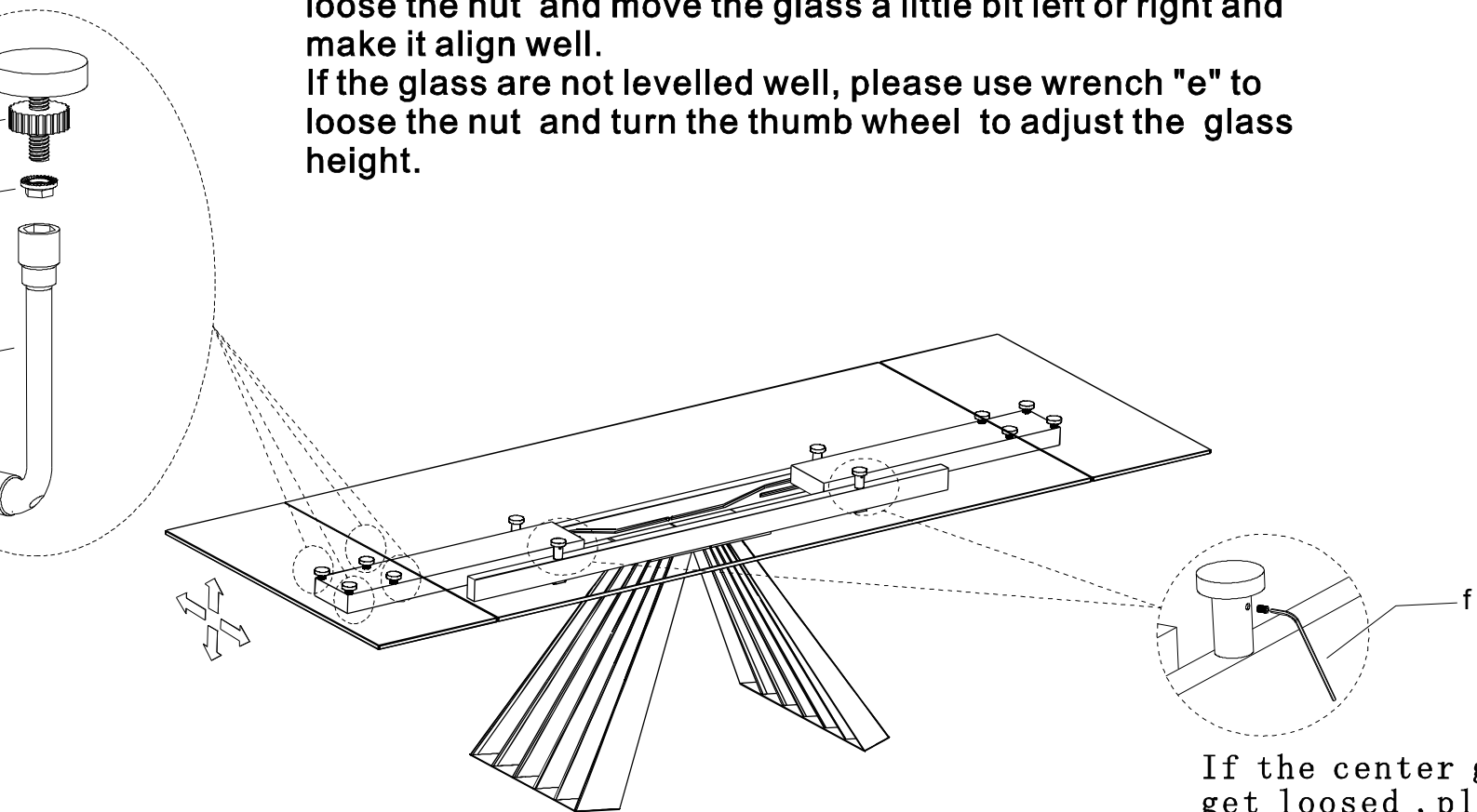
HARDWARE LIST

NO.	DESC	SIZE(MM)	SKETCH	QTY
a	SPANNER	5mm		1PC
b	SCREW	M8*20		12PCS
c	SPRING WASHER	Φ12*Φ9*2		12PCS
d	FLAT WASHER	Φ16*Φ9*1mm		12PCS
e	WRENCH	12mm		1PC
f	SPANNER	3mm		1PC
g		30*10mm		4PCS

MADE IN CHINA

If the glass are not aligned well, please use wrench "e" to loose the nut and move the glass a little bit left or right and make it align well.

If the glass are not levelled well, please use wrench "e" to loose the nut and turn the thumb wheel to adjust the glass height.



If the center
get loosed, pl
use wrench "f"
adjust the sma
inside the col
from the side v