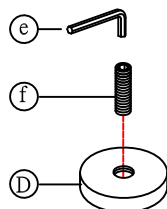


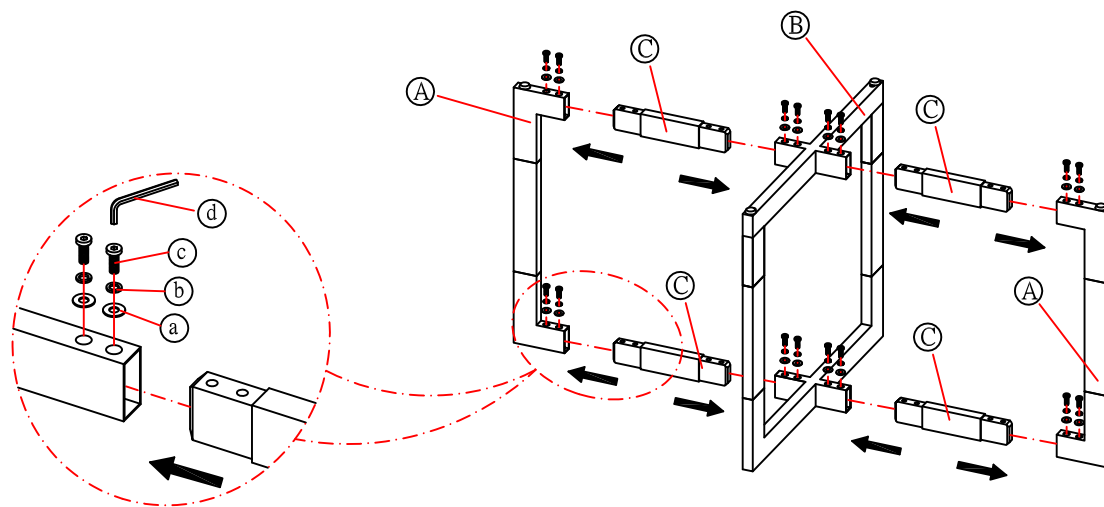


THANK YOU FOR PURCHASING THIS QUALITY PRODUCT.
BE SURE TO CHECK ALL PACKING MATERIAL CAREFULLY FOR SMALL PARTS THAT MAY HAVE COME LOOSE INSIDE THE CARTON DURING TRANSIT.

Step 1



Step 2



HARDWARE LIST:

NO	DESCRIPTION	SIZE(mm)	SKETCH	QTY
a	WASHER	ø8.5		12PCS
b	SPRING WASHER	ø8.5		12PCS
c	BOLT	M8x20		12PCS
d	ALLEN KEY	5		1PC
e	ALLEN KEY	3		1PC
f	SHORT SCREW	1/4"*20		4PCS

PARTS LIST:

NO	DESCRIPTION	SIZE(mm)	SKETCH	QTY
A	LEG	100*20*523		2PCS
B	LEG	570*135*523		1PC
C	POLE	25*50*225		4PCS
D	PUCK	ø38*12		4PCS



Step 3

FINISH

