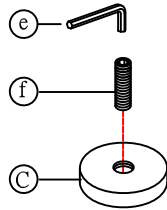




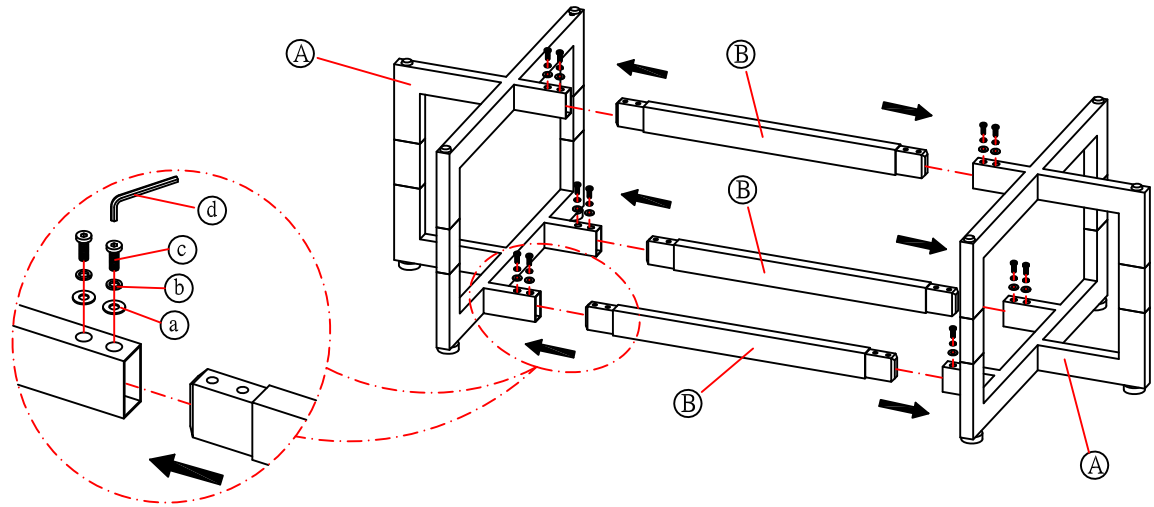
THANK YOU FOR PURCHASING THIS QUALITY PRODUCT.

BE SURE TO CHECK ALL PACKING MATERIAL CAREFULLY FOR SMALL PARTS THAT MAY HAVE COME LOOSE INSIDE THE CARTON DURING TRANSIT.

Step 1



Step 2



HARDWARE LIST:

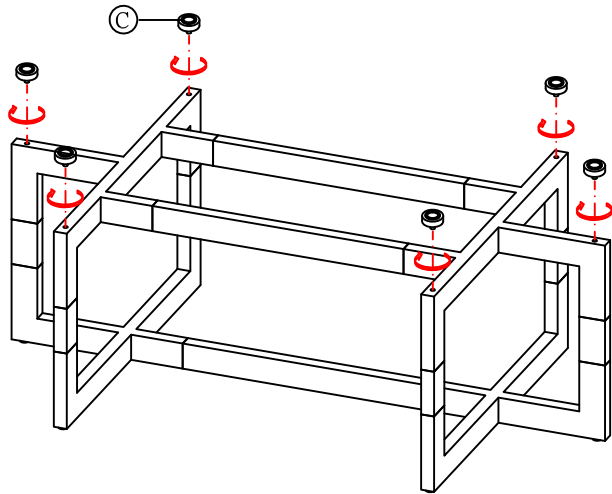
NO	DESCRIPTION	SIZE(mm)	SKETCH	QTY
a	WASHER	ø8.5		12PCS
b	SPRING WASHER	ø8.5		12PCS
c	BOLT	M8x20		12PCS
d	ALLEN KEY	5		1PC
e	ALLEN KEY	3		1PC
f	SHORT SCREW	1/4"*20		4PCS

PARTS LIST:

NO	DESCRIPTION	SIZE(mm)	SKETCH	QTY
A	LEG	332*650*393		2PCS
B	POLE	25*50*596		3PCS
C	PUCK	ø38*12		6PCS



Step 3



FINISH

