

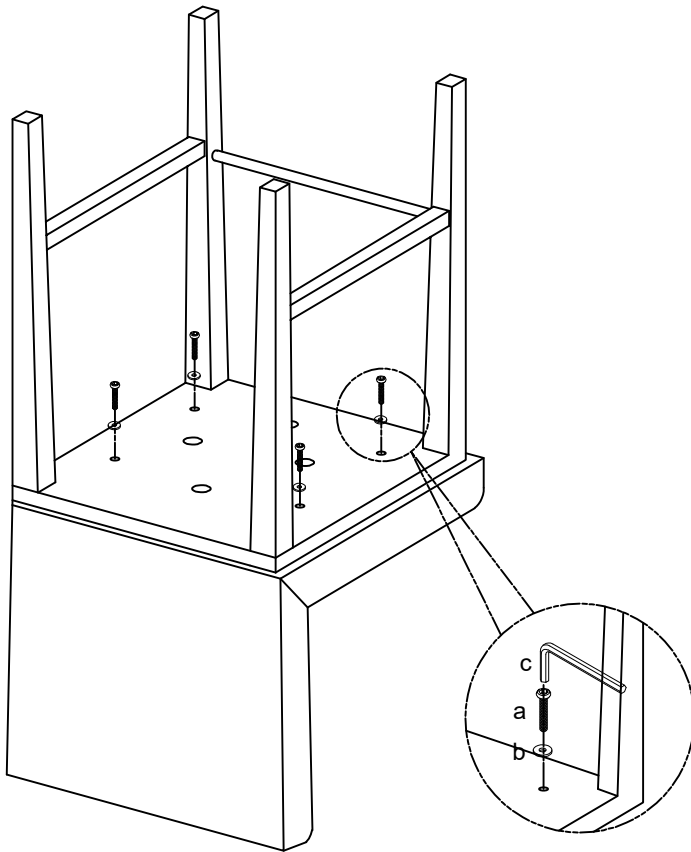


THANK YOU FOR PURCHASING THIS QUALITY PRODUCT.

BE SURE TO CHECK ALL PACKING MATERIAL CAREFULLY FOR SMALL PARTS THAT MAY HAVE COME LOOSE INSIDE THE CARTON DURING TRANSIT.

STEP 1

Place the seat on a soft cloth, then screwed the seat on the acrylic frame



PART LIST

NO	DESC	SIZE (MM)	SKETCH	QTY
A	Seat	D430xH680mm		1 PC
B	Acrylic frame	480x420x610		1 PC

HARDWARE LIST

NO	DESC	SIZE (MM)	SKETCH	QTY
a	Bolt	6x31.7mm		4PCS
b	Flat Washer	6x13mm		4PCS
c	Allen Key	4mm		1PC

FINISHED

