



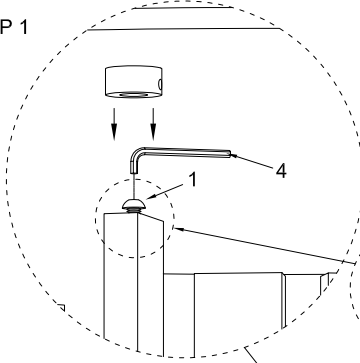
Chintaly Imports

ASSEMBLY INSTRUCTIONS

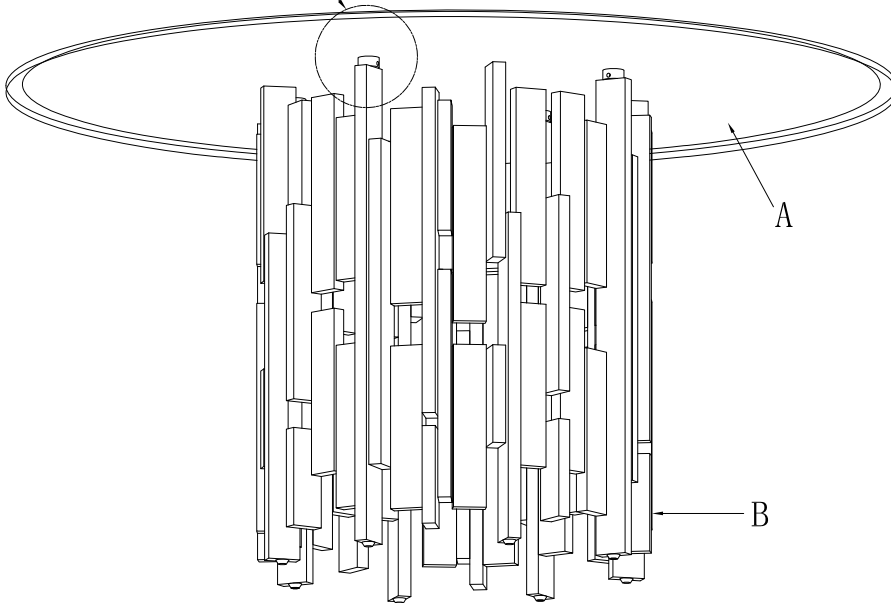
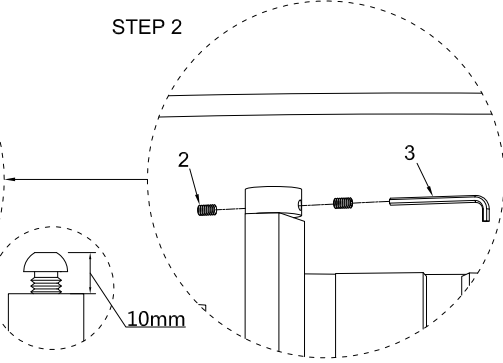
ITEM NO: VERONA-DT

THANK YOU FOR PURCHASING THIS QUALITY PRODUCT.
BE SURE TO CHECK ALL PACKING MATERIAL CAREFULLY FOR SMALL PARTS THAT MAY HAVE COME LOOSE INSIDE THE CARTON DURING TRANSIT.

STEP 1



STEP 2



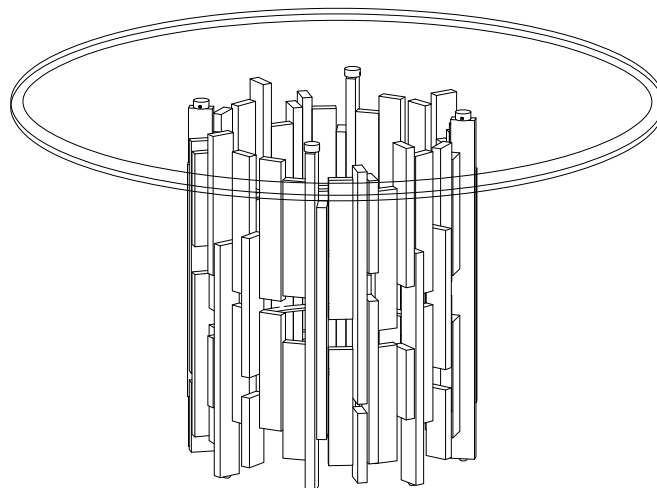
PART LIST

NO	DESC	SIZE (MM)	SKETCH	QTY
A		ø1350*12mm	TOP	1PC
B		ø600*736mm	BASE	1PC

HARDWARE LIST

NO	DESC	SIZE (MM)	SKETCH	QTY
1		M8*25mm	Bolt	4PC
2		M6*10mm	Bolt	8PC
3		3mm	Allen Key	1PC
4		5mm	Allen Key	1PC

FINISHED



MADE IN CHINA