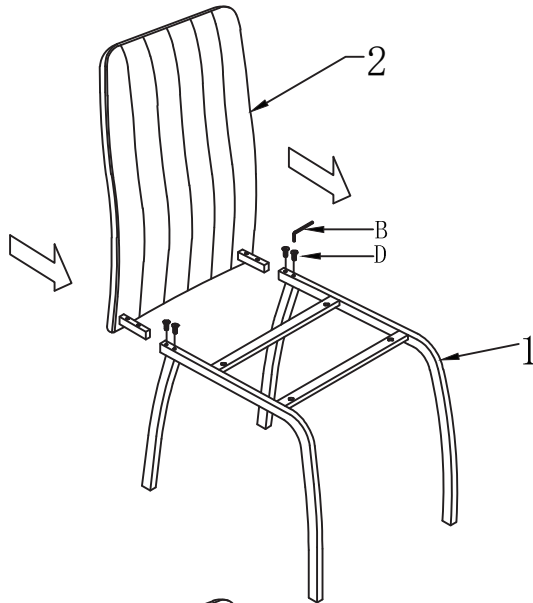




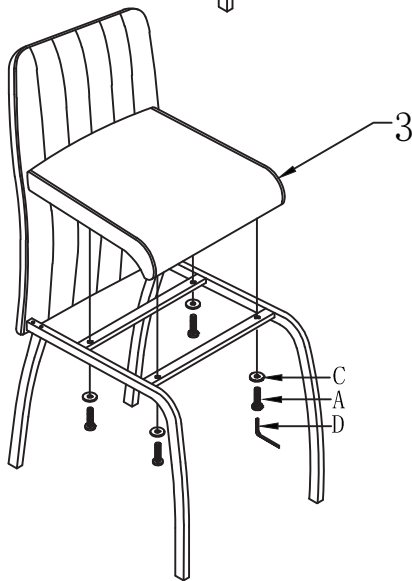
THANK YOU FOR PURCHASING THIS QUALITY PRODUCT.

BE SURE TO CHECK ALL PACKING MATERIAL CAREFULLY FOR SMALL PARTS THAT MAY HAVE COME LOOSE INSIDE THE CARTON DURING TRANSIT.

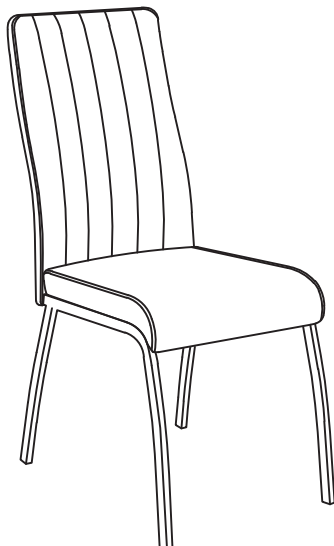
STEP 1



STEP 2



FINISHED



PART LIST

NO	DESC	SIZE (MM)	SKETCH	QTY
A	BACK	416X574 X206		1 PC
B	FRAME	440X530 X480		1PC
C	SEAT			1PC

HARDWARE LIST

NO	DESC	SIZE (MM)	SKETCH	QTY
a	SCREW	M6x35mm		4pcs
b	SCREW	M6x12mm		4pcs
c	SPRING WASHER	Ø18*Ø6*1.5mm		4pcs
d	SPANNER	4mm		4pcs