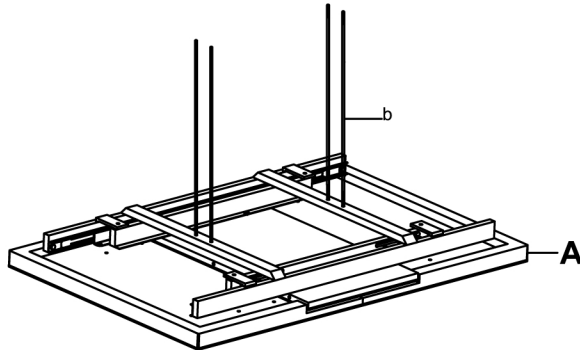




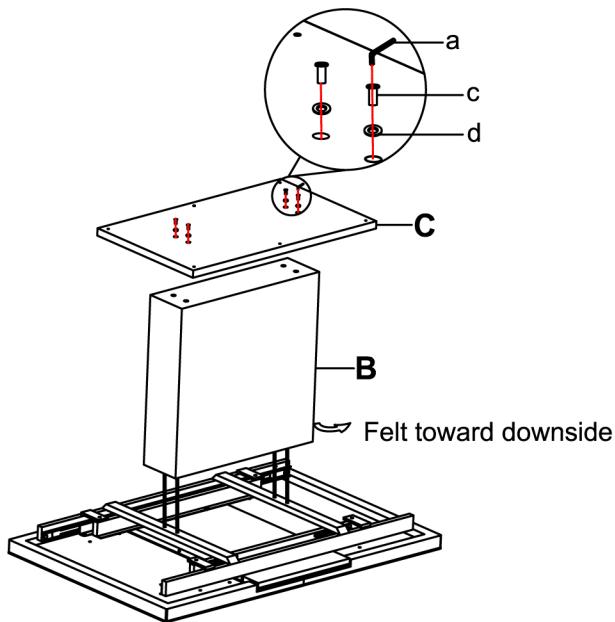
THANK YOU FOR PURCHASING THIS QUALITY PRODUCT.

BE SURE TO CHECK ALL PACKING MATERIAL CAREFULLY FOR SMALL PARTS THAT MAY HAVE COME LOOSE INSIDE THE CARTON DURING TRANSIT.

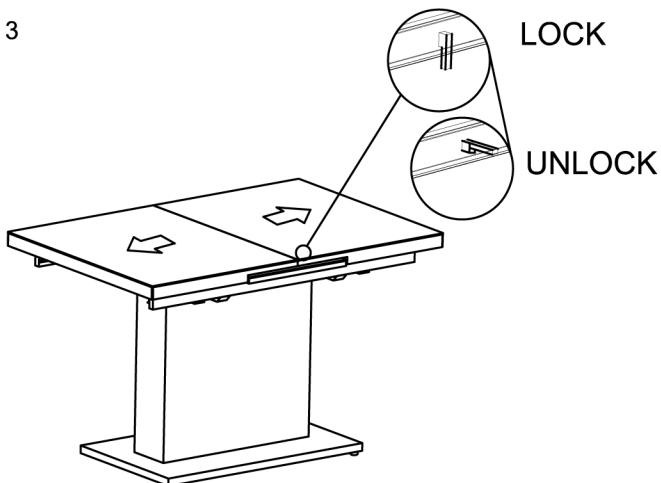
STEP 1



STEP 2



STEP 3



Lock before use

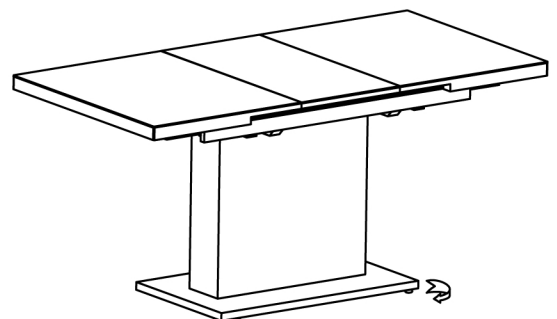
PART LIST

NO	DESC	SIZE (MM)	SKETCH	QTY
A	TOP	1200/1600X 800X127		1PC
B	Center Pillar	600X160X600		1PC
C	Base	800X485X26		1PC

HARDWARE LIST

NO	DESC	SIZE (MM)	SKETCH	QTY
a	SPANNER	5MM		1PC
b	LONG BOLT	M8x635		4PCS
c	NUT	M8		4PCS
d	FLAT WASHER	φ22×φ10.5×2.0		4PCS

FINISHED



Adjust the glides underneath to balance the table.